

**PLEASE CHECK WWW.MOLEX.COM FOR LATEST PART INFORMATION**

**Part Number:** [0483362003](#)  
**Status:** **Active**  
**Overview:** slimline serial ata odd connectors  
**Description:** 1.00mm (.039"), 1.27mm (.050") Pitch Slimline Serial ATA Receptacle, Right Angle, Reverse SMT with Clip, 0.76µm (30µ") Gold (Au) Plating, Mounted Height: 7.60mm (.299"), Lead free

**Documents:**

[3D Model](#) [Product Specification PS-48321-001 \(PDF\)](#)  
[Drawing \(PDF\)](#) [RoHS Certificate of Compliance \(PDF\)](#)

**Agency Certification**

CSA LR19980  
 UL E29179

**General**

Product Family PCB Receptacles  
 Series [48336](#)  
 Application Board-to-Board  
 Comments Reverse SMT Type, with Clip  
 Overview slimline serial ata odd connectors  
 Product Name Serial ATA, Slimline Serial ATA

**Physical**

Circuits (Loaded) 13  
 Circuits (maximum) 13  
 Color - Resin Black  
 Durability (mating cycles max) 500  
 Flammability 94V-0  
 Glow-Wire Compliant No  
 Guide to Mating Part Yes  
 Keying to Mating Part Yes  
 Lock to Mating Part No  
 Material - Metal Copper Alloy  
 Material - Plating Mating Gold  
 Material - Plating Termination Tin  
 Material - Resin High Temperature Thermoplastic  
 Number of Rows 1  
 Orientation Right Angle  
 PCB Locator No  
 PCB Retention Yes  
 Packaging Type Embossed Tape on Reel  
 Pitch - Mating Interface (in) 0.039 In, 0.050 In  
 Pitch - Mating Interface (mm) 1.00 mm, 1.27 mm  
 Pitch - Term. Interface (in) 0.039 In, 0.050 In  
 Pitch - Term. Interface (mm) 1.00 mm, 1.27 mm  
 Plating min: Mating (µin) 30  
 Plating min: Mating (µm) 0.76  
 Plating min: Termination (µin) 100  
 Plating min: Termination (µm) 2.54  
 Polarized to Mating Part Yes  
 Polarized to PCB Yes  
 Robotic Placement Pick and Place Cap  
 Stackable No  
 Temperature Range - Operating -40°C to +85°C  
 Termination Interface: Style Surface Mount

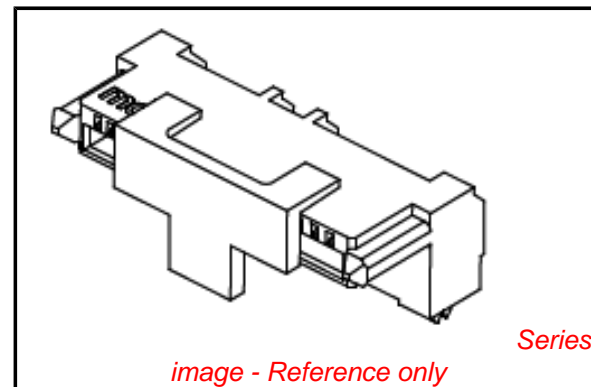


image - Reference only

**EU RoHS**

**ELV and RoHS Compliant**  
**REACH SVHC**  
 Not Reviewed  
**Halogen-Free Status**

**China RoHS**



**Need more information on product environmental compliance?**

Email [productcompliance@molex.com](mailto:productcompliance@molex.com)  
 For a multiple part number RoHS Certificate of Compliance, [click here](#)

Please visit the [Contact Us](#) section for any non-product compliance questions.

**Search Parts in this Series**

[48336Series](#)

**Mates With**

[473001xxx Slimline Serial ATA Plugs](#)

**Electrical**

Current - Maximum per Contact	1A
Grounding to PCB	Yes
Voltage - Maximum	15V (RMS)

**Solder Process Data**

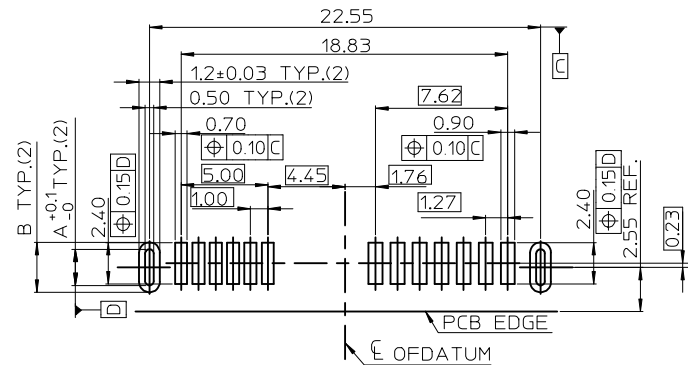
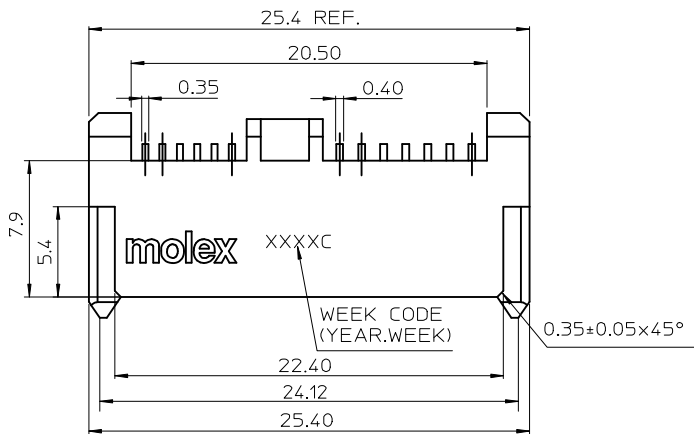
Duration at Max. Process Temperature (seconds)	8
Lead-free Process Capability	Reflow Capable (SMT only)
Max. Cycles at Max. Process Temperature	1
Process Temperature max. C	260

**Material Info****Reference - Drawing Numbers**

Packaging Specification	PK-48336-001
Product Specification	PS-48321-001, RPS-48336-001
Sales Drawing	SD-48336-001
Test Summary	TS-48336-203

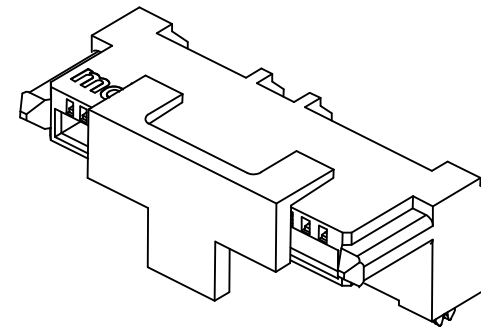
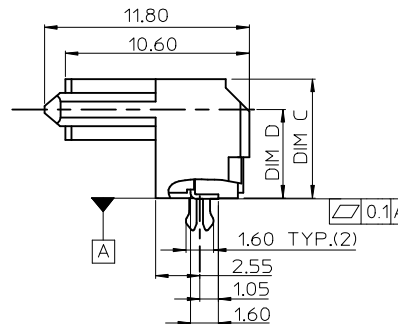
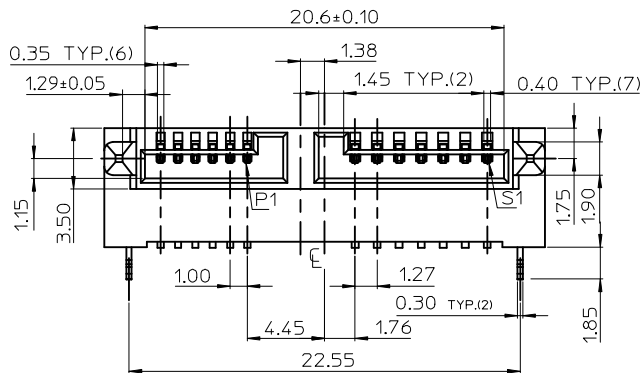
This document was generated on 05/31/2010

**PLEASE CHECK [WWW.MOLEX.COM](http://WWW.MOLEX.COM) FOR LATEST PART INFORMATION**



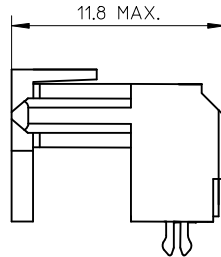
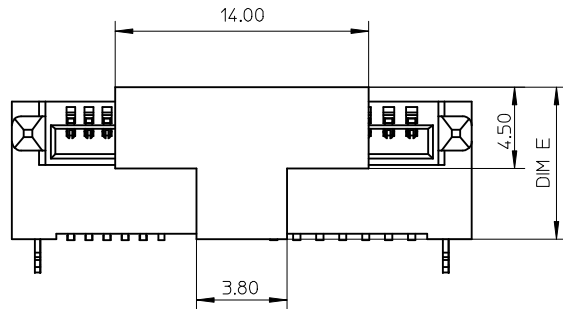
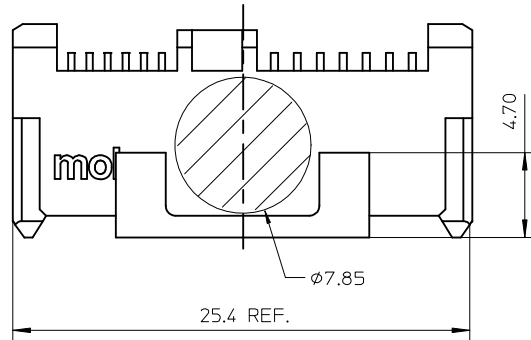
CLIP FUNCTION AVAIABLE		CLIP FUNCTION UNAVAILABLE	
DIM A	DIM B	DIM A	DIM B
1.40	2.10	1.75	2.45

RECOMMENDED PC BOARD LAYOUT  
TOLERANCE:  $\pm 0.05$ mm(TOP VIEW)



REVISE	DESCRIPTION	QUALITY SYMBOLS	GENERAL TOLERANCES (UNLESS SPECIFIED)		DIMENSION STYLE		SCALE	DESIGN UNITS	THIRD ANGLE PROJECTION	
			mm	INCH	MM ONLY		METRIC			
D	REV	▽=0 ◻=0	4 PLACES	± ---	± ---	DRAWN BY	DATE	TITLE		
			3 PLACES	± 0.10	± ---	LINDA	2008/7/25	SLIMLINE SATA RECEPTACLE REVERSE SMT TYPE WITH CLIP		
			2 PLACES	± 0.15	± ---	CHECKED BY	DATE	MOLEX MOLEX INCORPORATED		
			1 PLACE	± 0.25	± ---	DMZHANG02	2008/7/31			
			ANGULAR ± 3 °			APPROVED BY	DATE	DOCUMENT NO. SD-48336-001		
			DRAFT WHERE APPLICABLE MUST REMAIN WITHIN DIMENSIONS			HWWANG	2008/7/31			
			SEE TABLE			MATERIAL NO.		SHEET NO. 1 OF 2		
			THIS DRAWING CONTAINS INFORMATION THAT IS PROPRIETARY TO MOLEX INCORPORATED AND SHOULD NOT BE USED WITHOUT WRITTEN PERMISSION			SIZE				

P/N	PLATING OPTIONS	DIM C	DIM D	DIM E	WITHSTANDING MFG TEST
48336-1001	GOLD FLASH	7.10	5.35	7.90	NO
48336-1002	15 MICROINCH				NO
48336-1003	30 MICROINCH				YES
48336-2001	GOLD FLASH	7.60	5.85	8.40	NO
48336-2002	15 MICROINCH				NO
48336-2003	30 MICROINCH				YES



NOTES:

1.MATERIAL:

HOUSING :LIQUID CRYSTAL POLYMER,GLASS FIBER FILLED,  
UL94V-0,COLOR:BLACK.  
CAP: LIQUID CRYSTAL POLYMER,GLASS FIBER FILLED,  
UL94V-0, COLOR:IVORY.

TERMINAL:COPPER ALLOY.

CLIP:COPPER ALLOY.

2.PLATING:

TERMINAL:

CONTACT AREA:SEE TABLE  
SOLDER TAIL:MATTE TIN,THICKNESS=100 MICROINCH MIN/2.54 MICROMETER MIN.  
UNDER PLATE:NICKEL(NI),THICKNESS=50 MICROINCH MIN/1.27 MICROMETER MIN.  
CLIP:TIN(Sn),THICKNESS=100 MICROINCH MIN/2.54 MICROMETER MIN.

3. PICK & PLACE VACUUM AREA.

4.RECOMMENDED PCB THICKNESS:1.20±0.05mm

5.PRODUCT SPECIFICATION REFER TO PS-48321-001

6.TEST SUMMARY:

48336-1003 REFER TO TS-48336-103

48336-2003 REFER TO TS-48336-203

7.PACKAGING SPECIFICATION REFER TO PK-48336-001

8.LEAD FREE & RoHS COMPLIANT PRODUCT.

<b>REVISE</b> EC NO: SH2009-0783 DRW:NFYANG05 2009/07/21 CHK:DHHE 2009/07/22 APPR:RZHANG 2009/08/17	<b>DESCRIPTION</b> REV	<b>QUALITY SYMBOLS</b> =0 =0	<b>GENERAL TOLERANCES (UNLESS SPECIFIED)</b>		<b>DIMENSION STYLE</b> <b>MM ONLY</b>		<b>SCALE</b> <b>1:1</b>	<b>DESIGN UNITS</b> <b>METRIC</b>	<b>THIRD ANGLE PROJECTION</b>	
			mm	INCH	DRAWN BY LINDA	DATE 2008/7/25	<b>TITLE</b> <b>SLIMLINE SATA RECEPTACLE</b> <b>REVERSE SMT TYPE</b> <b>WITH CLIP</b>			
		4 PLACES ± --- ± --- 3 PLACES ± 0.10 ± --- 2 PLACES ± 0.15 ± --- 1 PLACE ± 0.25 ± ---			CHECKED BY DMZHANG02	DATE 2008/7/31				
				ANGULAR ± 3 °	APPROVED BY HWWANG		DATE 2008/7/31	<b>MOLEX INCORPORATED</b>		
		DRAFT WHERE APPLICABLE MUST REMAIN WITHIN DIMENSIONS	<b>SEE TABLE</b>		MATERIAL NO. SD-48336-001	DOCUMENT NO.	SHEET NO. 2 OF 2			