

## FEATURES

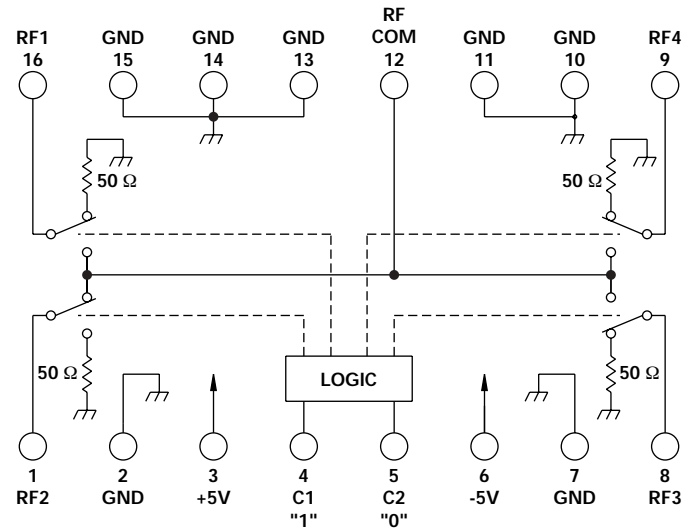
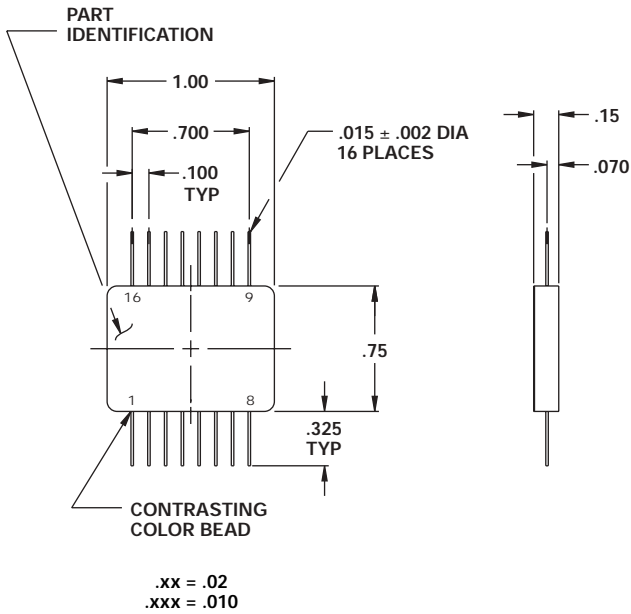
- 20 - 2800 MHz
- +46 dBm 3rd Order Intercept Point
- 100 nSec Switching Speed
- Flat Pack
- 43 dB Isolation



MODEL NO.  
150C8051

Switch SP4T

SP4T



LOGIC TABLE		
CONTROL INPUT		RF COM TO
C2	C1	
0	0	RF1
0	1	RF2
1	0	RF3
1	1	RF4

## GUARANTEED PERFORMANCE

Parameter	Min	Typ	Max	Units	Conditions
Operating Frequency	20		2800	MHz	
DC Current		7.10 0.15	20 10	mA	At +5 VDC Supply At -5 VDC Supply
Control Type		TTL			See Table
Control Current	High Low	±1.0 ±1.0	±10 ±10	µA	VIH = +2.7 V VIL = +0.5 V
Insertion Loss		1 1.2 1.8	1.5 2 2.5	dB	20 - 500 MHz 500 - 1000 MHz 1000 - 2800 MHz
Isolation	40	43		dB	
VSWR		Thru Termination 1.19/1 1.36/1	1.4/1 1.4/1		
Impedance		50		OHMS	
Switching Speed		30	100	nSec	50% TTL to 90% / 10% RF
Switching (Video) Transients		78		mV	Peak Value
Intercept Points	2nd 3rd	+60 +30	+77 +46	dBm	60 / 35 MHz 30 / 35 MHz
RF Power	Operate No Damage	+21	+20 +27	dBm	0.1 dB Compression
Operating Temperature	-20	+25	+70	°C	TA
Storage Temperature	-45		+85	°C	TA

