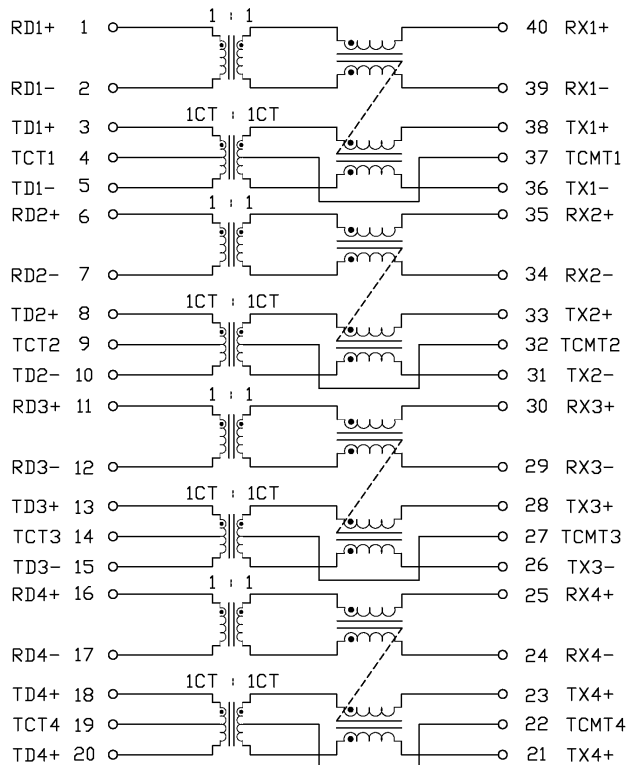


THE INFORMATION CONTAINED HEREIN IS CONSIDERED 'PROPRIETARY' TO BEL FUSE INC. AND SHALL NOT BE COPIED, REPRODUCED OR DISCLOSED WITHOUT THE WRITTEN APPROVAL OF BEL FUSE INC.

RoHS
2002/95/EC



SCHEMATIC



ELECTRICAL CHARACTERISTICS @ 25°C

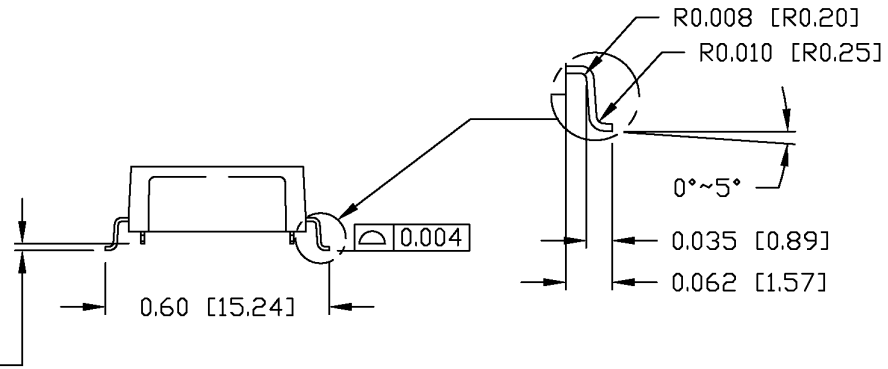
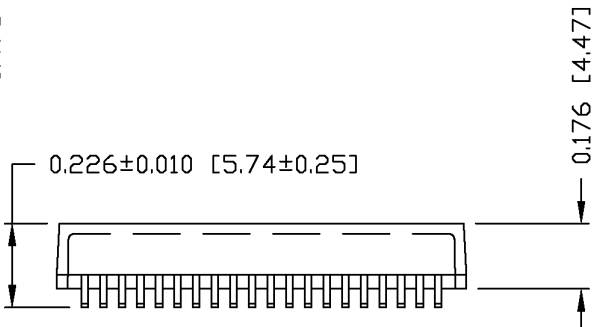
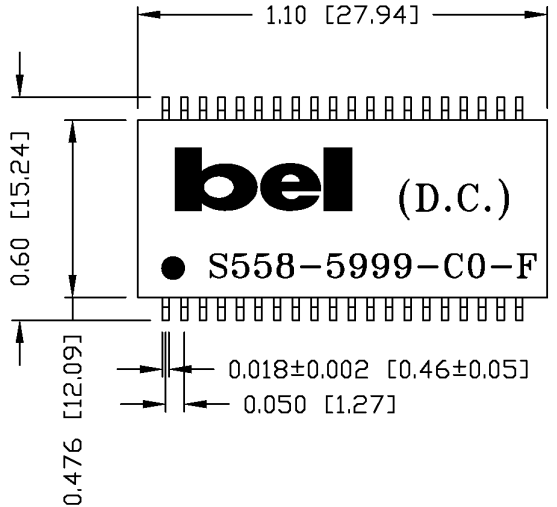
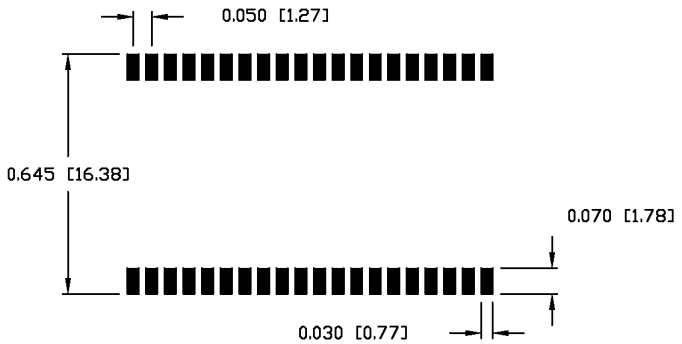
RD1+ 1	○	○	40	RX1+	URNS RATIO	
RD1- 2	○	○	39	RX1-	RX	1 : 1
TD1+ 3	○	○	38	TX1+	TX	1CT : 1CT
TCT1 4	○	○	37	TCMT1	PHASE	PER DOT CONVENTION
TD1- 5	○	○	36	TX1-	OCL	350μH MIN. @ 100kHz, 100mV WITH 8mA DC BIAS
RD2+ 6	○	○	35	RX2+	INSERTION LOSS	1.0dB MAX. @ 100kHz TO 80MHz
RD2- 7	○	○	34	RX2-	RETURN LOSS	20dB MIN. AT 2 TO 10MHz
TD2+ 8	○	○	33	TX2+	MEASURED UNDER	18dB MIN. AT 30MHz
TCT2 9	○	○	32	TCMT2	100Ω ENVIRONMENT	15dB MIN. AT 45MHz
TD2- 10	○	○	31	TX2-		12dB MIN. AT 60MHz
RD3+ 11	○	○	30	RX3+	COMMON TO DIFFERENTIAL	40dB MIN. AT 100kHz TO 100MHz
RD3- 12	○	○	29	RX3-	MODE REJECTION	
TD3+ 13	○	○	28	TX3+	COMMON TO COMMON	30dB MIN. AT 100kHz TO 100MHz
TCT3 14	○	○	27	TCMT3	MODE REJECTION	
TD3- 15	○	○	26	TX3-	CROSSTALK	35dB MIN. AT 100kHz TO 100MHz
RD4+ 16	○	○	25	RX4+	LEAKAGE INDUCTANCE	@ 1MHz, 20mV
RD4- 17	○	○	24	RX4-	Rx	200nH MAX. @ 1MHz, 20mV
TD4+ 18	○	○	23	TX4+	Tx	300nH MAX. @ 1MHz, 20mV
TCT4 19	○	○	22	TCMT4	HIPOT	PER HAND-WORK-03
TD4+ 20	○	○	21	TX4+		

ORIGINATED BY	DATE	TITLE	PART NO. / DRAWING NO.	STANDARD DIM.	[] METRIC DIM. AS REFERENCE	 COMPONENTS ON A CONNECTED PLANET	
HO	08-24-06	ELECTRICAL SPECIFICATION	X5585999C0-F	TOL. IN INCH	UNIT : INCH [mm]		REV. : A
DRAWN BY	DATE		FILE NAME	.X	SCALE : N/A		SIZE : A4
DQ Chen	08-24-06	S558-5999-C0-F	X5585999C0FA.DWG	.XX			PAGE : 2
				.XXX			

THE INFORMATION CONTAINED HEREIN IS CONSIDERED "PROPRIETARY" TO BEL FUSE INC. AND SHALL NOT BE COPIED, REPRODUCED OR DISCLOSED WITHOUT THE WRITTEN APPROVAL OF BEL FUSE INC.



SUGGESTED PCB PAD LAYOUT



NOTES:

- 1. STANDARD MARKING REFER TO DOC. HAND-WORK-04. 0.010[0.25] MIN.
- 2. PACKAGE CODE: "RRS001".

ORIGINATED BY	DATE	TITLE	PART NO. / DRAWING NO.	STANDARD DIM. TOL. IN INCH	[] METRIC DIM. AS REFERENCE
Lawrence	08-24-06	MECHANICAL OUTLINE	X5585999C0-F	.X	UNIT : INCH [mm] REV. : A
DRAWN BY	DATE	S558-5999-C0-F	FILE NAME	.XX ±0.01	SCALE : N/A SIZE : A4
DQ Chen	08-24-06		X5585999C0FA.DWG	.XXX ±0.005	PAGE : 3

