

# Z-POWER LED Series

## Technical Datasheet for X3218X



Z-Power series is designed for high current operation and high flux output applications.

Z-Power LED's thermal management perform exceeds other power LED solutions.

It incorporates state of the art SMD design and Thermal emission material.

Z Power LED is ideal light sources for general illumination applications, custom designed solutions, automotive large LCD backlights

DataSheet4U.com

### Features

- Super high Flux output and high Luminance
- Designed for high current operation
- Low thermal resistance
- SMT solderability
- Lead Free product
- RoHS compliant

### Application

- Mobile phone flash
- Automotive interior / exterior lighting
- Automotive signal lighting
- Automotive forward lighting
- General Torch
- Architectural lighting
- LCD TV / Monitor Backlight
- Projector light source
- Traffic signals
- Task lighting
- Decorative / Pathway lighting
- Remote / Solar powered lighting
- Household appliances

DataShe

## Full Code of Z-Power LED Series

Full code form :  $X_1 X_2 X_3 X_4 X_5 X_6 - X_7 X_8 - X_9 X_{10} X_{11} X_{12} X_{13}$

### 1. Part Number

- $X_1$  : Color
- $X_2$  : Z-Power LED series number
- $X_3$  : LENS type
- $X_4$  : Chip quantity (or Power Dissipation)
- $X_5$  : Package outline size
- $X_6$  : Type of PCB

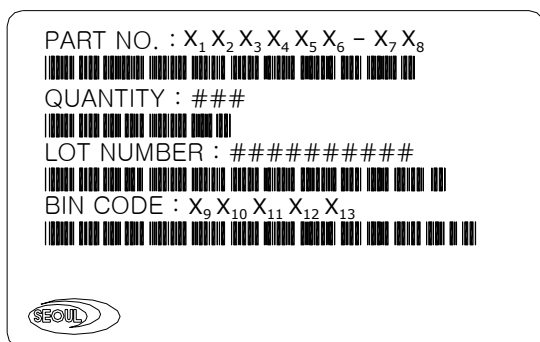
### 2. Internal Number

- $X_7$
- $X_8$

### 3. Code Labeling

- $X_9$  : Luminous flux (or Radiant flux for royal blue)
- $X_{10} X_{11} X_{12}$  : Dominant wavelength (or x,y coordinates rank code)
- $X_{13}$  : Forward voltage

### 4. Sticker Diagram on Reel & Aluminum Vinyl Bag

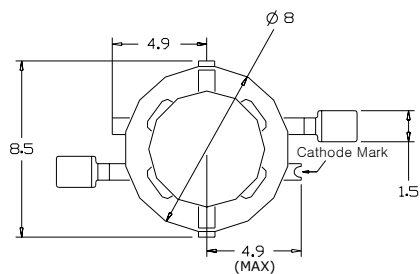


For more information about binning and labeling, refer to the Application Note -1

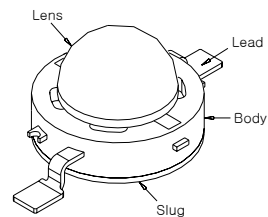
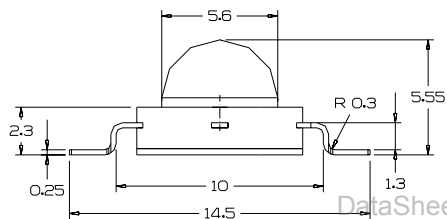
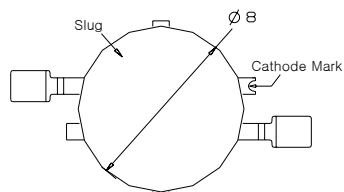
## Outline Dimensions

### 1. Dome Type

TOP VIEW



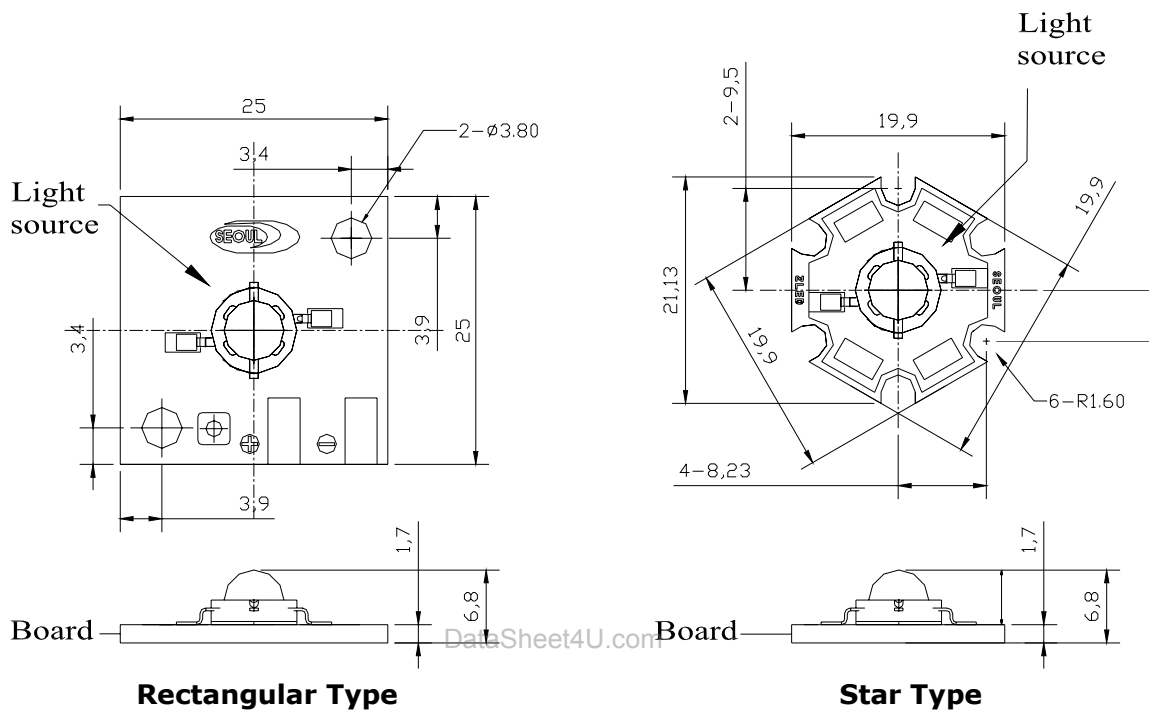
BOTTOM VIEW



Notes :

1. All dimensions are in millimeters.
2. Scale : none
3. This drawing without tolerances are for reference only
4. Slug of package is connected to anode.

## PCB Type Outline Dimensions



### Notes :

1. All dimensions are in millimeters.
2. Scale : none
3. This drawing without tolerances are for reference only

## Characteristics for Dome type Z-Power LED

### 1. Pure White

1-1 Electro-Optical characteristics at  $I_F=350\text{mA}$ ,  $T_A=25^\circ\text{C}$

Parameter	Symbol	Value			Unit
		Min	Typ	Max	
Luminous Flux <sup>[1]</sup>	$\Phi_V$ <sup>[2]</sup>	32	52	-	lm
Correlated Color Temperature <sup>[3]</sup>	CCT	-	6500	-	K
CRI	$R_a$	65	70	-	-
Forward Voltage <sup>[4]</sup>	$V_F$	3.0	3.5	4.0	V
View Angle	$2\theta$ 1/2	120			deg.
Thermal resistance <sup>[5]</sup>	$R_{\theta_{J-B}}$	9			$^\circ\text{C}/\text{W}$

1-2 Absolute Maximum Ratings

Parameter	Symbol	Value	Unit
Forward Current	$I_F$	0.4	A
Power Dissipation	$P_D$	1.6	W
Junction Temperature	$T_j$	125	$^\circ\text{C}$
Operating Temperature	$T_{opr}$	-30 ~ +85	$^\circ\text{C}$
Storage Temperature	$T_{stg}$	-40 ~ +120	$^\circ\text{C}$
ESD Sensitivity <sup>[6]</sup>	-	$\pm 20,000\text{V}$ HBM	-

\*Notes :

- [1] SSC maintains a tolerance of  $\pm 10\%$  on flux and power measurements.
- [2]  $\Phi_V$  is the total luminous flux output as measured with an integrated sphere.
- [3] Correlated Color Temperature is derived from the CIE 1931 Chromaticity diagram.  
CCT  $\pm 5\%$  tester tolerance
- [4] A tolerance of  $\pm 0.06\text{V}$  on forward voltage measurements
- [5]  $R_{\theta_{J-B}}$  is measured with a SSC metal core pcb. ( $25^\circ\text{C} \leq T_j \leq 110^\circ\text{C}$ )  
Break voltage of Metal PCB is 6.5kVAC
- [6] It is included the zener chip to protect the product from ESD.

\* Caution

1. Please do not drive at rated current more than 5 sec. without proper heat sink

## 2. Warm White

2-1 Electro-Optical characteristics at  $I_F=350\text{mA}$ ,  $T_A=25^\circ\text{C}$

Parameter	Symbol	Value			Unit
		Min	Typ	Max	
Luminous Flux <sup>[1]</sup>	$\Phi_V$ <sup>[2]</sup>	24.5	35	-	lm
Correlated Color Temperature <sup>[3]</sup>	CCT	-	3000	-	K
CRI <sup>[4]</sup>	$R_a$	75	80	-	-
Forward Voltage <sup>[5]</sup>	$V_F$	3.0	3.5	4.0	V
View Angle	$2\theta$ 1/2	120			deg.
Thermal resistance <sup>[6]</sup>	$R\theta_{J-B}$	9			$^\circ\text{C}/\text{W}$

2-2 Absolute Maximum Ratings

Parameter	Symbol	Value	Unit
Forward Current	$I_F$	0.4	A
Power Dissipation	$P_D$	1.6	W
Junction Temperature	$T_j$	125	$^\circ\text{C}$
Operating Temperature	$T_{opr}$	-30 ~ +85	$^\circ\text{C}$
Storage Temperature	$T_{stg}$	-40 ~ +120	$^\circ\text{C}$
ESD Sensitivity <sup>[7]</sup>	-	$\pm 20,000\text{V}$ HBM	-

\*Notes :

- [1] SSC maintains a tolerance of  $\pm 10\%$  on flux and power measurements.
- [2]  $\Phi_V$  is the total luminous flux output as measured with an integrated sphere.
- [3] Correlated Color Temperature is derived from the CIE 1931 Chromaticity diagram.  
CCT  $\pm 5\%$  tester tolerance
- [4] A tolerance of  $\pm 0.06\text{V}$  on forward voltage measurements
- [5]  $R\theta_{J-B}$  is measured with a SSC metal core pcb. ( $25^\circ\text{C} \leq T_j \leq 110^\circ\text{C}$ )  
Break voltage of Metal PCB is 6.5kVAC
- [6] It is included the zener chip to protect the product from ESD.

\* **Caution**

1. Please do not drive at rated current more than 5 sec. without proper heat sink

### 3. Royal Blue

3-1 Electro-Optical characteristics at  $I_F=350\text{mA}$ ,  $T_A=25^\circ\text{C}$

Parameter	Symbol	Value			Unit
		Min	Typ	Max	
Radiant Flux <sup>[1]</sup>	$\Phi_V$ <sup>[2]</sup>	80	255	-	mW
Dominant Wavelength <sup>[3]</sup>	$\lambda_D$	455	460	465	nm
Forward Voltage <sup>[4]</sup>	$V_F$	3.0	3.5	4.0	V
View Angle	$2\theta$ 1/2	130			deg.
Thermal Resistance <sup>[5]</sup>	$R_{\theta_{J-B}}$	9			$^\circ\text{C}/\text{W}$

3-2 Absolute Maximum Ratings

Parameter	Symbol	Value	Unit
Forward Current	$I_F$	0.4	A
Power Dissipation	$P_D$	1.6	W
Junction Temperature	$T_j$	125	$^\circ\text{C}$
Operating Temperature	$T_{opr}$	-30 ~ +85	$^\circ\text{C}$
Storage Temperature	$T_{stg}$	-40 ~ +120	$^\circ\text{C}$
ESD Sensitivity <sup>[6]</sup>		$\pm 20,000\text{V}$ HBM	-

\*Notes :

- [1] SSC maintains a tolerance of  $\pm 10\%$  on flux and power measurements. Royal Blue product is binned by radiometric power rather than photometric lumens.
- [2]  $\Phi_V$  is the total luminous flux output as measured with an integrated sphere.
- [3] Dominant wavelength is derived from the CIE 1931 Chromaticity diagram.  
A tolerance of  $\pm 0.5\text{nm}$  for dominant wavelength
- [4] A tolerance of  $\pm 0.06\text{V}$  on forward voltage measurements
- [5]  $R_{\theta_{J-B}}$  is measured with a SSC metal core pcb. ( $25^\circ\text{C} \leq T_j \leq 110^\circ\text{C}$ )  
Break voltage of Metal PCB is 6.5kVAC
- [6] It is included the zener chip to protect the product from ESD.

\* Caution

1. Please do not drive at rated current more than 5 sec. without proper heat sink
2. Blue power light sources represented here are IEC825 Class 2 for eye safety

## 4. Blue

4-1 Electro-Optical characteristics at  $I_F=350\text{mA}$ ,  $T_A=25^\circ\text{C}$

Parameter	Symbol	Value			Unit
		Min	Typ	Max	
Luminous Flux <sup>[1]</sup>	$\Phi_V$ <sup>[2]</sup>	6	11	-	lm
Dominant Wavelength <sup>[3]</sup>	$\lambda_D$	455	460	475	nm
Forward Voltage <sup>[4]</sup>	$V_F$	3.0	3.5	4.0	V
View Angle	$2\theta$ 1/2	130			deg.
Thermal Resistance <sup>[5]</sup>	$R_{\theta_{J-B}}$	9			$^\circ\text{C}/\text{W}$

4-2 Absolute Maximum Ratings

Parameter	Symbol	Value	Unit
Forward Current	$I_F$	0.4	A
Power Dissipation	$P_D$	1.6	W
Junction Temperature	$T_j$	125	$^\circ\text{C}$
Operating Temperature	$T_{opr}$	-30 ~ +85	$^\circ\text{C}$
Storage Temperature	$T_{stg}$	-40 ~ +120	$^\circ\text{C}$
ESD Sensitivity <sup>[6]</sup>		$\pm 20,000\text{V}$ HBM	-

\*Notes :

- [1] SSC maintains a tolerance of  $\pm 10\%$  on flux and power measurements.
- [2]  $\Phi_V$  is the total luminous flux output as measured with an integrated sphere.
- [3] Dominant wavelength is derived from the CIE 1931 Chromaticity diagram.  
A tolerance of  $\pm 0.5\text{nm}$  for dominant wavelength
- [4] A tolerance of  $\pm 0.06\text{V}$  on forward voltage measurements
- [5]  $R_{\theta_{J-B}}$  is measured with a SSC metal core pcb. ( $25^\circ\text{C} \leq T_j \leq 110^\circ\text{C}$ )  
Break voltage of Metal PCB is 6.5kVAC
- [6] It is included the zener chip to protect the product from ESD.

\* Caution

1. Please do not drive at rated current more than 5 sec. without proper heat sink
2. Blue power light sources represented here are IEC825 Class 2 for eye safety



## 5. Cyan

5-1 Electro-Optical characteristics at  $I_F=350\text{mA}$ ,  $T_A=25^\circ\text{C}$

Parameter	Symbol	Value			Unit
		Min	Typ	Max	
Luminous Flux <sup>[1]</sup>	$\Phi_V$ <sup>[2]</sup>	24.5	40	-	lm
Dominant Wavelength <sup>[3]</sup>	$\lambda_D$	500	505	510	nm
Forward Voltage <sup>[4]</sup>	$V_F$	3.0	3.5	4.0	V
View Angle	$2\theta$ 1/2	130			deg.
Thermal Resistance <sup>[5]</sup>	$R_{\theta_{J-B}}$	9			$^\circ\text{C}/\text{W}$

5-2 Absolute Maximum Ratings

Parameter	Symbol	Value	Unit
Forward Current	$I_F$	0.4	A
Power Dissipation	$P_D$	1.6	W
Junction Temperature	$T_j$	125	$^\circ\text{C}$
Operating Temperature	$T_{opr}$	-30 ~ +85	$^\circ\text{C}$
Storage Temperature	$T_{stg}$	-40 ~ +120	$^\circ\text{C}$
ESD Sensitivity <sup>[6]</sup>		$\pm 20,000\text{V}$ HBM	-

\*Notes :

- [1] SSC maintains a tolerance of  $\pm 10\%$  on flux and power measurements.
- [2]  $\Phi_V$  is the total luminous flux output as measured with an integrated sphere.
- [3] Dominant wavelength is derived from the CIE 1931 Chromaticity diagram.  
A tolerance of  $\pm 0.5\text{nm}$  for dominant wavelength
- [4] A tolerance of  $\pm 0.06\text{V}$  on forward voltage measurements
- [5]  $R_{\theta_{J-B}}$  is measured with a SSC metal core pcb. ( $25^\circ\text{C} \leq T_j \leq 110^\circ\text{C}$ )  
Break voltage of Metal PCB is 6.5kVAC
- [6] It is included the zener chip to protect the product from ESD.

\* **Caution**

1. Please do not drive at rated current more than 5 sec. without proper heat sink

## 6. Green

### 6-1 Electro-Optical characteristics at $I_F=350\text{mA}$ , $T_A=25^\circ\text{C}$

Parameter	Symbol	Value			Unit
		Min	Typ	Max	
Luminous Flux <sup>[1]</sup>	$\Phi_V$ <sup>[2]</sup>	24.5	48	-	lm
Dominant Wavelength <sup>[3]</sup>	$\lambda_D$	520	527	535	nm
Forward Voltage <sup>[4]</sup>	$V_F$	3.0	3.5	4.0	V
View Angle	$2\theta$ 1/2	130			deg.
Thermal Resistance <sup>[5]</sup>	$R_{\theta_{J-B}}$	9			$^\circ\text{C}/\text{W}$

### 6-2 Absolute Maximum Ratings

Parameter	Symbol	Value	Unit
Forward Current	$I_F$	0.4	A
Power Dissipation	$P_D$	1.6	W
Junction Temperature	$T_j$	125	$^\circ\text{C}$
Operating Temperature	$T_{opr}$	-30 ~ +85	$^\circ\text{C}$
Storage Temperature	$T_{stg}$	-40 ~ +120	$^\circ\text{C}$
ESD Sensitivity <sup>[6]</sup>		$\pm 20,000\text{V}$ HBM	-

#### \*Notes :

- [1] SSC maintains a tolerance of  $\pm 10\%$  on flux and power measurements.
- [2]  $\Phi_V$  is the total luminous flux output as measured with an integrated sphere.
- [3] Dominant wavelength is derived from the CIE 1931 Chromaticity diagram.  
A tolerance of  $\pm 0.5\text{nm}$  for dominant wavelength
- [4] A tolerance of  $\pm 0.06\text{V}$  on forward voltage measurements
- [5]  $R_{\theta_{J-B}}$  is measured with a SSC metal core pcb. ( $25^\circ\text{C} \leq T_j \leq 110^\circ\text{C}$ )  
Break voltage of Metal PCB is 6.5kVAC
- [6] It is included the zener chip to protect the product from ESD.

#### \* Caution

1. Please do not drive at rated current more than 5 sec. without proper heat sink

## 7. Amber

7-1 Electro-Optical characteristics at  $I_F=350\text{mA}$ ,  $T_A=25^\circ\text{C}$

Parameter	Symbol	Value			Unit
		Min	Typ	Max	
Luminous Flux [1]	$\Phi_V$ [2]	24.5	38	-	lm
Dominant Wavelength [3]	$\lambda_D$	585	590	595	nm
Forward Voltage [4]	$V_F$	2.0	2.5	3.0	V
View Angle	$2\theta$ 1/2	128			deg.
Thermal Resistance [5]	$R_{\theta_{J-B}}$	13			$^\circ\text{C}/\text{W}$

7-2 Absolute Maximum Ratings

Parameter	Symbol	Value	Unit
Forward Current	$I_F$	0.4	A
Power Dissipation	$P_D$	1.2	W
Junction Temperature	$T_j$	100	$^\circ\text{C}$
Operating Temperature	$T_{opr}$	-30 ~ +85	$^\circ\text{C}$
Storage Temperature	$T_{stg}$	-40 ~ +120	$^\circ\text{C}$
ESD Sensitivity [6]		$\pm 20,000\text{V}$ HBM	-

\*Notes :

- [1] SSC maintains a tolerance of  $\pm 10\%$  on flux and power measurements.
- [2]  $\Phi_V$  is the total luminous flux output as measured with an integrated sphere.
- [3] Dominant wavelength is derived from the CIE 1931 Chromaticity diagram.  
A tolerance of  $\pm 0.5\text{nm}$  for dominant wavelength
- [4] A tolerance of  $\pm 0.06\text{V}$  on forward voltage measurements
- [5]  $R_{\theta_{J-B}}$  is measured with a SSC metal core pcb. ( $25^\circ\text{C} \leq T_j \leq 110^\circ\text{C}$ )  
Break voltage of Metal PCB is 6.5kVAC
- [6] It is included the zener chip to protect the product from ESD.

\* **Caution**

1. Please do not drive at rated current more than 5 sec. without proper heat sink

## 8. Red

8-1 Electro-Optical characteristics at  $I_F=350\text{mA}$ ,  $T_A=25^\circ\text{C}$

Parameter	Symbol	Value			Unit
		Min	Typ	Max	
Luminous Flux <sup>[1]</sup>	$\Phi_V$ <sup>[2]</sup>	24.5	30	-	lm
Dominant Wavelength <sup>[3]</sup>	$\lambda_D$	618	625	632	nm
Forward Voltage <sup>[4]</sup>	$V_F$	2.0	2.5	3.0	V
View Angle	$2\theta$ 1/2	128			deg.
Thermal Resistance <sup>[5]</sup>	$R_{\theta_{J-B}}$	13			$^\circ\text{C}/\text{W}$

8-2 Absolute Maximum Ratings

Parameter	Symbol	Value	Unit
Forward Current	$I_F$	0.4	A
Power Dissipation	$P_D$	1.2	W
Junction Temperature	$T_j$	100	$^\circ\text{C}$
Operating Temperature	$T_{opr}$	-30 ~ +85	$^\circ\text{C}$
Storage Temperature	$T_{stg}$	-40 ~ +120	$^\circ\text{C}$
ESD Sensitivity <sup>[6]</sup>		$\pm 20,000\text{V}$ HBM	-

\*Notes :

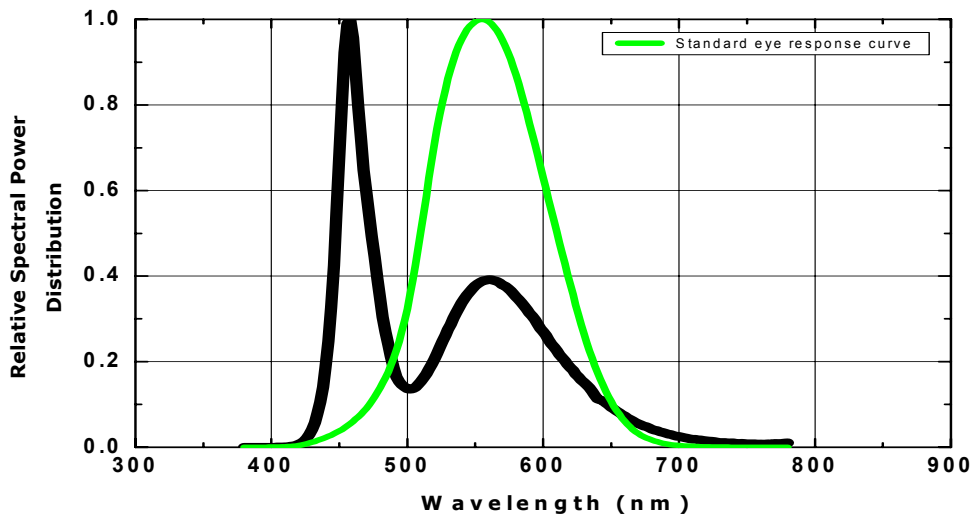
- [1] SSC maintains a tolerance of  $\pm 10\%$  on flux and power measurements.
- [2]  $\Phi_V$  is the total luminous flux output as measured with an integrated sphere.
- [3] Dominant wavelength is derived from the CIE 1931 Chromaticity diagram.  
A tolerance of  $\pm 0.5\text{nm}$  for dominant wavelength
- [4] A tolerance of  $\pm 0.06\text{V}$  on forward voltage measurements
- [5]  $R_{\theta_{J-B}}$  is measured with a SSC metal core pcb. ( $25^\circ\text{C} \leq T_j \leq 110^\circ\text{C}$ )  
Break voltage of Metal PCB is 6.5kVAC
- [6] It is included the zener chip to protect the product from ESD.

\* **Caution**

1. Please do not drive at rated current more than 5 sec. without proper heat sink

## White color Spectrum, $T_A=25^{\circ}\text{C}$

### 1. Pure White

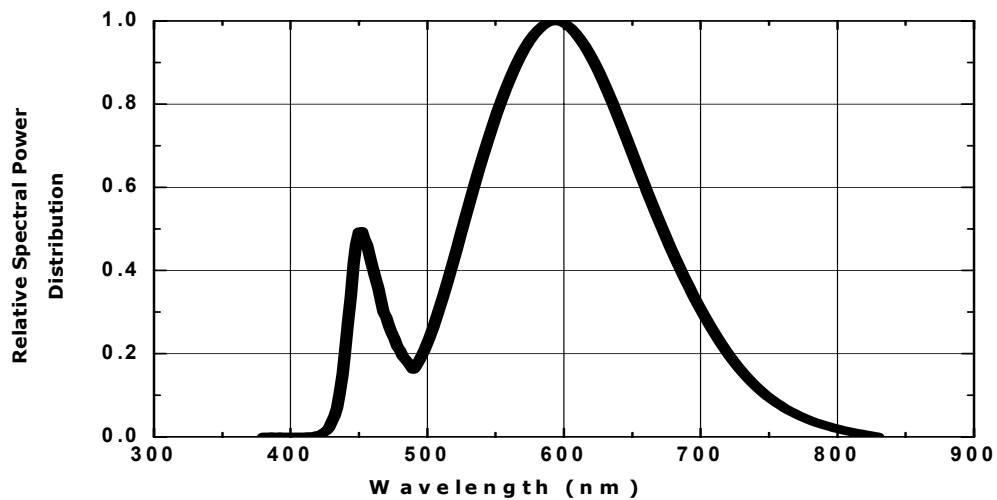


et4U.com

DataSheet4U.com

DataShe

### 2. Warm White



DataSheet4U.com

Power  
ZLED  
www.DataSheet4U.com



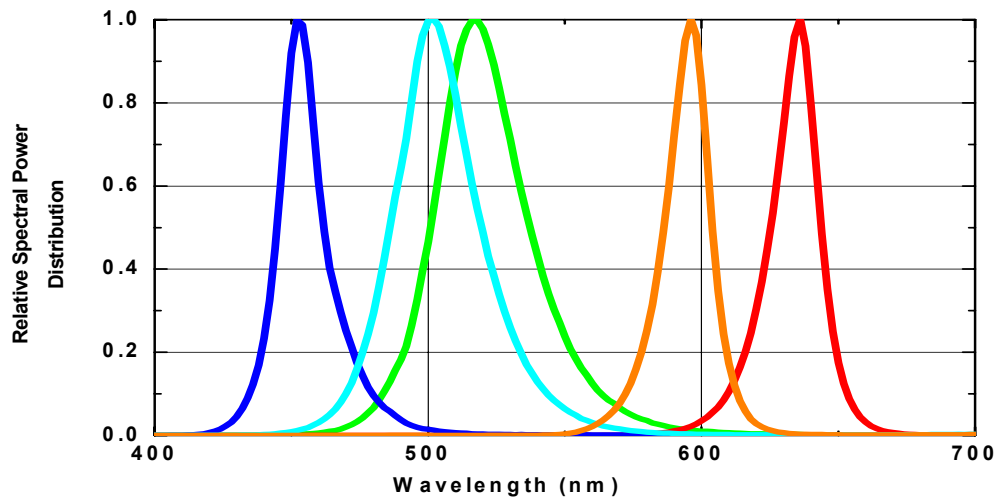
SEOUL SEMICONDUCTOR CO.,LTD

Rev 01 - 2005 / 09  
www.zpowerled.com

13

DataSheet4U.com

### 3. Blue, Cyan, Green, Amber, Red



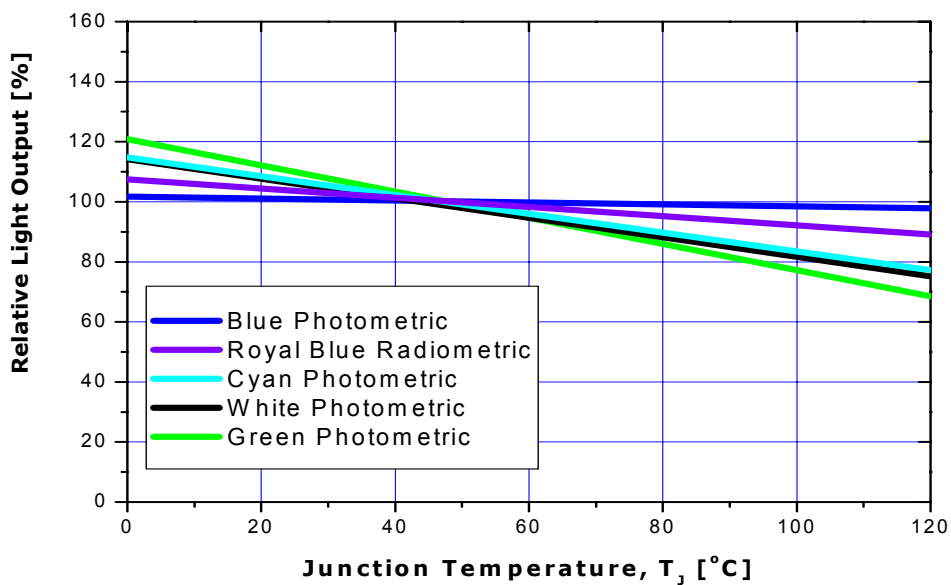
et4U.com

DataSheet4U.com

DataShe

## Light Output Characteristics

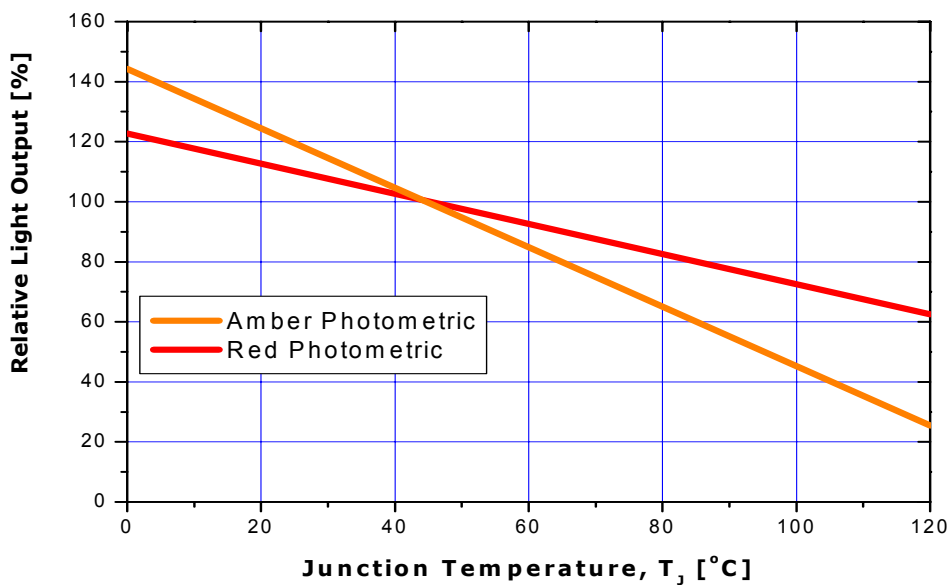
### 1. Relative Light Output vs. Junction Temperature at $I_F=350\text{mA}$ , $T_A=25^\circ\text{C}$



et4U.com

DataSheet4U.com

DataShe



DataSheet4U.com

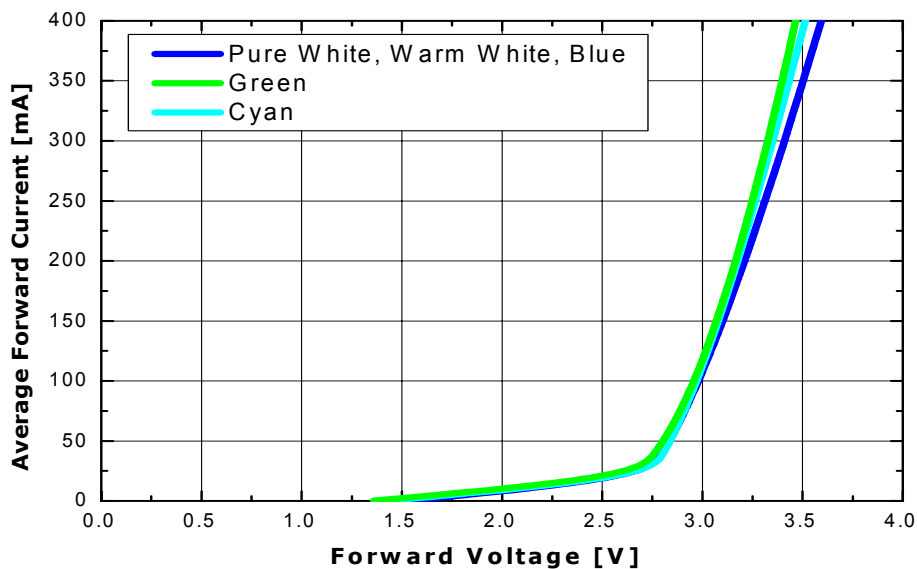
  
www.DataSheet4U.com

**SEOUL SEMICONDUCTOR CO.,LTD**

 Rev 01 - 2005 / 09  
 www.zpowerled.com

## Forward Current Characteristics

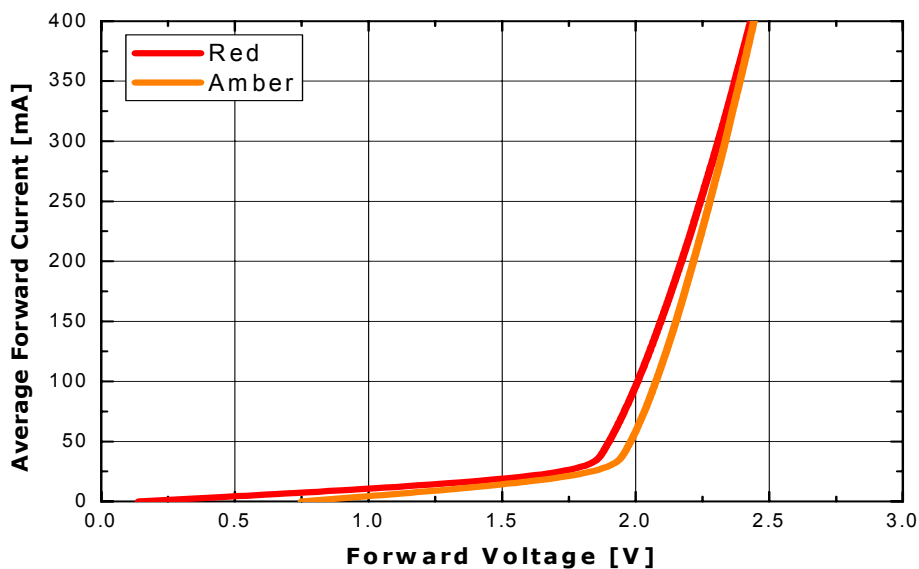
### 1. Forward Voltage vs. Forward Current, $T_A=25^\circ\text{C}$



et4U.com

DataSheet4U.com

DataShe



DataSheet4U.com

Power  
Z-LED  
www.DataSheet4U.com



SEOUL SEMICONDUCTOR CO.,LTD

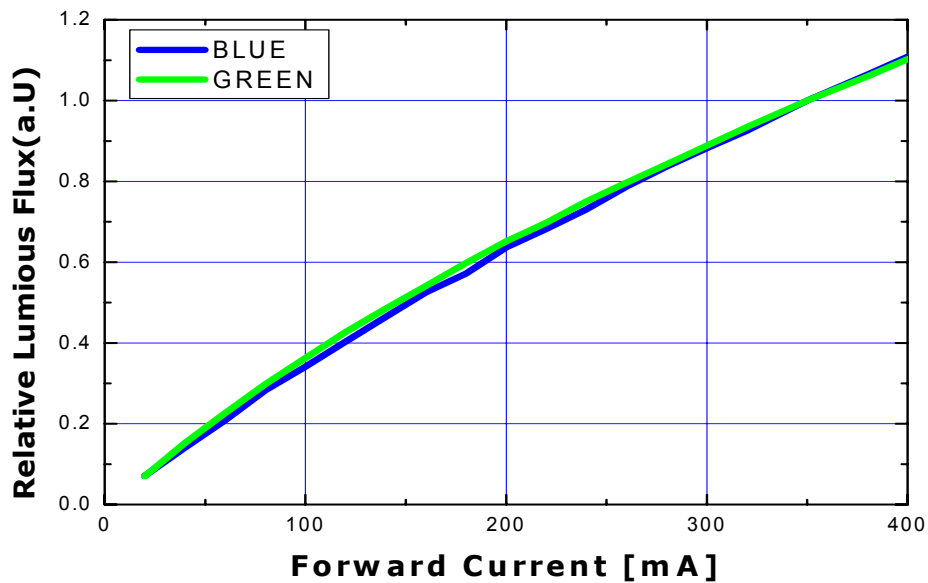
Rev 01 - 2005 / 09  
www.zpowerled.com

16

DataSheet4U.com



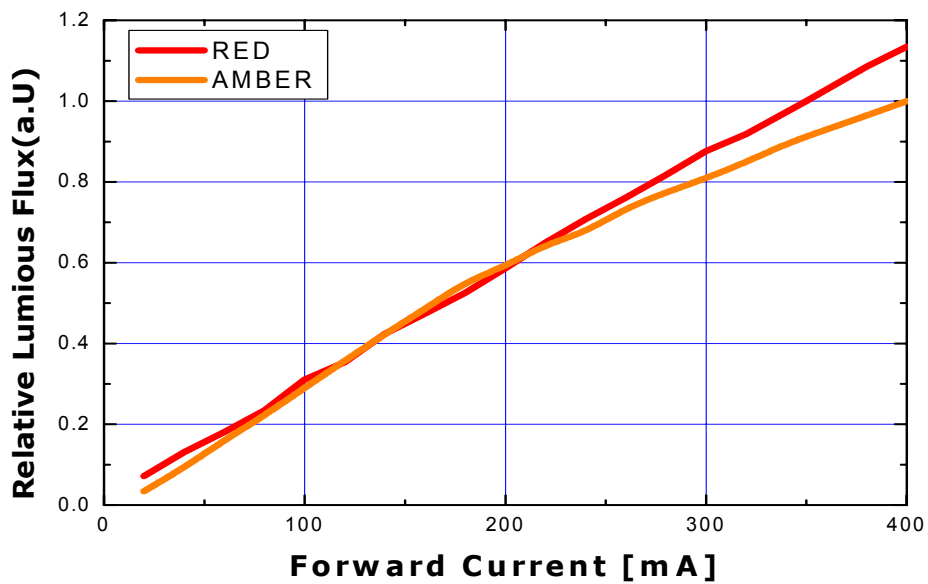
## 2. Forward Current vs. Normalized Relative Luminous Flux, $T_A=25^\circ\text{C}$



et4U.com

DataSheet4U.com

DataShe



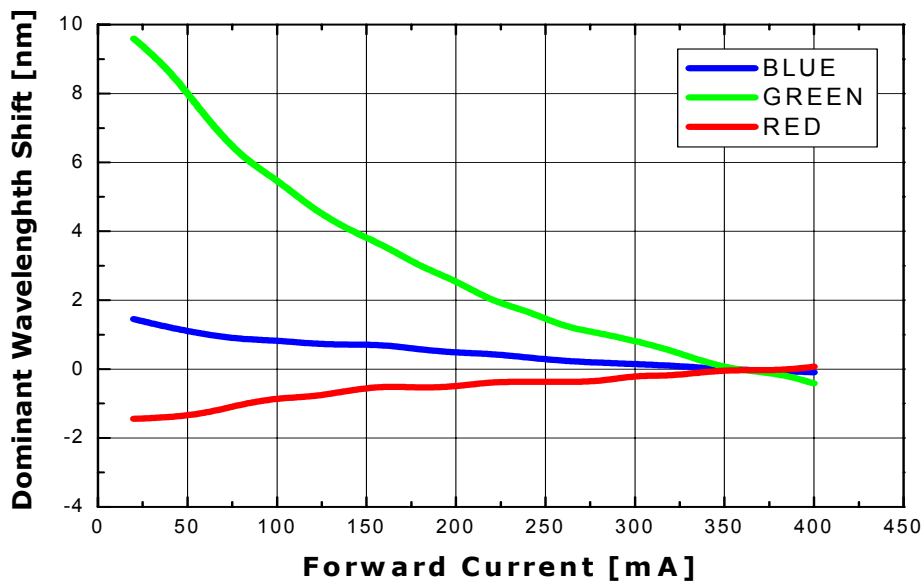
DataSheet4U.com

  
www.DataSheet4U.com

**SEOUL SEMICONDUCTOR CO.,LTD**

 Rev 01 - 2005 / 09  
 www.zpowerled.com

### 3. Forward Current Vs Wavelength shift, $T_A=25^\circ\text{C}$



et4U.com

DataSheet4U.com

DataShe

DataSheet4U.com

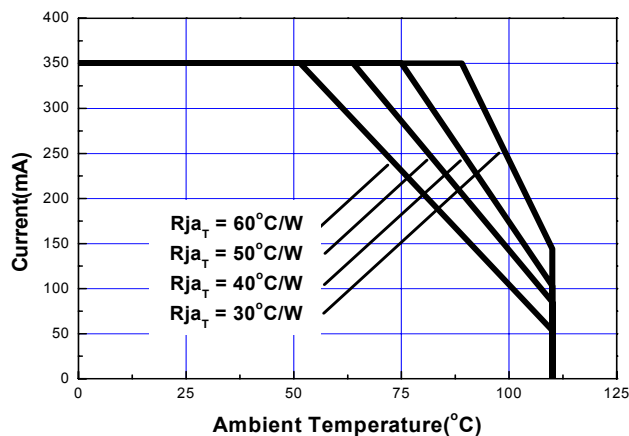
  
www.DataSheet4U.com**SEOUL SEMICONDUCTOR CO.,LTD**Rev 01 - 2005 / 09  
www.zpowerled.com

18

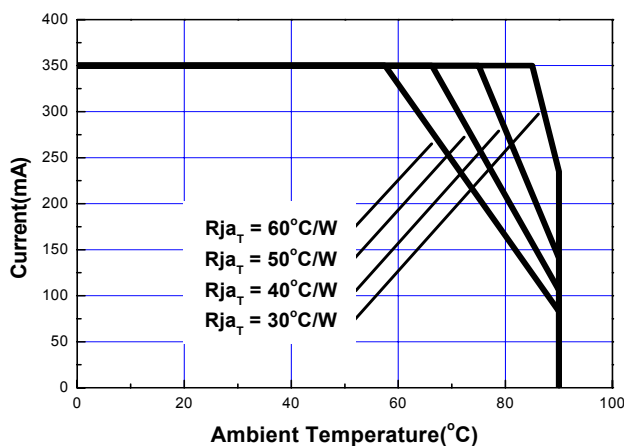
DataSheet4U.com

## Ambient Temperature vs Allowable Forward Current

### 1. Pure White, Warm White, Royal Blue, Blue, Cyan, Green ( $T_{JMAX} = 125\text{ }^{\circ}\text{C}$ )

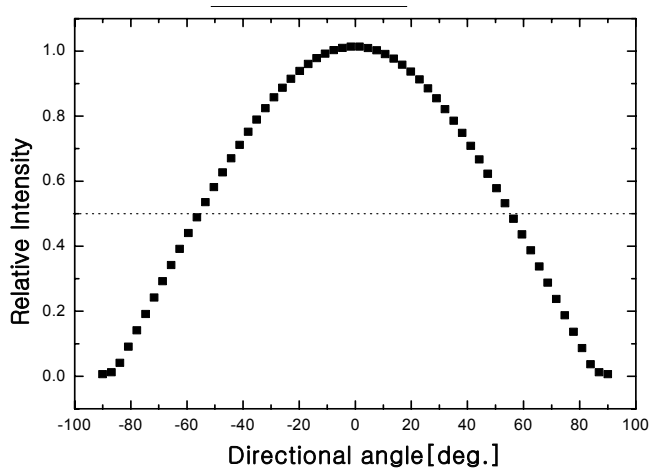


### 2. Amber, Red ( $T_{JMAX} = 100\text{ }^{\circ}\text{C}$ )

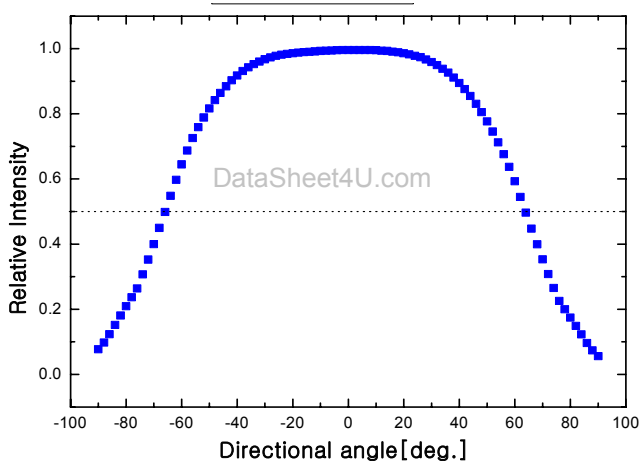


## Typical Dome Type Radiation pattern

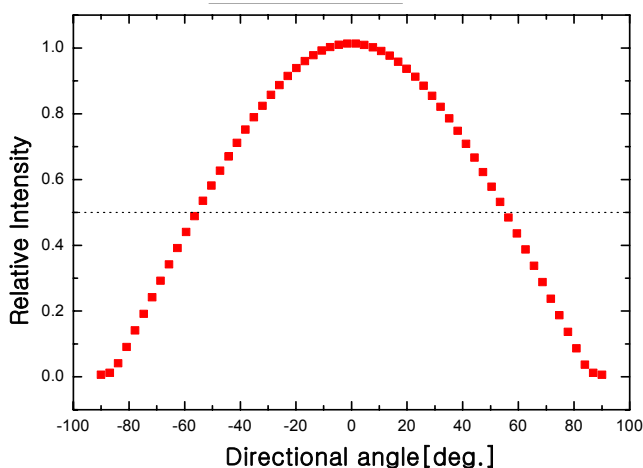
### 1. Pure White, Warm White



### 2. Royal Blue, Blue, Cyan, Green



### 3. Amber, Red

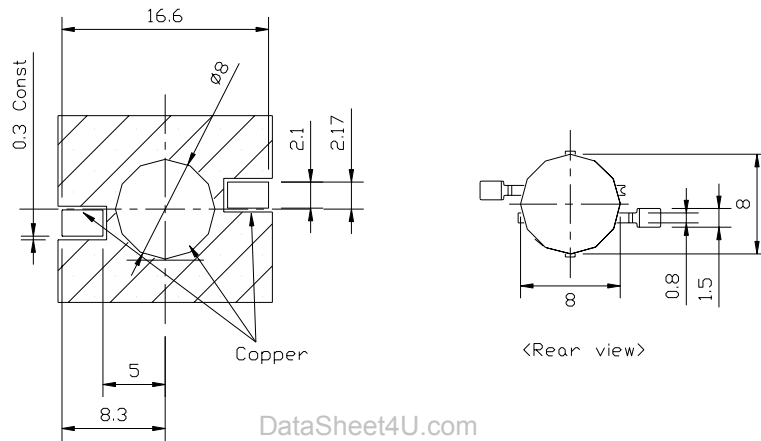
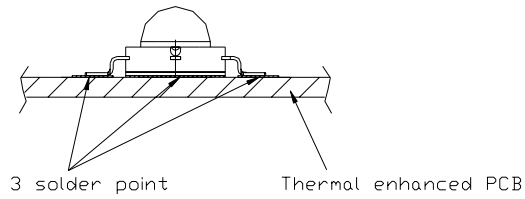


et4U.com

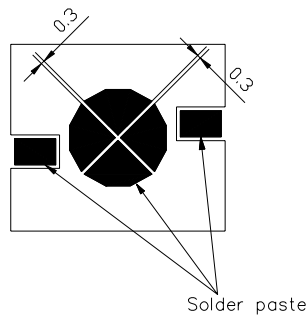
DataShe

## Recommended Soldering

### 1. Solder pad



### 2. Solder paste pattern



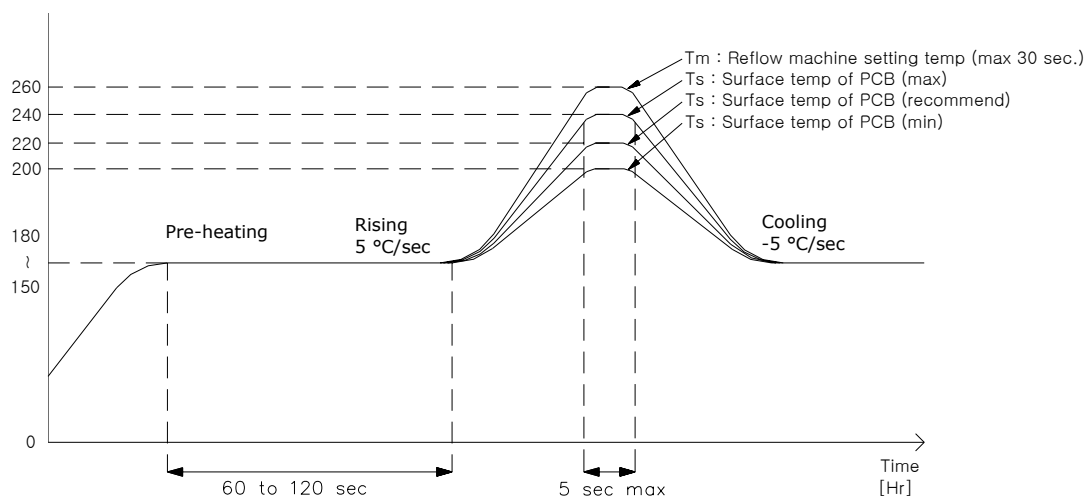
1. Paste thickness : 0.2mm

Note :

1. All dimensions are in millimeters
2. Scale none
3. This drawing without tolerances are for reference only

## Soldering profile, $T_A=25^{\circ}\text{C}$

### 1. Reflow Soldering Conditions / Profile



et4U.com

DataSheet4U.com

DataShe

### 2. Hand Soldering conditions

Lead : Not more than 3 seconds @MAX280°C  
 Slug : Use a thermal-adhesives

#### \* Caution

1. Reflow soldering should not be done more than one time.
2. Repairing should not be done after the LEDs have been soldered. When repairing is unavoidable, suitable tools have to be used.
3. Die slug is to be soldered.
4. When soldering, do not put stress on the LEDs during heating.
5. After soldering, do not warp the circuit board.
6. Recommend to use a convection type reflow machine with 7 ~ 8 zones.

DataSheet4U.com

**Z Power LED**  
 www.DataSheet4U.com



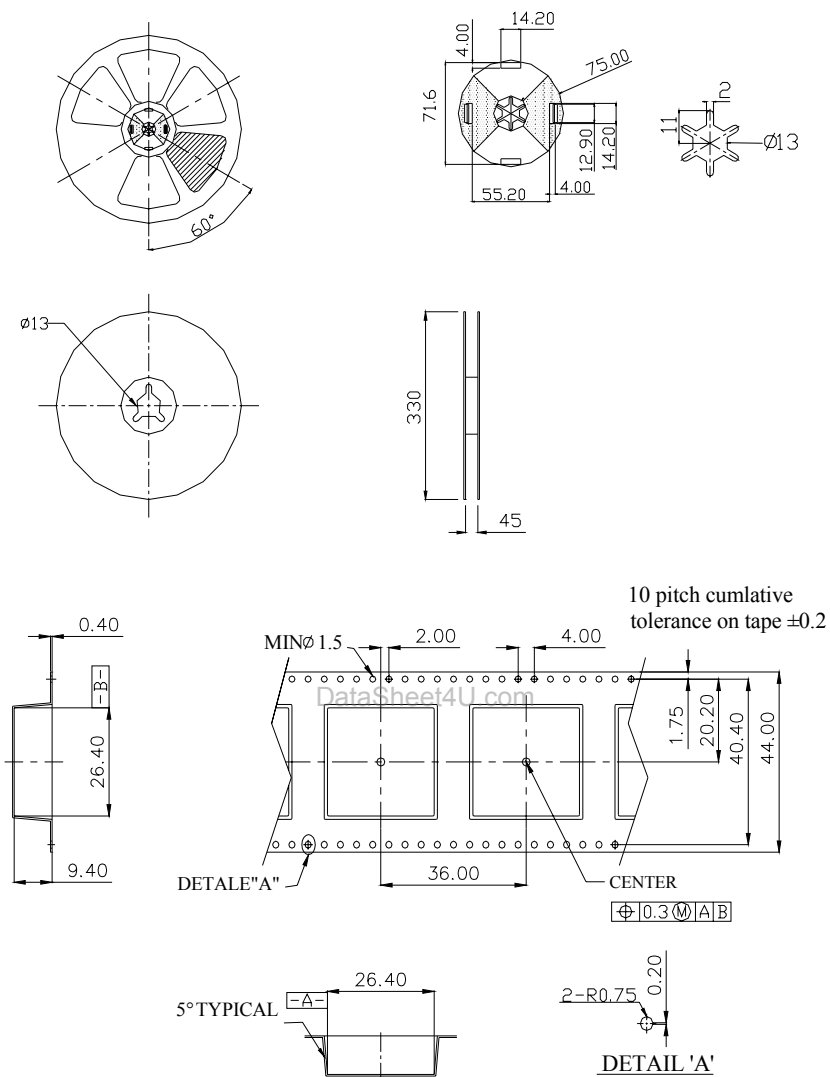
**SEOUL SEMICONDUCTOR CO.,LTD**

Rev 01 - 2005 / 09  
 www.zpowerled.com

22

DataSheet4U.com

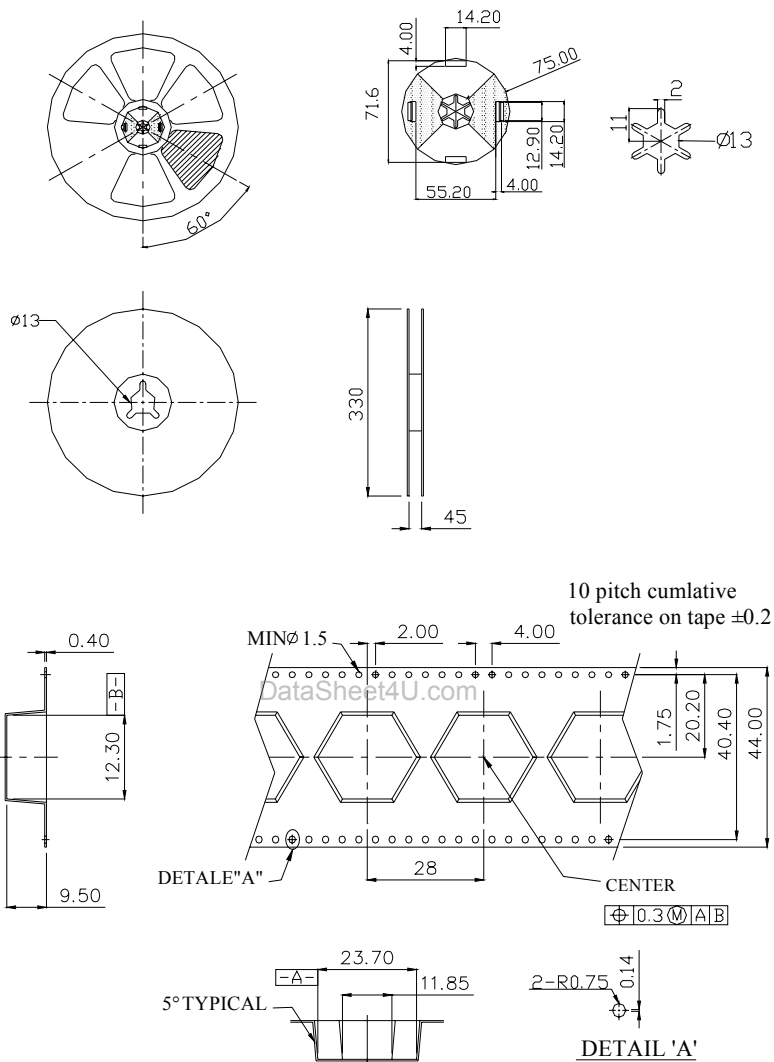
## Rectangular Type Reel Packaging - Rectangular type



**Note :**

1. The number of loaded products in the reel is 100ea
2. All dimensions are in millimeters
3. Scale none
4. This drawing without tolerances are for reference only

## Rectangular Type Reel Packaging - Star type



### Note :

1. The number of loaded products in the reel is 100ea
2. All dimensions are in millimeters
3. Scale none
4. This drawing without tolerances are for reference only



## Precaution for use

- Storage  
Avoid the absorption of moisture, we recommended to store Z Power LEDs in a dry box (or desiccator) with a desiccant . Otherwise, store them in the following environment:  
Temperature : 5℃~30℃ Humidity : 50% max.
- Precaution after opening packaging  
However LED is correspond SMD, when LED be soldered dip, interfacial separation may affect the light transmission efficiency, causing the light intensity to drop.  
Attention in followed.
  - a. Soldering should be done right after opening the package(within 24Hrs).
  - b. Keeping of a fraction
    - Sealing
    - Temperature : 5 ~ 40℃ Humidity : less than 30%
  - c. If the package has been opened more than 1week or the color of desiccant changes, components should be dried for 10-12hr at 60±5℃
- Any mechanical force or any excess vibration shall not be accepted to apply during cooling process to normal temp. after soldering.
- Avoid quick cooling
- Components should not be mounted on warped direction of PCB.
- Anti radioactive ray design is not considered for the products listed here in.
- Gallium arsenide is used in some of the products listed in this publication. These products are dangerous if they are burned or smashed in the process of disposal. It is also dangerous to drink the liquid or inhale the gas generated by such products when chemically disposed.
- This device should not be used in any type of fluid such as water, oil, organic solvent and etc. When washing is required, IPA(Isopropyl Alcohol) should be used.
- When the LEDs are illuminating, operating current should be decided after considering the package maximum temperature.
- LEDs must be stored to maintain a clean atmosphere. If the LEDs are stored for 3 months or more after being shipped from SSC, a sealed container with a nitrogen atmosphere should be used for storage.
- The LEDs must be soldered within seven days after opening the moisture-proof packing.
- Repack unused products with anti-moisture packing, fold to close any opening and then store in a dry place.
- The appearance and specifications of the product may be modified for improvement without notice.
- Long time exposure of sunlight or occasional UV exposure will cause lens discoloration.
- Slug polarity is anode.

## Handling of Silicone resin LEDs

Z-Power LED is encapsulated by silicone resin for the highest flux efficiency.

Notes for handling of Silicone resin Z-Power LEDs

- Avoid touching silicone resin parts especially by sharp tools such as Pincette(Tweezers)
- Avoid leaving fingerprints on silicone resin parts.
- Dust sensitivity silicone resin need containers having cover for storage.
- When populating boards in SMT production, there are basically no restrictions regarding the form of the pick and place nozzle, except that mechanical pressure on the surface of the resin must be prevent.
- Please do not force over 3000 gf impact or pressure diagonally on the silicon lens. It will cause fatal damage of this product
- Please do not recommend to cover the silicone resin of the LEDs with other resin (epoxy, urethane, etc)