



VRCD400-SDU

OWNER'S MANUAL

AM/FM Receiver, CD/MP3/WMA Player with
USB Port, Aux In, & Detachable Face

- AM/FM MPX STEREO
- MP3 / WMA WITH ID3 DISPLAY
- ASPS MEMORY CONTROL
- AUTO SEEK UP / DOWN
- FM STEREO / MONO
- 30 PRESET MEMORY
- MIX BAS / TRE / BAL / FAD SWITCH
- AUTO CD PLAY / RADIO
- AUTO POWER LOADING
- LOUDNESS CONTROL
- MUTE SOUND CONTROL
- USB CONTROL FOR MP3 / WMA
- WIRE HARNESS ON PLUG
- DIGITAL LCD DISPLAY
- DUAL CHANNEL LEVEL METER
- TIME CLOCK DISPLAY
- PRESET EQ (POP, ROCK, FLAT, CLASSIC)
- BUILT IN NOISE FILTER
- BUILT IN RCA OUTPUT
- SUBWOOFER OUTPUT
- AUXILIARY INPUT
- AUTO ANTENNA ACTIVATOR
- INFRA RED REMOTE CONTROL

Welcome!

Dear Customer,


CONGRATULATIONS. The VRCD400-SDU Compact Disc Player and AM/FM Stereo Receiver with USB Port and AUX In, when used as described, will give you years of dependable service in your car, truck, RV, or mini-van. We have taken numerous measures in quality control to ensure that your product arrives in top condition and will perform to your satisfaction. In the rare event that your VRCD400-SDU Compact Disc Player and AM/FM Stereo Receiver with USB Port and AUX In contains a damaged or missing item, does not perform as specified, requires warranty service, or you have an installation problem, **DO NOT RETURN THIS PRODUCT TO THE STORE. PLEASE CALL OUR TOLL FREE NUMBER FROM THE U.S.A. AND CANADA 1-800-445-1797** and ask to speak with a member of our technical service team; or submit your questions by e-mail to customerservice@vr-3.com and a member of our technical service team will respond by e-mail to your questions. Our in-house technical service team will expedite delivery of your part, advise you on installation, or help troubleshoot a problem with you. If your product needs warranty service, our technical service team representative will help you obtain the fastest remedy possible under the warranty.

Contents

- Precautions2
- Notes on Installation3
- Before You Install.....4
- Installation (DIN Front Mount)5
- Installation (Vehicle's Brackets).....6
- Parts6
- Wiring Connections.....7
- Location of the Controls8
- Remote Control9
- Basic Operation.....10
- Radio Operation11
- CD Operation12
- MP3/WMA Operation (CD)..... 13-14
- USB Operation15
- SD Memory Card Operation16
- AUX IN, RCA, & Subwoofer Control17
- Simple Troubleshooting Guide18
- Specifications19
- Warranty20

Precautions

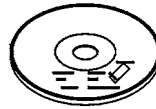
- This unit will only play the following discs.

Type of disc	Label on the disc	Recorded material	Size of disc
CD, MP3, & WMA		Audio only	12 cm

- Do not attempt to modify the unit.
- Modifying the unit will void the warranty.
- Stop the vehicle before carrying out any operation that could interfere with your driving.
- Do not operate in extremely high or low temperatures. The temperature inside the vehicle should be between 32° F (0° C) and 100° F (37° C) before turning on your unit.

Care of Discs

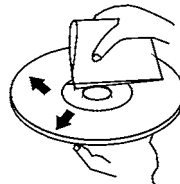
- Handle the disc by its edge to keep the disc clean. Do not touch the disc's surface.
- Do not use CDs with labels or stickers attached. The label may leave a sticky residue when it begins to peel.



- Do not use a CD with paste or ink residue on it.

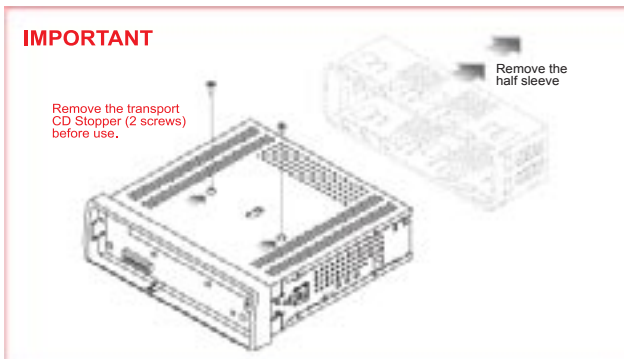


- Clean the discs with an optional cleaning cloth. Wipe each disc from the center out.



Notes on Installation

- Disconnect negative battery terminal before starting installation. Consult the vehicle's owner's manual for proper instruction.
- The unit is designed for a 12Volt DC negative ground operation system only. Before installing the unit, make sure your vehicle is a 12Volt DC negative ground system.
- Mark the polarity of the existing speaker wires before disconnecting the old unit.
- Be sure to connect the color coded leads according to the diagram. Incorrect connections may cause the unit to malfunction or damage the vehicle's electrical system.
- Make sure all the connections are completely correct before turning on your unit.
- When extending the ignition, memory backup or ground cable, use diameter of 0.75mm (AWG18) or more automotive grade cable to avoid wire deterioration or damage to the wire coating.
- To prevent short circuit, never put or leave any metallic object inside the unit. If you smell or see smoke, turn off the power immediately and consult your dealer.
- Insert the unit until it is firmly locked into mounting sleeve, otherwise it may fall out.
- Be careful not to drop or shock the unit, it may break or crack because it contain glass parts.
- The unit is only designed for use with 4 speakers. Do not combine output for use with 2 speakers. Do not ground negative speaker leads to the chassis ground.
- Do not open the top or bottom cover and do not install the unit in place where it is exposed to direct sunlight (including the faceplate), in order to avoid high heat or humidity, water splash over it or dust.
- The faceplate is a precision piece of equipment that contains sensitive electronic components. Do not subject it to excessive shock.
- When replacing the fuse(s), the replacement must be of the same amperage as shown on the fuse holder.
- Do not block vents or heater panels. Blocking them will cause heat to build up inside and may result in fire.
- After completing the installation and before operating the unit, reconnect the battery. Then press the (RES) button with a pointed object, such as a ball-point pen to set the unit to its initial status.
- Do not touch the terminals of the faceplate or of the unit.
- If you have difficulty in installing this unit in your vehicle. Please contact your dealer.



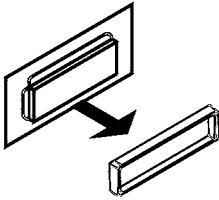
Before You Install

Automotive audio equipment installations can be troublesome at times, even to the most experienced of installation technicians. If you are not confident working with electrical wiring, removing and reinstalling interior panels, carpeting, dashboards or other components of your vehicle, please call our toll-free help line 1-800-445-1797 and our in-house technical service team will answer your installation questions. Contact the vehicle's manufacturer for vehicle specific instructions, or consider having the VRCD400-SDU professionally installed.

IMPORTANT: Remove the two transport screws from the top of the unit before installing.

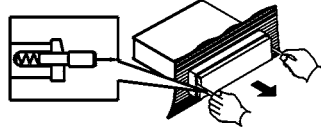
1. Remove the Old Unit from the Dashboard

A. Remove the outer trim frame.



DIN Front Mount

B. Insert the keys supplied with the old unit into both sides of the unit as shown in figure below until they click. Pull to remove the old unit from the dashboard.



DO NOT DISCONNECT WIRES AT THIS TIME!

2. Mark Polarity of the Speaker Wires

Marking the polarity of the speaker wires will make it easier to connect the existing speakers to the VRCD400-SDU. Consult wiring diagram of existing head unit before disconnecting any wires. If a wiring diagram is not available contact the manufacturer.

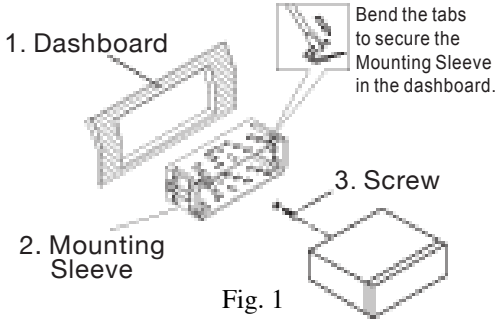
1. While the old unit is playing, disconnect the wires from one speaker.
2. Take a length of masking tape and fold it around the wire so it forms a flag.
3. On the masking tape mark the polar-

ity of the speaker wires (+ & -), as well as left or right, and front or rear.

4. Double check that you marked the first speaker correctly by checking that the speaker wires are the same at the head unit.
5. Repeat this procedure for all of the speakers.
6. Mark the power, ground, and any other wires also.

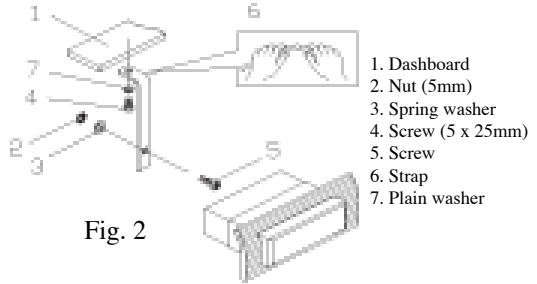
INSTALLATION

DIN FRONT-MOUNT (Method A)

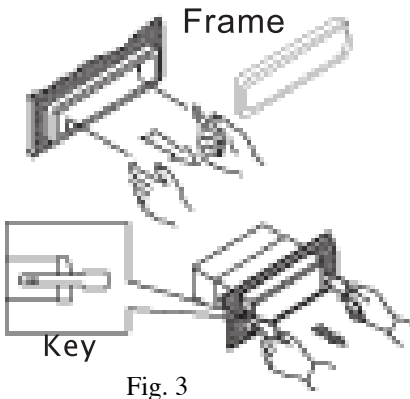


After inserting the Mounting Sleeve into the dashboard, select tabs on top, bottom, and sides, then bend them to secure the mounting sleeve in the dash board.(Fig. 1)

Follow the diagram in Fig. 2 for installing the rear mounting strap to the head unit. The rear mounting strap will help keep the head unit from moving around inside the dashboard.



Insert fingers into the groove in the front of frame to remove it.

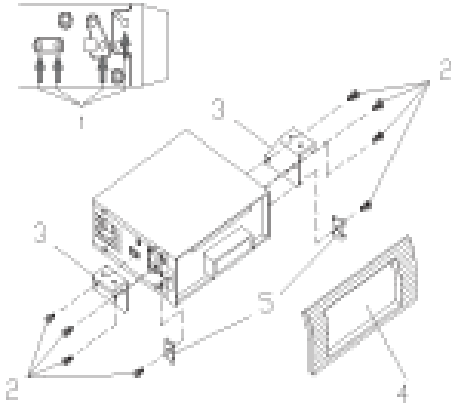


Insert the keys supplied with the unit in the grooves on both sides. The unit can be installed or removed from the dashboard using these keys.(Fig. 3)

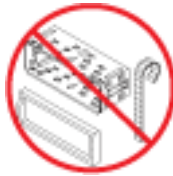
INSTALLATION

DIN REAR-MOUNT (Method B)

Installation using the screw holes on the both sides of the unit.



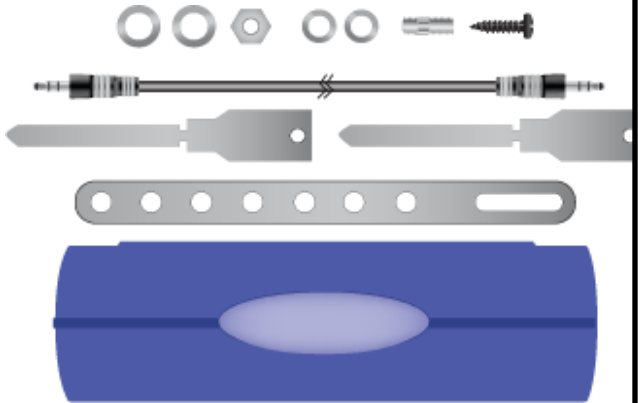
1. Screw holes on the side of the unit.
2. Screws. Use either truss screws (5 x 8mm) or flush surface screws (4 x 8mm), depending on the shape of the screw holes in the bracket.
3. Vehicle's Factory Mounting Bracket
4. Dashboard or Console
- 5 Hook (Remove this part)



Note: The mounting sleeve, outer trim ring, and the mounting strap are not used for this method of installation.

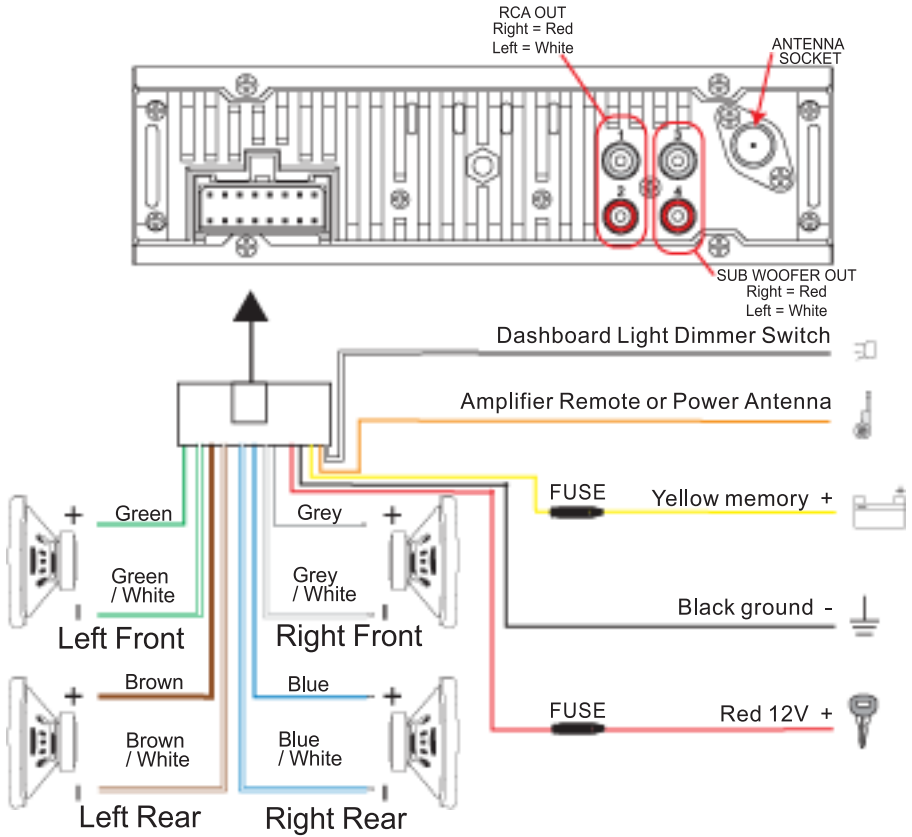
PARTS

- 2 Keys
- 2 Hex Nuts
- 2 Lock Washers
- 1 Sheet Metal Screw
- 1 Metal Support Strap
- 1 Flat Washer
- 1 Mounting Bolt
- 1 Faceplate Case
- 1 1/8" Stereo Cable

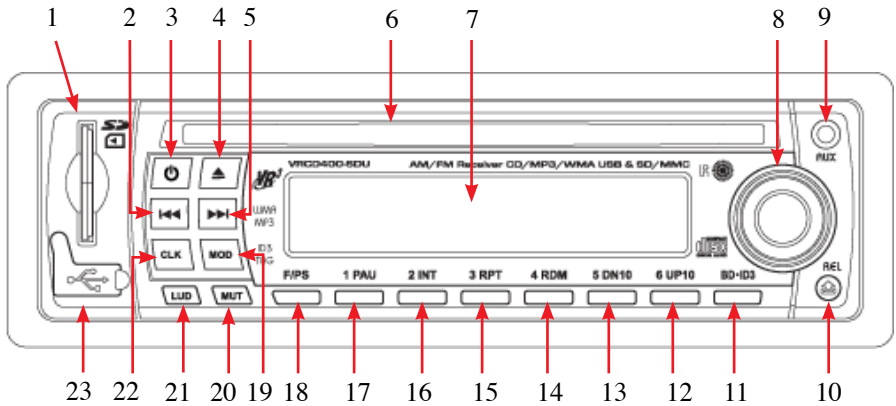


INSTALLATION

WIRING CONNECTIONS

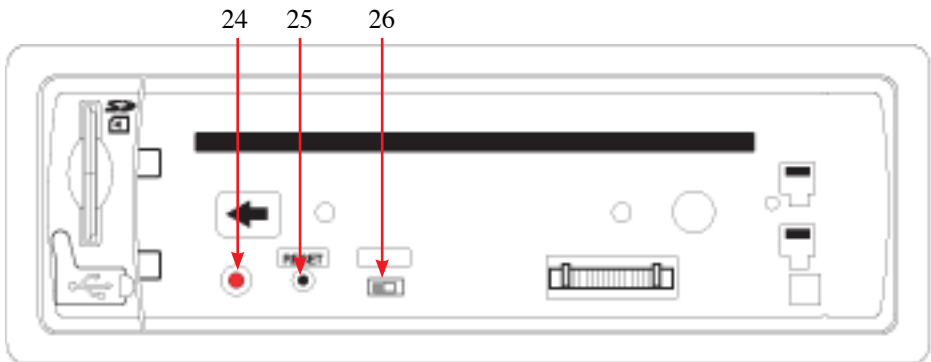


Location of the Controls



1. SD Card Slot
2. Previous Track/Change Frequency
3. Power
4. Eject Disc
5. Next Track/Change Frequency
6. Disc Slot
7. Liquid Crystal Display
8. Volume/SEL
9. Auxiliary In
10. Faceplate Release
11. Band/ID3
12. 6/Up 10
13. 5/ Down 10

14. 4/Random
15. 3/Repeat
16. 2/Introduction
17. 1/Pause
18. F/PS
19. Mode
20. Mute
21. Loudness
22. Clock
23. USB Port
24. Reset LED
25. Reset Button
26. A/E Switch



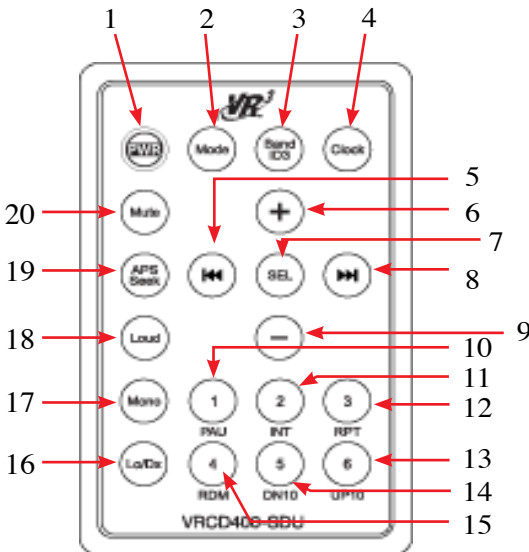
REMOTE CONTROL

This unit comes with a full remote control system. The CR-2025 Lithium battery is an included item with the remote control

Operating the remote control

Aim at the face panel of the CD Receiver, the maximum distance at which signals can be received is about 6M. Make sure that the signal path is not obstructed.

Do not drop or throw the remote control. Do not place the remote control in a location that is exposed to direct sunlight or next to a heating unit or other heat source.



1. Power on/off
2. Aux Radio & CD/MP3 Play
3. Band Switch/Subwoofer
4. Time Clock Display
5. Mute Sound Button
6. APS/Track Search
7. Loudness Control
8. Mono/Stereo Control
9. Local/Distance Control
10. Sound +/-
11. Sound Select Key
12. Stations Tune/ Seek Down
13. Track Down
14. Station Tune/Seek Up
15. Track Up
16. Radio Memory 1-6
17. CD Pause
18. Intro Scan
19. Repeat Play
20. Random Play
21. MP3 10 Songs down
22. MP3 10 Songs up

To replace the batteries:

- (1) Remove the cover from the back of the remote control.
- (2) Insert a CR-2025 Lithium battery.
- (3) Fix the cover to the back of the remote control.

Basic Operation

1. Tuning the Unit On / Off

Press the any button to turn the unit on, the display will show a message WELCOME to indicate it is ready for use. Press and hold the POWER button again to turn the unit off.

2. Mode Selection

Press the BD/ID3 for the Radio mode, Press the “MOD” Button to select the play mode between AUX, RADIO and CD PLAY.

3. Loudness Control

Press the LUD Button to emphasize the Bass output, the word “LOUD ON” shown on the display indicates that the loudness function is on. Press again to cancel.

4. Mute Control

Press the MUT Button to activate the Mute function. Press again or rotate the volume knob to cancel.

5. Volume

Adjust Volume by simply rotating the volume knob, the display shows VOL then 0 (indicate the volume level).

6. Bass

Press SEL button until the display shows BAS 0. Rotate the knob to adjust the bass of high/low sound level.

7. Treble

Press SEL button until the display shows TRE 0. Rotate the knob to adjust the bass of high/low sound level.

8. Balance

Press SEL button until the display shows BAL R-L. Rotate the knob to adjust the balance of left/right speakers.

9. Fader

Press SEL button until the display shows FAD F-R. Rotate the knob to adjust the volume balance between the front & rear

speakers.

10. Subwoofer Control

Press and hold the SEL button until LCD display “DSP OFF”. Press SEL button again and LCD display “WOOFER OFF”. Rotate volume to activate the subwoofer control function, then leave the unit idle for your desired setting to take effect. Make sure the unit is connected to an external amplifier.

11. Time Clock Setting

The time clock can be set anytime when the power is on. Press the CLK Button and then press and hold “CLK” Button for 3 seconds, the time will blink on the display.

1. Rotate the volume up button to adjust the hour.
2. Rotate the volume down button to adjust the minute.
3. Press the CLK Button again or leave the unit idle for new setting to effect.

Press the CLK Button anytime to view the time clock display.

12. Preset Beep Sound Off

1. Press the Sound Select button for 2 Seconds, the Display will show “DSP OFF”.
2. Press the Sound Select button continuously until the display show “BEEP ON”, press the volume up/down button to toggle between it and “BEEP OFF”, then leave the unit idle for your desired setting to take effect.

13. Preset Equalizer Function

Press and hold the SEL Button for 2 seconds, the display will show “DSP OFF”. Rotate the Volume up/down button to choose set the EQ sound effects. The choices are POP, ROCK, CLASS, and FLAT.

Radio Operation

1. Choose Radio Frequency

Choose American or European Frequency by selecting the A/E switch. A is for American Frequencies (87.7, 87.9, etc) and E is for European frequencies (87.8, 88.0, etc). The switch is on the main unit, behind the front panel.

2. Choose Radio Band

Press the BD/ID3 button to select 3 FM bands (FM1 - FM2 - FM3) and 2 AM bands (AM1 - AM2). Each band can store 6 preset stations, for a total of 30 preset memory stations.

3. SEEK 1 & SEEK 2

Press and hold the SEL Button until "DSP OFF" is shown on the LCD, then press the SEL Button to cycle through the menu selections until "SEEK 1" is shown. Use the VOL +/- Button to select either "SEEK 1" or "SEEK 2".

A. Seek 1

Press and hold the SEEK |<< or >>| Button for more than 1 second. The radio will seek the next strong and clear frequency station. Repeat to seek more stations in your listening area with a strong signal.

B. Seek 2 Press and hold the SEEK |<< or >>| Button for station search. The search will not cease until you release the button.

4. Mono/Stereo Reception Control

In FM radio mode, press MONO button on the remote control to toggle between mono reception or stereo reception. The display will show "MONO" or "STEREO". Improvement of reception of distant stations can be done by selecting "MONO" operation which may cut down some reception noise.

5. Save Your Preset Stations

There are Six numbered preset buttons which can store and recall stations for each

band. There are 5 bands and 30 available preset stations slot. 3 FM bands, F1, F2, and F3 making a total of 18 preset stations in FM band. 2 AM bands, AM1 and AM2 making a total of total 12 preset stations in AM band.

6. Automatic Store/Preset Scan

A. Show Stations Preset

While listening to the FM Radio, press and hold the F/PS Button for 1 second. The receiver will automatically scan the saved stations of the 3 FM Bands. When listening AM radio, press "F/PS" button for more than 3 seconds, the receiver will automatically scan and save stations for the 2 AM bands.

B. Reset Automatic Scan & Store

Press and hold the F/PS button for 3 seconds and the receiver will *scan* the radio stations in your area, then save them as pre-sets.

CD Operation

1. Insert/Eject CD

Insert a disc into CD slot with label side up. The disc will be automatically loaded into the unit, even when it is off or at radio mode. The word "LOAD" will blink on the display and the CD will play automatically. Press the EJECT Button to eject the disc from the slot. If the disc is not removed from the slot within 5 seconds, it will automatically be loaded into the slot again. When the disc is ejected and removed, the unit will automatically switch to radio mode.

2. Multi-Session CD Reading

This unit can read multi-session CDs. The multi-session reading will be activated automatically if the player detects a file that is written in multi-session format. Press and hold the SEL Button until "DSP OFF" is shown on the LCD, then press the SEL Button to cycle through the menu selections until "MULT OFF" is shown. Use the VOL +/- Button to choose "MULT ON" or "MULT OFF". The default is MULT OFF .

3. Selecting Tracks

On the Head Unit, press the SEEK >>| Button to advance CD to the next track. Track numbers will be shown on the display. Press and hold SEEK >>| to fast forward.

Press the SEEK |<< Button to go to a previous track. Track numbers will be shown on the display. Press and hold the SEEK |<< Button to fast reverse. Disc will play normally when the SEEK >>| or SEEK |<< Button is released. On the Remote Control, use the |<< or >>| Buttons.

4. Play/ Pause CD

On the Remote or Head Unit, press the No.1/ PAU Button to pause the CD. Press this button again to resume playback.

5. Scanning Tracks

On the Remote or Head Unit, press the No.2/INT Button to play the first 10 seconds of each track. Press this button again to resume playback.

6. Repeat

On the Remote or Head Unit, press the No.3/RPT Button to repeat the same track continuously. "RPT ON" will appear on the display. Press this button again to stop repeating.

7. Random

On the Remote or Head Unit, press the No.4/RDM Button to play all the tracks in random order. "RDM ON" will appear on the display. Press this button again to stop random play.

8. UP 10

Press the No.6/UP10 Button to advance 10 tracks at a time.

9. DN 10

Press the No.5/DN10 Button to go back 10 tracks at a time.

Electronic Skip Protection - 12 or 45 seconds

Electronic Skip Protection is ideal for driving on rough roads. Press the SEL Button for 2 seconds. The display will show "DSP OFF". Press the SEL Button again, "ESP12" will be displayed indicating that Electronic Skip Protection will be activated for 12 seconds. With "ESP 12" on the display, use the VOL +/- Button to change the setting to "ESP 45", indicating that Electronic Skip Protection for 45 seconds is activated. Leave the unit idle for the new setting to take effect.

MP3/WMA Operation

1. Insert/Eject CD

Insert a disc with MP3 and or WMA files into the CD slot with label side up. The disc will be automatically loaded into the unit, even when it is off or in radio mode. The word "MP3 DISC" will be displayed as the CD is loaded. The first file in the root folder will be played. As the file is playing "ROOT" will be displayed first, then the if there is any ID3 information that will be displayed as the file is playing. Press the EJECT Button to eject the disc from the slot. If the disc is not removed from the slot within 5 seconds, it will automatically be loaded into the slot again. When the disc is ejected and removed, the unit will automatically switch to radio mode.

2. Multi-Session CD Reading

This unit can read multi-session CDs. The multi-session reading will be activated automatically if the player detects a file that is written in multi-session format. Press and hold the SEL Button until "DSP OFF" is shown on the LCD, then press the SEL Button to cycle through the menu selections until "MULT OFF" is shown. Use the VOL +/- Button to choose "MULT ON" or "MULT OFF". The default is MULT OFF .

3. Selecting Tracks

On the Head Unit, press the SEEK >>| Button to advance CD to the next track. Track numbers will be shown on the display. Press and hold SEEK >>| to fast forward.

Press the SEEK |<< Button to go to a previous track. Track numbers will be shown on the display. Press and hold the SEEK |<< Button to fast reverse. Disc will play normally when the SEEK >>| or SEEK |<<

Button is released. On the Remote Control, use the |<< or >>| Buttons.

4. Play/ Pause CD

On the Remote or Head Unit, press the No.1 Button to pause the CD. Press this button again to resume playback.

5. Scanning Tracks

On the Remote or Head Unit, press the No.2/INT Button to play the first 10 seconds of each track. Press this button again to resume playback.

6. Repeat

On the Remote or Head Unit, press the No.3/RPT Button to repeat the same track continuously. "RPT ON" will appear on the display. Press this button again to stop repeating.

7. Random

On the Remote or Head Unit, press the No.4/RDM Button to play all the tracks in random order. "RDM ON" will appear on the display. Press this button again to stop random play.

Search Modes

There are 4 search modes to help find your favorite MP3 & WMA tracks. The search modes only works with MP3/WMA CDs, and USB flash memory with MP3/WMA files. The search modes do not work with any other CDs.

A. Simple Track Search

Press the SEEK |<< or >>| Button to go to the next track or previous track. Press the Number 5 button to go back 10 tracks at once or press the Number 6 button to advance 10 tracks at once.

MP3/WMA Operation

B. Track Search

Press the F/PS Button and the display will show "TRK SCH". Press the SEL Button so that "TRK" will blink on the display.

Then use the VOL +/- Button to choose your desired track and press the SEL Button again to confirm the selection. The selected track will be searched for and then played.

C. File Search

Press the F/PS Button twice and the display will show "FILE SCH". Press the SEL Button to enter the root folder of the disc. Use the VOL +/- Button to choose a folder in the root folder, then press the SEL Button to confirm. The selected folder will be opened.

D. Character Search

Press the F/PS Button three times and the display will show "CHAR SCH". This is for files by file names. Press the SEL Button and the first character will blink on the display. Use the VOL +/- Button to

change the character. Press the SEL button once to confirm the character entered and advance to the next character. After you have input the name, press and hold the SEL Button to confirm. The song nearest alphabetically to the name input will be found and then begin to play.

E. Random

While playing MP3 and or WMA files on a CD, press the No.4/RDM Button, "RDM" will appear in the LCD and the unit will play the tracks on the CD at random.

8. ID3 Tag

If an Mp3 file has Id3 tag information, it will be displayed on the LCD. If there is no Id3 tag information, nothing will shown on LCD.

USB Flash Memory Operation

To play MP3 / WMA files from a USB Flash Memory Drive, remove the cover from the USB port, insert the USB Flash Memory Drive into the USB port. The unit will start playing MP3/WMA files on the USB Flash Memory Drive automatically. Or press the MODE Button to select USB when the unit has a USB Flash Memory Drive already inserted into the USB port

1. Play / Pause

When playing MP3/WMA in the USB drive, press the No.1/PAU Button to pause playback. press the No.1/PAU Button again to resume.

2. Selecting Tracks

If the MP3/WMA files are stored in folders on the USB drive, the unit will start by playing the first song in the first folder.

After playing all the files sequentially in the first folder, the unit will play sequentially all of the files in the next folder. The unit will continue playing through all of the folders on the USB drive in this manner.

If the USB drive has loose files and folders containing files, it will play the loose files sequentially, then it will play the files in the folders sequentially. The No.5/DN10 and No.6/UP10 Buttons are used to advance ten tracks at a time or go back ten tracks at a time.

3. Repeat

Press the No.3/RPT Button to repeat the same files continuously. “RPT ON.” will appear on the display. Press this key again to stop repeating.

4. Random

Press the No.4/RDM Button to play all the

files in USB drive in random order. “RDM ON” will appear on the display. Press this button again to stop random play.

5. UP 10

Press the No.6/UP10 Button to advance 10 track at a time.

6. DN 10

Press the No.5/DN10 Button to go back 10 track at a time.

7. ID3 Tag

If an Mp3 file has Id3 tag information, it will be displayed on the LCD. If there is no Id3 tag information, nothing will shown on LCD.

SD Memory Card Operation

To play MP3 / WMA files from a SD Memory Card, fully insert the SD Memory Card into the SD Memory Card slot until you hear and feel a click. MEM-CARD will be



shown on the LCD and the unit will start playing MP3/WMA files on the SD Memory Card. Or press the MODE Button to select MEM-CARD when the unit has a SD Memory Card inserted into the SD Memory Card slot.

Press the SD card again to eject the card from the slot. When the SD Memory Card is ejected, the unit will automatically be switched to the radio mode.

1. Play / Pause

When playing MP3/WMA in the USB drive, press the No.1/PAU Button to pause playback. press the No.1/PAU Button again to resume.

2. Selecting Tracks

If the MP3/WMA files are stored in folders on the SD Memory Card, the unit will start by playing the first song in the first folder. After playing all the files sequentially in the first folder, the unit will play sequentially all of the files in the next folder. The unit will continue playing through all of the folders on the SD Memory Card in this manner.

If the SD Memory Card has loose files and folders containing files, it will play the loose files sequentially, then it will play the files in the folders sequentially. The No.5/DN10 and No.6/UP10 Buttons are used to advance ten tracks at a time or go back ten tracks at a time.

3. Repeat

Press the No.3/RPT Button to repeat the same files continuously. "RPT ON." will appear on the display. Press this key again to stop repeating.

4. Random

Press the No.4/RDM Button to play all the files in USB drive in random order. "RDM ON" will appear on the display. Press this button again to stop random play.

5. UP 10

Press the No.6/UP10 Button to advance 10 track at a time.

6. DN 10

Press the No.5/DN10 Button to go back 10 track at a time.

7. ID3 Tag

If an Mp3 file has Id3 tag information, it will be displayed on the LCD. If there is no Id3 tag information, nothing will shown on LCD.

AUX IN, RCA OUT, & SUBWOOFER

1. Auxiliary Input

The Auxiliary Input Jack is on the front of the unit on the right side. Insert the supplied AUX IN cable's into the AUX IN jack. Press the Mode button to choose AUX. Connect any portable audio device such as a DVD player or VCD player to the AUX IN cable. Use the volume control to adjust the volume.

Button until you see "SUB OFF", then use the volume control to choose "SUB ON" or "SUB OFF".

2. RCA Line Out

The RCA Output Jack is on the back of the unit on the right side. (See figure 1) This output is for connecting an amplifier, equalizer, or other audio component that requires a pre-amp out connection. (Red = Right, White = Left) Follow the manufacturers instructions for the audio component that you are connecting

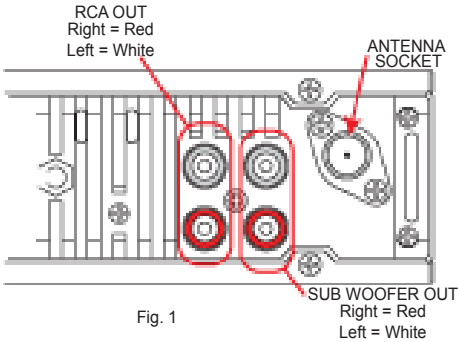


Fig. 1

4. Subwoofer Output

The Subwoofer Output Jack is on the back of the unit on the right side. (See figure 1) This output is for connecting a subwoofer amplifier. You must connect an amplifier to the Subwoofer Output Jack to drive a subwoofer. Follow the amplifier's installation instructions. Press and hold the SEL Button, "DISP OFF" will be shown on the LCD. To activate subwoofer control press the SEL

Simple Troubleshooting Guide

PROBLEM	CAUSE/SOLUTION
No Power	Check wiring connections. Check and make sure the fuse is not blown. Replace with the proper rating/size fuse.
Some errors occur in the LCD or nothing functions when buttons are pressed.	Press the RESET Button (21).
Unable to receive stations	Check and make sure the antenna is connected properly.
Poor radio reception	Check and make sure the antenna is the correct length. Make sure the antenna is not broken. If the antenna is broken, replace it. The antenna is poorly grounded. Check and make sure the antenna is grounded at mounting location.
CD can't be loaded	A CD is already loaded in the player. Eject CD.
Songs keep skipping	The CD is dirty or damaged.
MP3/WMA Files on the USB/SD flash memory do not play.	Flash memory is formatted as NTSC. Format the flash memory as FAT or FAT32. The files have Digital Rights Management(DRM). If the files you are attempting to play were purchased online, they may have Digital Rights Management, this unit is not DRM compatible
I hear multiple files playing at the same time.	You may have both types of memory connected to the unit at the same time.



For Answers to Your Questions

Visit us on the Web at:

www.vr-3.com

Give Us a Call, We'll Help You Install!

1-800-445-1797

Specifications

GENERAL

Operating Power	12 Volts DC, Negative Ground
Output Wiring	Designed for using four speakers only
RCA line out	low-level outputs - 500MV
Output Impedance	Compatible 4 to 8 Ohm Speakers
Fuses	1 amp and 5 amp
Dimensions	178mm(W) x 178mm(D) x 51mm (H)
Weight	2.6 Kg

CD PLAYER

Signal / Noise Ratio	>80dB
Frequency Response	20 Hz~20KHz
Channel Separation	>62dB
D / A Converter	16 Bit

FM TUNER

Tuning Range	87.5-108 MHz
FM Mono Sensitivity	12dB
Stereo Separation @ 1 KHz	40dB

AM TUNER

Tuning Range	522-1620 KHz
Am Sensitivity	20qV

NOTE:

Due to continuous product improvements, specifications and designs are subject to change without notice.

Limited Warranty

VIRTUAL REALITY SOUND LABS® products are designed and manufactured to provide a high level of trouble-free performance. VIRTUAL REALITY SOUND LABS® warrants, to the original purchaser, that its products are free from defects in material and workmanship for 30 days from the date of original purchase, as part of our commitment to product excellence. VIRTUAL REALITY SOUND LABS® and/or its affiliates routinely improves the designs, materials or production methods of its existing products. Because it is impractical to publicize all changes in every product, we reserve the right to make such changes without notice.

CONDITIONS OF WARRANTY:

If during the 30 day warranty period your new product is found to be defective, VIRTUAL REALITY SOUND LABS® will repair such defect, or replace the product, without charge for parts or labor subject to the following conditions:

1. All repairs must be performed by VIRTUAL REALITY SOUND LABS® and/or its affiliates in Eatontown, New Jersey.
2. The equipment must not have been altered or been damaged through negligence, accident, or improper operation.
3. The replacement of parts are exempted from this warranty when replacement is necessary due to normal wear and tear.
4. All warranty claims must be accompanied by a copy of the sales receipt or bill of sale.
5. Repair or replacement parts supplied by VIRTUAL REALITY SOUND LABS® under this warranty are protected only for the unexpired portion of the original warranty.
6. In the case of car stereos, this warranty does not extend to the elimination of car static or motor noise; correction of antenna problems; costs incurred for the removal or reinstallation of the product; damage to tapes, speakers, accessories or car electrical systems.
7. VIRTUAL REALITY SOUND LABS® will not be responsible for any charge incurred for installation.

OWNER'S RESPONSIBILITIES:

VIRTUAL REALITY SOUND LABS® will make every effort to provide warranty service within a reasonable period of time.

SHOULD YOU HAVE ANY QUESTIONS ABOUT SERVICE RECEIVED, OR IF YOU WOULD LIKE ASSISTANCE IN OBTAINING SERVICE, PLEASE CALL TOLL FREE 1-800-445-1797, 8:30am - 4:30pm EST.

In order to provide you with the proper warranty service, we request that you adhere to the following procedure:

1. Include a copy of your sales receipt or bill of sale with your unit when it is returned for warranty service.
2. If it is necessary to return your product for service, please return it securely packed, preferably in the original shipping carton, and freight and insurance prepaid to the following address: VIRTUAL REALITY SOUND LABS, Service Department, 41 James Way, Eatontown, New Jersey 07724.
3. Please include a detailed explanation of the problem you are having.
4. If your product is found by VIRTUAL REALITY SOUND LABS® to have a defect in material or workmanship, within the warranty period, it will be repaired or replaced at no charge and returned to you prepaid. Where permitted by law VIRTUAL REALITY SOUND LABS® liability shall be limited to that set forth in this warranty. This warranty shall be the exclusive remedy of the purchaser.

VIRTUAL REALITY SOUND LABS® makes no other warranty of any kind, expressed or implied; and all implied warranties, are hereby disclaimed by VIRTUAL REALITY SOUND LABS® and excluded from this warranty, VIRTUAL REALITY SOUND LABS® and/or its affiliates, the manufacturer, distributor and seller shall not be liable for any injury, loss or damage, incidental or consequential, arising out of the use or intended use of the product.

BACK COVER