

PLEASE CHECK WWW.MOLEX.COM FOR LATEST PART INFORMATION

Part Number: [0986581233](#)
Status: **Active**
Overview: [mox crimp terminals](#)
Description: MOX Crimp Terminal, Female, 0.635mm (.025"), 20-24 AWG (0.22-0.50mm²), Reel, 2 points selective gold

Documents:

[Packaging Specification \(PDF\)](#) [RoHS Certificate of Compliance \(PDF\)](#)
[Drawing \(PDF\)](#)

General

Product Family	Crimp Terminals
Series	98658
Comments	Terminal has Stainless Steel Sleeve
Crimp Quality Equipment	Yes
Overview	mox crimp terminals
Product Name	MOX

Physical

Durability (mating cycles max)	20
Gender	Female
Material - Metal	Copper-Nickel-Silicon, Stainless Steel
Material - Plating Mating	Gold
Material - Plating Termination	Tin
Packaging Type	Reel
Plating min: Mating (µin)	16.00
Plating min: Mating (µm)	0.40
Plating min: Termination (µin)	40.00
Plating min: Termination (µm)	1.00
Termination Interface: Style	Crimp or Compression
Wire Insulation Diameter	1.20-1.50mm (.047-.059")
Wire Size AWG	N/A
Wire Size mm ²	0.22 TO 0.50

Electrical

Current - Maximum per Contact	7.5A
-------------------------------	------

Material Info

Old Part Number	101100320
-----------------	-----------

Reference - Drawing Numbers

Sales Drawing	SD-98658-004
---------------	--------------

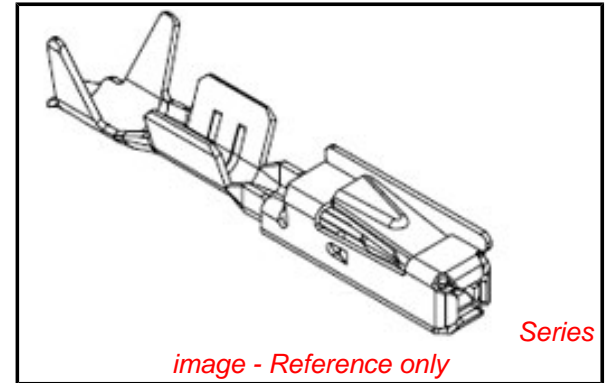


image - Reference only

EU RoHS

ELV and RoHS Compliant

REACH SVHC

Not Reviewed

Halogen-Free

Status

Not Reviewed

Need more information on product environmental compliance?

Email productcompliance@molex.com
 For a multiple part number RoHS Certificate of Compliance, [click here](#)

Please visit the [Contact Us](#) section for any non-product compliance questions.

China RoHS



Search Parts in this Series

[98658Series](#)

Use With

all 0.635mm (.025") MOX Housings

Application Tooling | [FAQ](#)

Tooling specifications and manuals are found by selecting the products below. Crimp Height Specifications are then contained in the Application Tooling Specification document.

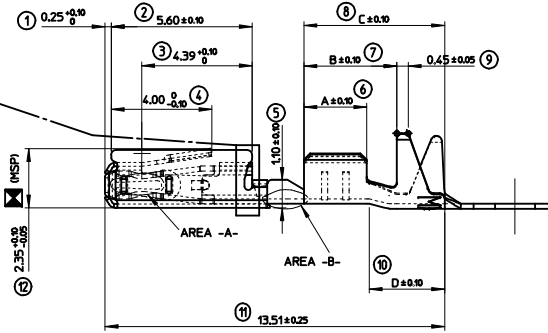
Global

Description	Product #
Extractor Tool for 2.8mm Crimp Terminals	0638136900
Extractor Tool for 2.8mm Crimp Terminals	0638137000
FineAdjust™ Applicator	0638666100
Hand Crimp Tool	0638119300
MOX Extraction Tool	0638132600

This document was generated on 05/31/2010

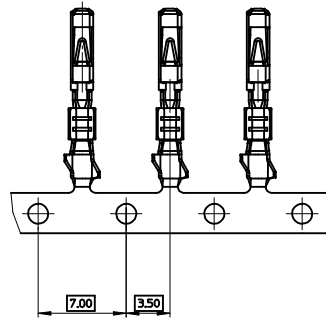
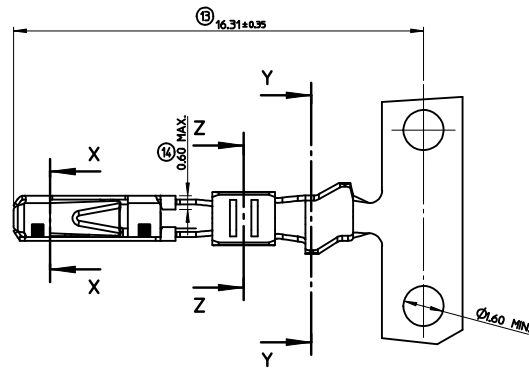
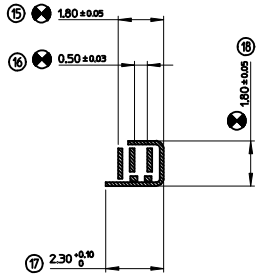
PLEASE CHECK WWW.MOLEX.COM FOR LATEST PART INFORMATION

FORME ADMISE
ALLOWED VERSION

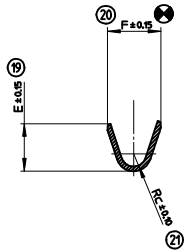


MOLEX REFERENCE	AREA -A- (GAP AREA)	AREA -B-	CRIMPING AREA	Wire size range	Longueur Length	Serrisage Conductor Wire Crimp	Serrisage isolant Insulation Crimp	Poids Weight
TIN PLATED VERSION	096581211	HOT TIN DP Sn = 1.0 to 3.0 Hs		0.22 to 0.60 mm2	A-250 B-370 C-560 D-300	E-190 F-240 Rc-050	G-290 H-280 Ri-080	0.6000 g
GOLD PLATED VERSION	096581221	Au= 0.4 Hs MIN. Ni= 1.0 Hs MIN.	Sn = 1.0 to 5.0 Hs MIN. Ni = 1.0 Hs MIN.					
GOLD PLATED VERSION	096581231	Au= 0.4 Hs MIN. Ni= 1.0 Hs MIN.	Sn = 1.0 to 5.0 Hs MIN. Ni = 1.0 Hs MIN.					
TIN PLATED VERSION	096581212	HOT TIN DP Sn = 1.0 to 3.0 Hs		0.75 mm2	A-280 B-370 C-560 D-270	E-225 F-225 Rc-050	G-290 H-280 Ri-080	
GOLD PLATED VERSION	096581222	Au= 0.4 Hs MIN. Ni= 1.0 Hs MIN.	Sn = 1.0 to 5.0 Hs MIN. Ni = 1.0 Hs MIN.					
GOLD PLATED VERSION	096581232	Au= 0.4 Hs MIN. Ni= 1.0 Hs MIN.	Sn = 1.0 to 5.0 Hs MIN. Ni = 1.0 Hs MIN.					
TIN PLATED VERSION	096581213	HOT TIN DP Sn = 1.0 to 3.0 Hs		0.22 to 0.50 mm2	A-250 B-370 C-560 D-300	E-180 F-180 Rc-040	G-230 H-230 Ri-070	
GOLD PLATED VERSION	096581223	Au= 0.4 Hs MIN. Ni= 1.0 Hs MIN.	Sn = 1.0 to 5.0 Hs MIN. Ni = 1.0 Hs MIN.					
GOLD PLATED VERSION	096581233	Au= 0.4 Hs MIN. Ni= 1.0 Hs MIN.	Sn = 1.0 to 5.0 Hs MIN. Ni = 1.0 Hs MIN.					

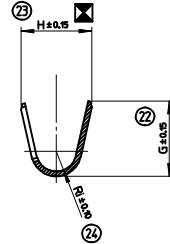
X-X



Z-Z



Y-Y



NOTE:

- MATERIAL: CONTACT BODY: HIGH CONDUCTIVE COPPER ALLOY.
SLEEVE: STAINLESS STEEL.
- PACKAGING SPECIFICATION: PK-98658-006.
- CRIMPING PARAMETERS AND CRIMPING TOOL DEFINITION: SEE CS-98658-001.

INDICATION DIMENSIONS S.P.C DENOTES S.P.C DIMENSIONS	INDICATION DIMENSIONS DETERMINANT LES CAPACITES MACHINE
INDICATION DIMENSIONS DETERMINING THE MACHINE'S ABILITIES	INDICATION DIMENSIONS FONCTIONNELLES DENOTES FUNCTIONAL DIMENSIONS
QUANTITE PAR FEUILLE INDIVIDUELLE QUANTITY PER INDIVIDUAL SHEET	
☒ - 2	● - 4

CHANGED DR. E & F FOR 0.5 mmZ EC NO: GZ008-049Z DRAWING: GRANDCL CHKD: MANDRE APPROVAL: LEKER	2008/12/04	2008/12/02	2008/12/08	DESCRIPTION	GENERAL TOLERANCES (UNLESS SPECIFIED)	DIMENSION STYLE MM ONLY	SCALE 10:1	DESIGN UNITS METRIC	FIRST ANGLE PROJECTION
	4 PLACES ± --- ± ---	3 PLACES ± --- ± ---	2 PLACES ± 0. ± ---	1 PLACE ± 0. ± ---	ANGULAR ± 1/2°	DRAWN BY JAMSSON	DATE 1998/06/01	TITLE MOX 0.63 TERMINAL RECEPTACLE TERMINAL GENERIC CONTROL DRAWING	MOLEX INCORPORATED
	DRAFT WHERE APPLICABLE MUST REMAIN WITHIN DIMENSIONS	SEE CHART	THIS DRAWING CONTAINS INFORMATION THAT IS PROPRIETARY TO MOLEX INCORPORATED AND SHOULD NOT BE USED WITHOUT WRITTEN PERMISSION		MATERIAL NO.	DOCUMENT NO. SD-98658-004	SHEET NO. 1 OF 1		