

PLEASE CHECK WWW.MOLEX.COM FOR LATEST PART INFORMATION

Part Number: **5009980900**
Status: **Active**
Description: 2.50mm (.098") Pitch SD Memory Card Connector, Shielded, Top Mount, Push-Push Ejector, Embossed Tape Packaging, Lead-free

Documents:

[3D Model](#) [Product Specification PS-500998-003 \(PDF\)](#)
[Drawing \(PDF\)](#) [RoHS Certificate of Compliance \(PDF\)](#)

General

Product Family	Memory Card Sockets
Series	500998
Button Type	Push-Push
Component Type	Header & Ejector (Host)
Product Name	SD Card
Type	N/A

Physical

Card Detection Switch	Open
Circuits (Loaded)	9
Color - Resin	Black
Durability (mating cycles max)	10,000
Ejector Button Side	Left
Entry Angle	90° Angle (Side Entry)
Keying to Mating Part	Yes
Material - Metal	Brass, Phosphor Bronze, Stainless Steel, Steel
Material - Plating Mating	Gold
Material - Plating Termination	Gold, Tin
Material - Resin	High Temperature Thermoplastic
PCB Locator	Yes
PCB Mounting Side	Normal
PCB Retention	Yes
Packaging Type	Embossed Tape on Reel
Pitch - Mating Interface (in)	0.098 In
Pitch - Mating Interface (mm)	2.50 mm
Plating min: Mating (µin)	8
Plating min: Mating (µm)	0.2
Plating min: Termination (µin)	2, 40
Plating min: Termination (µm)	0.05, 1
Ports	1
Temperature Range - Operating	-25°C to +90°C
Termination Interface: Style	Surface Mount

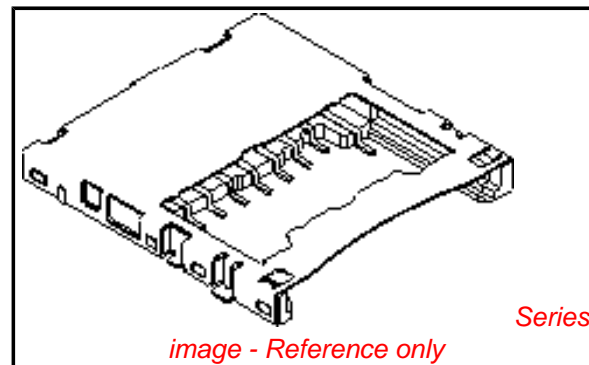
Electrical

Current - Maximum per Contact	0.5A
Shielded	Yes
Voltage - Maximum	100V AC

Material Info

Reference - Drawing Numbers

Product Specification	PS-500998-003, RPS-500998-001, RPS-500998-033, RPS-500998-034, RPS-500998-035, RPS-500998-036
Sales Drawing	SD-500998-001, SD-500998-007



EU RoHS
ELV and RoHS
Compliant
REACH SVHC
 Not Reviewed
Halogen-Free
Status
 Not Reviewed

China RoHS



Need more information on product environmental compliance?

Email productcompliance@molex.com
 For a multiple part number RoHS Certificate of Compliance, [click here](#)

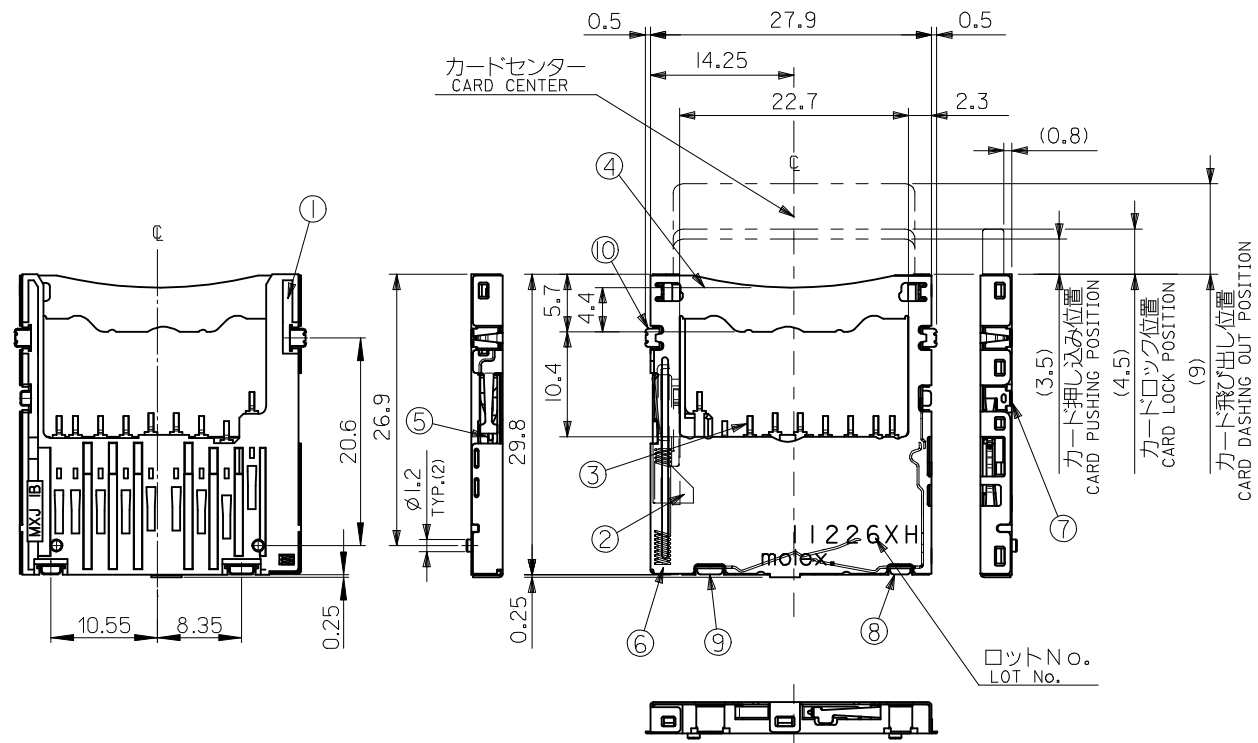
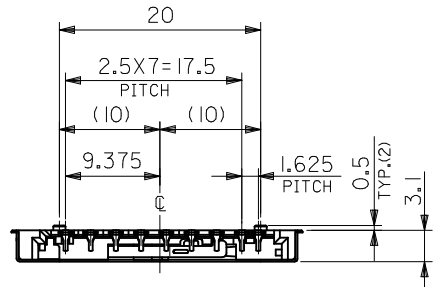
Please visit the [Contact Us](#) section for any non-product compliance questions.

Search Parts in this Series
 500998Series

Use With
 SD Card

This document was generated on 04/19/2010

PLEASE CHECK WWW.MOLEX.COM FOR LATEST PART INFORMATION



NO.	NAME	QTY	MATERIAL
①	ハウジング HOUSING	1	耐熱樹脂 ,UL94V-0 色:黒 HEAT RESISTANCE POLYMER ,UL94V-0,BLACK
②	スライダーカム SLIDER CAM	1	耐熱樹脂 ,UL94V-0 色:黒 HEAT RESISTANCE POLYMER ,UL94V-0,BLACK
③	ターミナル TERMINAL	9	銅合金 , 接点部:金メッキ COPPER ALLOY ,SELECTIVE Au PLATING
④	メタルカバー METAL COVER	1	ステンレス鋼 STAINLESS STEEL
⑤	ピン PIN	1	ステンレス鋼 STAINLESS STEEL
⑥	スプリング SPRING	2	ピアノ線 SWP
⑦	プロテクトターミナル PROTECT TERMINAL	1	銅合金 , 接点部:金メッキ COPPER ALLOY ,SELECTIVE Au PLATING
⑧	プロテクト& ディテクトターミナル PROTECT TERMINAL AND DETECT TERMINAL	1	銅合金 , 接点部:金メッキ COPPER ALLOY ,SELECTIVE Au PLATING
⑨	ディテクトターミナル DETECT TERMINAL	1	銅合金 , 接点部:金メッキ COPPER ALLOY ,SELECTIVE Au PLATING
⑩	ネール NAIL	2	銅合金 , 錫メッキ COPPER ALLOY ,TIN PLATING

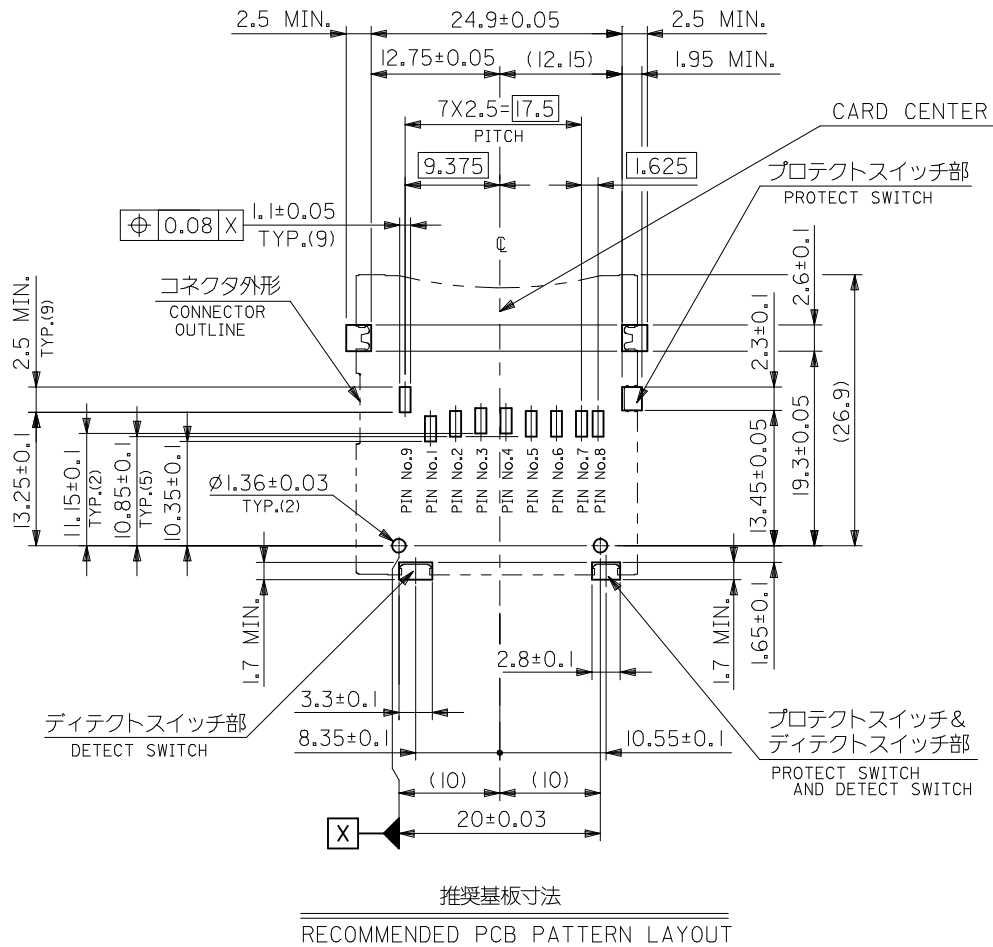
NOTES

- ターミナル及びネール平坦度は 0.1 MAX.
TERMINAL AND NAIL COPLANARITY TO BE 0.1 MAX.
- 各スイッチのオープン/クローズ
OPENING/CLOSE OF EACH SWITCH
- 納入時、プッシュプッシュ機構はアンロック状態。(カード飛び出し位置)
WHEN DELIVERING, THE PUSH/PUSH MECHANISM IS IN THE STATE OF THE UNLOCK. (CARD DASHING OUT POSITION)

	プロテクトターミナル PROTECT TERMINAL		ディテクトターミナル DETECT TERMINAL
	カード書き込み 禁止状態 WRITE PROTECT POSITION	カード書き込み 可能状態 WRITE ENABLE POSITION	
カード未装着状態 CARD UNINSERTION	オープン OPEN	オープン OPEN	オープン OPEN
カード装着過程 CARD HALF INSERTION	クローズ CLOSE	クローズ CLOSE	オープン OPEN
カード装着 CARD INSERTION	オープン OPEN	クローズ CLOSE	クローズ CLOSE

500998-0900 500998-0909
エンボス梱包品 製品番号 (トレイ梱包品)
EMBOSSED TRAY PACKAGE MATERIAL NO. (TRAY PACKAGE)
MODEL NO.: 500998-****

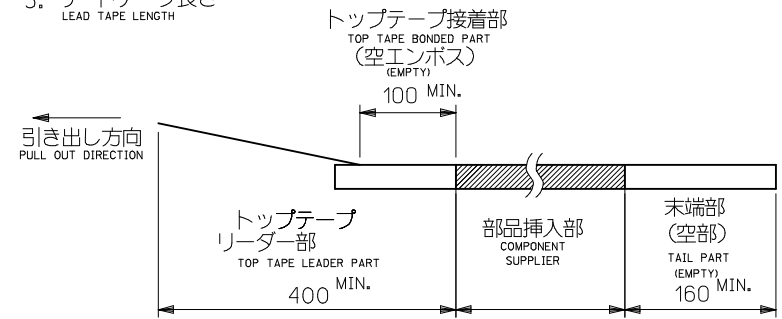
REVISED EC NO: J2007-1866 DRWN: MABEL 2007/01/17 CHKD: XTOYODA 2007/01/25 APPR: NUKITA 2007/01/25	GENERAL TOLERANCES (UNLESS SPECIFIED)		DIMENSION STYLE MM ONLY	SCALE 2:1	DESIGN UNITS METRIC	THIRD ANGLE PROJECTION
	10 UNDER	±0.2	DRAWN BY YSUGIURA	DATE 2004/12/07	TITLE SD CARD CONN. ASS'Y (NOMAL TYPE) -LEAD FREE-	
	10 OVER 30 UNDER	±0.25	CHECKED BY MTANAKA	DATE 2004/12/07	MOLEX INCORPORATED	
	30 OVER	±0.3	APPROVED BY NUKITA	DATE 2004/12/07	MATERIAL NO. SEE CHART	DOCUMENT NO. SD-500998-001
REV	DESCRIPTION	ANGULAR ±3 °	THIS DRAWING CONTAINS INFORMATION THAT IS PROPRIETARY TO MOLEX INCORPORATED AND SHOULD NOT BE USED WITHOUT WRITTEN PERMISSION			



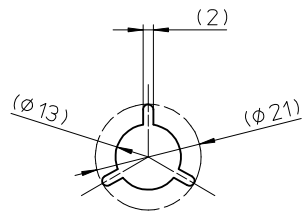
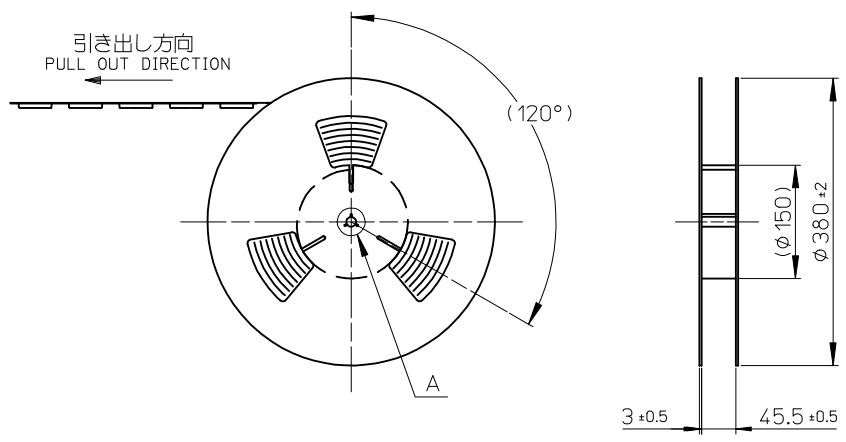
REVISED EC NO: J2007-1866 DRWN: MWABEI 2007/01/17 CHKD: KTOYODA 2007/01/25 APPR: NUKITA 2007/01/25 REV: C	GENERAL TOLERANCES (UNLESS SPECIFIED)		DIMENSION STYLE MM ONLY	SCALE 2:1	DESIGN UNITS METRIC	THIRD ANGLE PROJECTION	
	10 UNDER	±0.2	DRAWN BY YSUGIURA	DATE 2004/12/07	TITLE SD CARD CONN. ASS'Y (NOMAL TYPE) - LEAD FREE -		
	10 OVER 30 UNDER	±0.25	CHECKED BY MTANAKA	DATE 2004/12/07	MOLEX INCORPORATED		
	30 OVER	±0.3	APPROVED BY NUKITA	DATE 2004/12/07	MATERIAL NO. SEE SHEET 1 OF 2	DOCUMENT NO. SD-500998-001	SHEET NO. 2 OF 2
	ANGULAR ±3 °		THIS DRAWING CONTAINS INFORMATION THAT IS PROPRIETARY TO MOLEX INCORPORATED AND SHOULD NOT BE USED WITHOUT WRITTEN PERMISSION				
DRAFT WHERE APPLICABLE MUST REMAIN WITHIN DIMENSIONS							

注)
NOTES

- 製品番号 500998-0909の詳細寸法については、SD図面を参照下さい。
IN THE PACKAGE, PART NO. 500998-0909 DETAILED DIMENSIONS, SEE SALES DRAWING.
- 梱包数量 : 400 個/リール
NUMBER OF CONNECTORS : 400 PCS/REEL
- リードテープ長さ
LEAD TAPE LENGTH



- 材料
MATERIAL
キャリアテープ : ポリプロピレン (PP)
CARRIER TAPE : POLYPROPYLENE (PP)
トップテープ : PET, PE, PEF
TOP TAPE : PET, PE, PEF
リール : 紙/プラスチック
REEL : CARD BOARD/PLASTIC

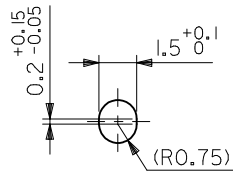


DETAIL A
SCALE 1:1

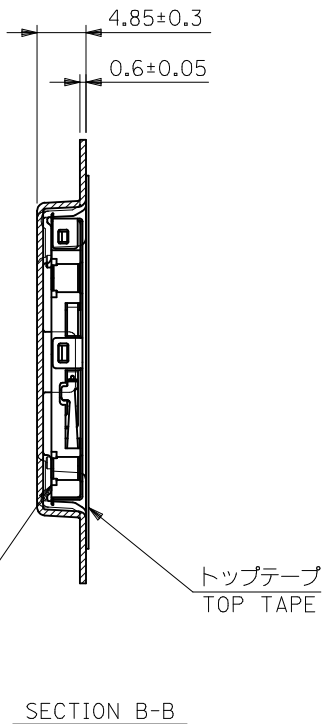
500998-0900	500998-****
MATERIAL No.	MODEL No.

REVISED EC NO.: J2006-3331 DRWN: TAKEMOTO 2006/04/25 CHKD: MTANAKA 2006/04/26 APPR: NUKITA 2006/05/01	DESCRIPTION REV	GENERAL TOLERANCES (UNLESS SPECIFIED)	DIMENSION STYLE MM ONLY	SCALE ---	DESIGN UNITS METRIC	THIRD ANGLE PROJECTION
		10 UNDER ±0.2	DRAWN BY YSUGIURA	DATE 2004/12/10	TITLE EMBOSS TAPE PACKAGE FOR 500998-0909 - LEAD FREE -	
		10 OVER 30 UNDER ±0.25	CHECKED BY MTANAKA	DATE 2004/12/10	MOLEX INCORPORATED	
		30 OVER ±0.3	APPROVED BY NUKITA	DATE 2004/12/10	MATERIAL NO. SEE CHART	DOCUMENT NO. SD-500998-007
ANGULAR ±3 °		DRAFT WHERE APPLICABLE MUST REMAIN WITHIN DIMENSIONS		THIS DRAWING CONTAINS INFORMATION THAT IS PROPRIETARY TO MOLEX INCORPORATED AND SHOULD NOT BE USED WITHOUT WRITTEN PERMISSION		

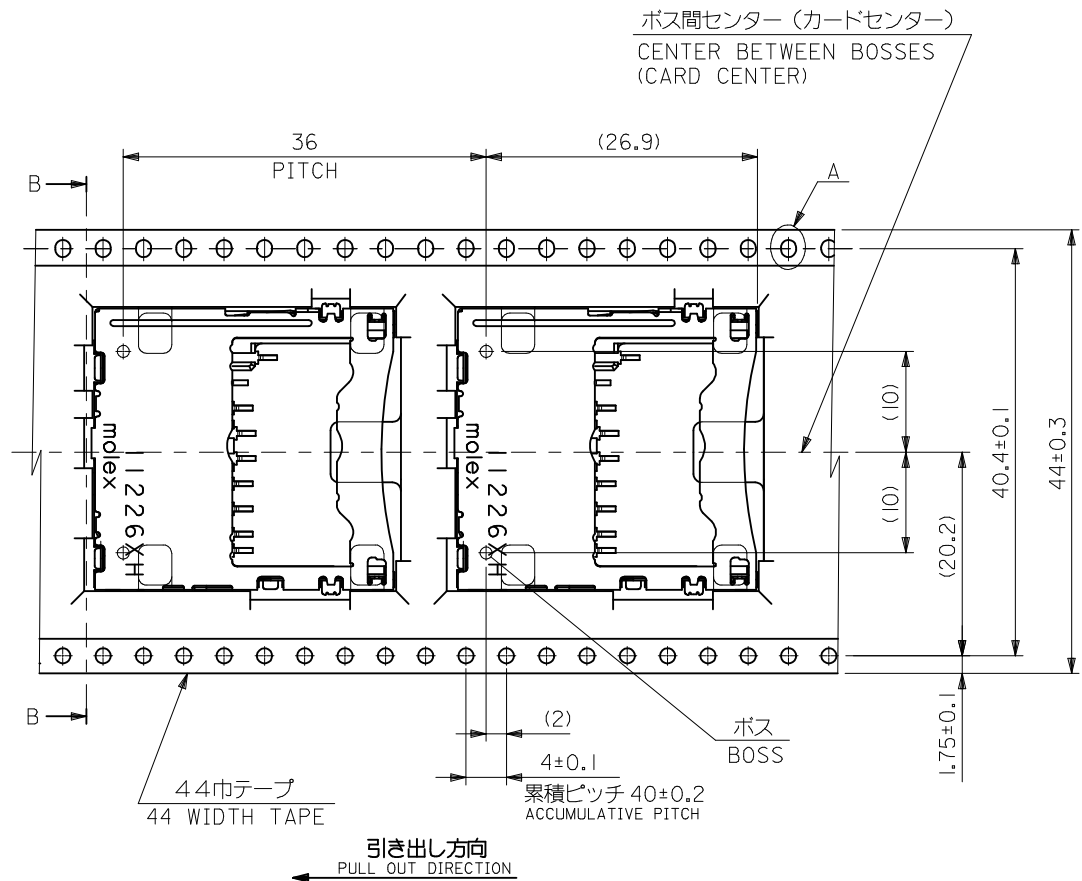
10 9 8 7 6 5 4 3 2 1



DETAIL A
(5-1)



SECTION B-B



REVISED EC NO.: J2006-3331 DRWN: TAKEMOTO 2006/04/25 CHKD: MTANAKA 2006/04/26 APPR: NUKITA 2006/05/01	GENERAL TOLERANCES (UNLESS SPECIFIED)		DIMENSION STYLE MM ONLY	SCALE ---	DESIGN UNITS METRIC	THIRD ANGLE PROJECTION
	10 UNDER	±0.2	DRAWN BY YSUGIURA	DATE 2004/12/10	TITLE EMBOSS TAPE PACKAGE FOR 500998-0909 - LEAD FREE -	
	10 OVER 30 UNDER	±0.25	CHECKED BY MTANAKA	DATE 2004/12/10	MOLEX INCORPORATED	
	30 OVER	±0.3	APPROVED BY NUKITA	DATE 2004/12/10	MATERIAL NO. SEE SHEET 1 OF 2	DOCUMENT NO. SD-500998-007
DESCRIPTION	ANGULAR ±3 °		THIS DRAWING CONTAINS INFORMATION THAT IS PROPRIETARY TO MOLEX INCORPORATED AND SHOULD NOT BE USED WITHOUT WRITTEN PERMISSION			
REV	DRAFT WHERE APPLICABLE MUST REMAIN WITHIN DIMENSIONS					