

**PLEASE CHECK WWW.MOLEX.COM FOR LATEST PART INFORMATION**

**Part Number:** [0350230013](#)  
**Status:** **Active**  
**Description:** 2.00mm (.079") Pitch Board-In Crimp Housing, 13 Circuits

**Documents:**

<a href="#">3D Model</a>	<a href="#">Product Specification PS-35044-001 (PDF)</a>
<a href="#">Drawing (PDF)</a>	<a href="#">RoHS Certificate of Compliance (PDF)</a>
<a href="#">Product Specification PS-35023-001 (PDF)</a>	

**Agency Certification**

CSA	LR19980
UL	E29179

**General**

Product Family	Crimp Housings
Series	<a href="#">35023</a>
Product Name	Board-In

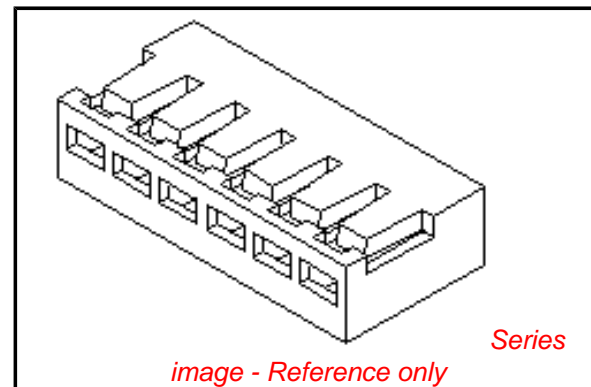
**Physical**

Circuits (maximum)	13
Color - Resin	Natural
Flammability	94V-0
Gender	Female
Glow-Wire Compliant	No
Material - Resin	Nylon
Number of Rows	1
Packaging Type	Bag
Panel Mount	No
Pitch - Mating Interface (in)	0.079 In
Pitch - Mating Interface (mm)	2.00 mm
Stackable	No
Temperature Range - Operating	-40°C to +105°C

**Material Info**

**Reference - Drawing Numbers**

Product Specification	PS-35023-001, PS-35044-001
Sales Drawing	SD-35023-*0**, SD-35023-001



**EU RoHS**

**ELV and RoHS  
Compliant**  
**REACH SVHC  
Contains SVHC: No**  
**Halogen-Free  
Status  
Not Reviewed**

**China RoHS**



**Need more information on product  
environmental compliance?**

Email [productcompliance@molex.com](mailto:productcompliance@molex.com)  
 For a multiple part number RoHS Certificate of  
 Compliance, [click here](#)

Please visit the [Contact Us](#) section for any  
 non-product compliance questions.

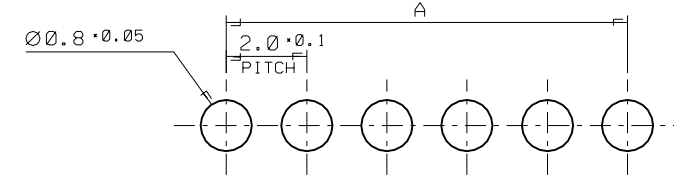
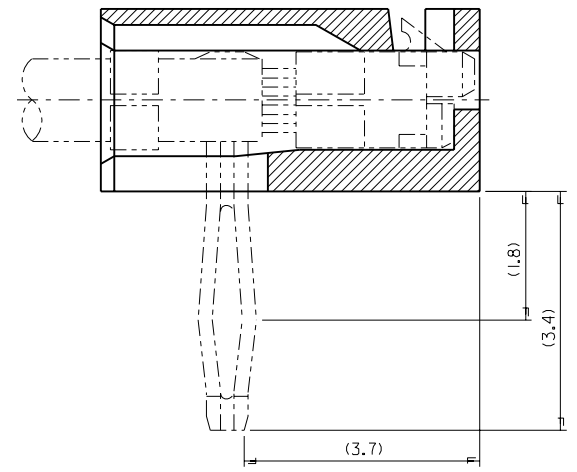
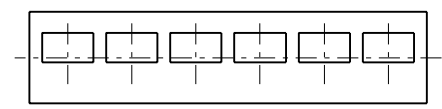
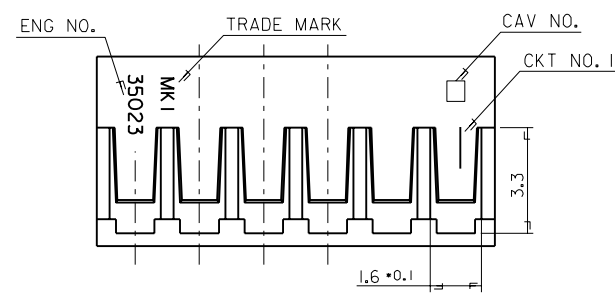
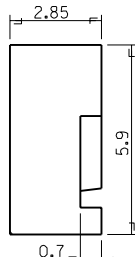
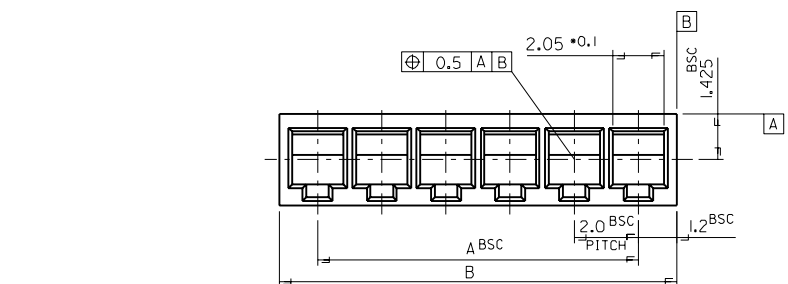
**Search Parts in this Series**

[35023Series](#)

**Use With**

[35044](#) , [35021](#)

DWG. NO. SD 35023-\*0\*\*  
 SIMILAR ITEM 35023-\*0\*\*  
 PROJECT NO. 35023-\*0\*\*  
 DO NOT SCALE DRAWING DIMENSION IN METRIC



P.C. BOARD LAY OUT  
(THK. = 1.6T)

- NOTE
- MATERIAL : NYLON 66 UL94V-0
  - APPLIED TERMINAL : 35021-I201/I301
  - PRODUCT SPECIFICATION : PS-35023

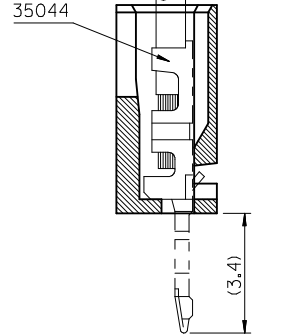
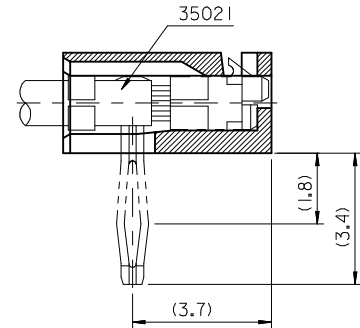
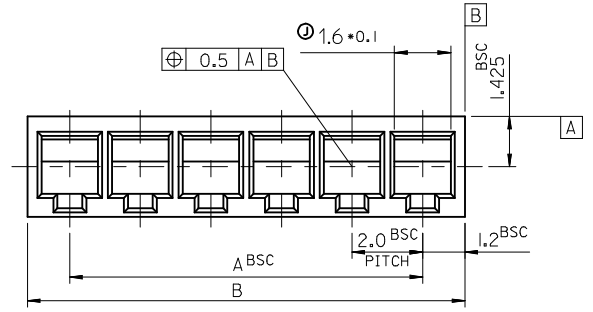
LEGEND

35023 - \*0\*\* CKT.(02,03,04....)

COLOR : 0 --- NATURAL  
1 --- BLACK

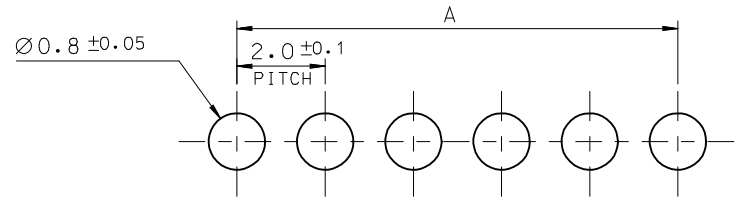
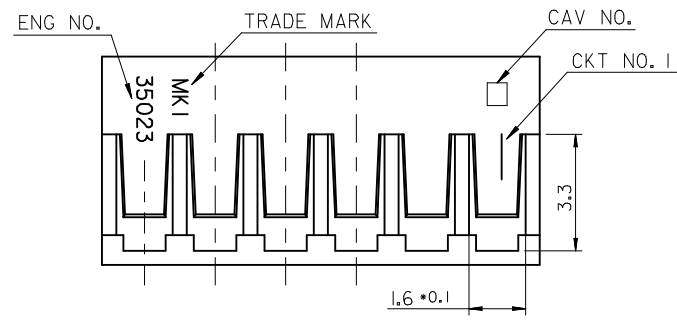
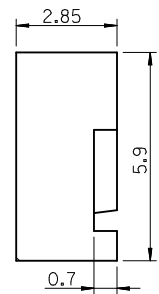
32.4	30.0	35023-*016	16	18.4	16.0	-*009	9
30.4	28.0	-*015	15	14.4	14.0	-*008	8
28.4	26.0	-*014	14	12.4	10.0	-*006	6
26.4	24.0	-*013	13	10.4	8.0	-*005	5
24.4	22.0	-*012	12	8.4	6.0	-*004	4
22.4	20.0	-*011	11	6.4	4.0	-*003	3
20.4	18.0	-*010	10	4.4	2.0	35023-*002	2
B	A	ENG NO.	CKT NO.	B	A	ENG NO.	CKT NO.

REVISED EC NO. KOR.999-0007 DRWN: K.S.KIM(990111) CHK: J.K.OH APPR: C.W.LEE	DESCRIPTION MAJOR CRITICAL	QUALITY SYMBOLS		GENERAL TOLERANCES: (UNLESS SPECIFIED)		SCALE 7-1	DESIGN UNITS <input checked="" type="checkbox"/> mm <input type="checkbox"/> INCH	DIMENSIONS: <input type="checkbox"/> mm <input type="checkbox"/> INCH <input checked="" type="checkbox"/> mm ONLY		SHT 7	REV 1		
		4 PLACES $\pm 0.$	3 PLACES $\pm 0.$	2 PLACES $\pm 0.$	1 PLACE $\pm 0.3$	mm $\pm$	INCH $\pm$	DRAWN BY & DATE H.S.SHIN(931026)		TITLE: 2.0mm PITCH B-IN CONN. HOUSING(S/T)		SHEET NO. IOF1	SIZE B
		APPROVED BY & DATE C.W.LEE		CAD FILENAME SD35023.DGN		MATERIAL NO. 35023-*0**		DRAWING NO. SD 35023-*0**		MOLEX INCORPORATED KOREA			
		DRAFT WHERE APPLICABLE MUST REMAIN WITHIN DIMENSIONS						THIS DRAWING CONTAINS INFORMATION THAT IS PROPRIETARY TO MOLEX INCORPORATED AND SHOULD NOT BE USED WITHOUT WRITTEN PERMISSION.					

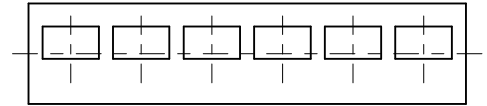


RIGHT ANGLE TYPE

STRAIGHT TYPE



P.C. BOARD LAY OUT  
(THK.: 1.6+)



				18.4	16.0	- ****	9
32.4	30.0	35023- ****	16	16.4	14.0	- ****	8
30.4	28.0	- ****	15	14.4	12.0	- ****	7
28.4	26.0	- ****	14	12.4	10.0	- ****	6
26.4	24.0	- ****	13	10.4	8.0	- ****	5
24.4	22.0	- ****	12	8.4	6.0	- ****	4
22.4	20.0	- ****	11	6.4	4.0	- ****	3
20.4	18.0	- ****	10	4.4	2.0	35023- ****	2
B	A	ENG NO.	CKT NO.	B	A	ENG NO.	CKT NO.

NOTE

- MATERIAL : NYLON 66 UL94V-0
- APPLIED TERMINAL : 35021-1201/1301,35044
- PRODUCT SPECIFICATION : PS-35023

LEGEND (ZYTEL FE13001)

35023 - \*0 \*\* CKT.(02,03,04....)

COLOR : 0 --- NATURAL  
I --- BLACK

① LEGEND (TECHNYL A50H1,HF Version)

35023 - \*\*6\* --- COLOR : 0 --- NATURAL  
I --- BLACK  
CKT.(02,03,04....)

REVISED	DESCRIPTION	QUALITY SYMBOLS
EC NO: KOR2010-0015	2009/07/28	▽=0
DRWN: JHPARK01	2009/07/30	∇=0
CHKD: WY. YANG	2009/07/30	
APPR: YUNSIKIM	2009/07/30	

GENERAL TOLERANCES (UNLESS SPECIFIED)	
mm	INCH
4 PLACES ± ---	± ---
3 PLACES ± ---	± ---
2 PLACES ± 0.2	± ---
1 PLACE ± 0.3	± ---
ANGULAR ± 1 °	
DRAFT WHERE APPLICABLE MUST REMAIN WITHIN DIMENSIONS	

DIMENSION STYLE	
MM ONLY	
DRAWN BY	DATE
HS. SHIN	1993/10/26
CHECKED BY	DATE
JK. OH	1993/10/26
APPROVED BY	DATE
CW. LEE	1993/10/26
MATERIAL NO.	
SEE TABLE	
SIZE	
A3	

SCALE	DESIGN UNITS	THIRD ANGLE PROJECTION
1:1	METRIC	☉
TITLE		
2.0 PITCH B-IN CONN. HOUSING(S/T)		
MOLEX INCORPORATED		
DOCUMENT NO.	SHEET NO.	
SD-35023-001	1 OF 01	
THIS DRAWING CONTAINS INFORMATION THAT IS PROPRIETARY TO MOLEX INCORPORATED AND SHOULD NOT BE USED WITHOUT WRITTEN PERMISSION		