

**GaAs SPDT Reflective Switch with TTL/CMOS Control Input,
DC-3.0 GHz**

**SW-110-PIN
V5**

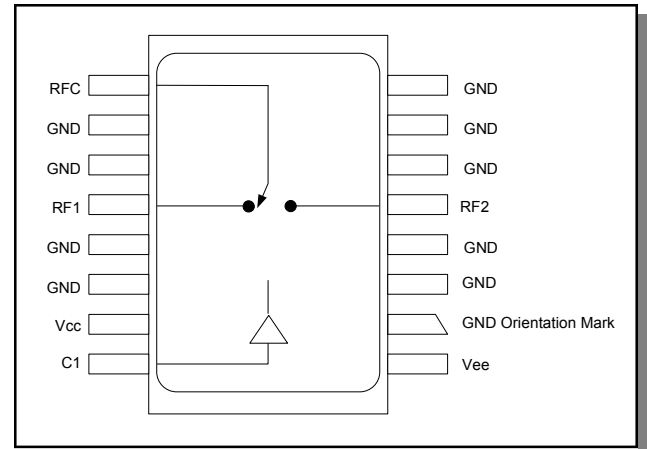
Features

- 1 dB Compression Point: +39 dBm Typical, -8V Control
- IP₃: +65 dBm Typical, -8V Control
- Insertion Loss: 0.45 dB Typical
- Low Power Consumption
- Fast Switching Speed
- 50 Ohm Nominal Impedance
- Lead-Free CR-9 Package
- 260°C Reflow Compatible

Description

M/A-COM's SW-110-PIN is a GaAs MMIC SPDT reflective switch with an integral silicon ASIC driver. This device is in a 16 lead ceramic surface mount package. These switches exhibit excellent performance and repeatability from DC to 3.0 GHz, with very low DC power dissipation. The SW-110-PIN is ideally suited for RF/IF communications applications. Environmental screening is available. Contract the factory for information.

Functional Block Diagram



Ordering Information

Part Number	Package
SW-110-PIN	Bulk Packaging
MASW-008844-0001TB	Sample Test Board

Note: Reference Application Note M513 for reel size information.

Note: Die quantity varies.

Pin Configuration

Pin No.	Function	Pin No.	Function
1	Vee	9	RFC
2	GND	10	GND
3	GND	11	GND
4	GND	12	RF1
5	RF2	13	GND
6	GND	14	GND
7	GND	15	Vcc
8	GND	16	C1

The metal bottom of the case must be connected to RF and DC ground.

* Restrictions on Hazardous Substances, European Union Directive 2002/95/EC.

**GaAs SPDT Reflective Switch with TTL/CMOS Control Input,
DC-3.0 GHz**

**SW-110-PIN
V5**

Electrical Specifications: $T_A = 25^\circ\text{C}^{1,2,3}$

Parameter	Test Conditions	Frequency	Units	Min	Typ	Max
Reference Insertion Loss	—	DC - 0.5 GHz	dB	—	—	0.6
		DC - 1.0 GHz	dB	—	—	0.7
		DC - 2.0 GHz	dB	—	—	0.9
		DC - 3.0 GHz	dB	—	—	1.1
Isolation	—	DC - 0.5 GHz	dB	40	—	—
		DC - 1.0 GHz	dB	35	—	—
		DC - 2.0 GHz	dB	24	—	—
		DC - 3.0 GHz	dB	18	—	—
VSWR	—	DC - 0.5 GHz	Ratio	—	—	1.2:1
		DC - 1.0 GHz	Ratio	—	—	1.4:1
		DC - 2.0 GHz	Ratio	—	—	1.4:1
		DC - 3.0 GHz	Ratio	—	—	1.5:1
Trise, Tfall Ton, Toff Transients	10% to 90% 1.3V Control to 90/10% RF In-band (peak-peak)	—	nS	—	12	—
		—	nS	—	35	—
		—	mV	—	30	—
1 dB Compression	Input Power, 0.1 dB, -5V Control Input Power, 1.0 dB, -5V Control Input Power, 0.1 dB, -8V Control Input Power, 1.0 dB, -8V Control	0.9 GHz	dBm	—	+32.5	—
		0.9 GHz	dBm	—	+32.5	—
		0.9 GHz	dBm	—	+32.5	—
		0.9 GHz	dBm	—	+39.5	—
Input IP ₃	For two-tone Input power up to +10 dBm -5V Control -8V Control	0.9 GHz	dBm	—	+61	—
		0.9 GHz	dBm	—	+65	—
V _{cc} V _{ee}		— —	V V	4.5 -8.0	5.0 —	5.5 -5.0
I _{cc}	V _{cc} = 4.5 to 5.5V V _{ctl} = 0 to 0.8V, or V _{CC} - 2.1V to V _{CC}	—	mA	—	—	1.0
I _{ee}	V _{ee} = -5.0 to -8.0V	—	mA	—	—	1.0
V _{ctl} V _{ct1}	Logic 0 (TTL) Logic 1 (TTL)	— —	V V	0.0 2.0	— —	0.8 5.0
Input Leakage Current (Low)	0 to 0.8V	—	μA	—	—	1.0
Input Leakage Current (High)	2.0 to 5.0V	—	μA	—	—	1.0

1. All specifications apply when operated with bias voltages of +5V for V_{cc} and -5.0V to -8.0V for V_{ee}, and 50 Ohm impedance at all RF ports unless otherwise specified.
2. For this switch to meet the guaranteed specifications, it is necessary to have a DC return on either RF1 or RF2. The DC return can be either a 10k Ohm resistor, or an RF choke.
3. High Power (greater than 1W) handling specifications apply to cold switching only. For input powers under 1W, hot switching can be used.

**GaAs SPDT Reflective Switch with TTL/CMOS Control Input,
DC-3.0 GHz**

**SW-110-PIN
V5**

Absolute Maximum Ratings ^{4,5}

Parameter	Absolute Maximum
Max Input Power 0.05 GHz 0.5 - 3.0 GHz -5V Control -8V Control	+35 +36 +39
Power Dissipation ^{6,7}	2.0W
Control Voltage	-0.5V to V _{CC} to 0.5V
Operating Temperature	-55°C to +125°C
Storage Temperature	-65°C to +150°C
Junction Temperature	+175°C
Thermal Resistance θ_{jc}	+50°C/W

4. Exceeding any one or combination of these limits may cause permanent damage to this device.
5. M/A-COM does not recommend sustained operation near these survivability limits.
6. T_{case} = 25°C, where T_{case} is the temperature at the bottom of the case.
7. Special consideration must be given to the mounting of the switch to minimize the thermal resistance. The bottom of the case should be thermally attached to the mounting surface to maintain the junction temperature under the absolute maximum rating.

Handling Procedures

Please observe the following precautions to avoid damage:

Static Sensitivity

Gallium Arsenide Integrated Circuits are sensitive to electrostatic discharge (ESD) and can be damaged by static electricity. Proper ESD control techniques should be used when handling these devices.

Truth Table (Switch)

Control Inputs	Condition of Switch RF Common to each RF Port		
	C1	RF1	RF2
0	On	Off	Off
1	Off	Off	On

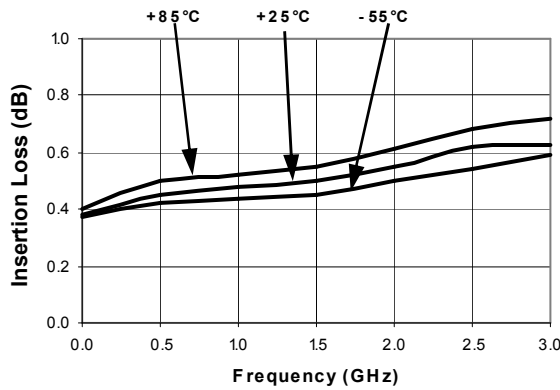
0 = TTL Low; 1 = TTL High

Two Tone IP₃ Measurements

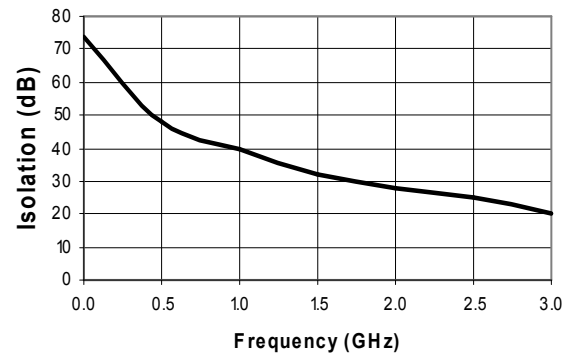
Bias Voltage	Input Power for Each Tone (dBm)	3rd Order Intermod Products (dBc)	IP3 (dBm)	Second Harmonic (dBc)
0, -5V	+27	-34	+44	-61
0, -6V	+27	-49	+51	-61
0, -7V	+27	-64	+59	-63
0, -8V	+27	-65	+59	-63
0, -5V	+28	-30	+43	-58
0, -6V	+28	-41	+48	-58
0, -7V	+28	-52	+54	-57
0, -8V	+28	-60	+58	-57
0, -5V	+29	-28	+43	-54
0, -6V	+29	-34	+46	-54
0, -7V	+29	-44	+51	-54
0, -8V	+29	-52	+55	-54
0, -5V	+30	-26	+43	-52
0, -6V	+30	-32	+46	-51
0, -7V	+30	-38	+49	-51
0, -8V	+30	-44	+52	-51

Typical Performance Curves

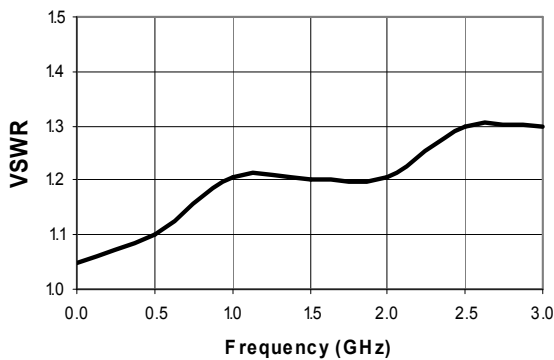
Insertion Loss vs. Frequency



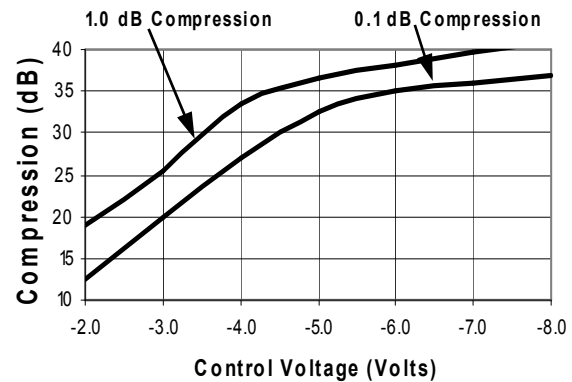
Isolation vs. Frequency



VSWR vs. Frequency



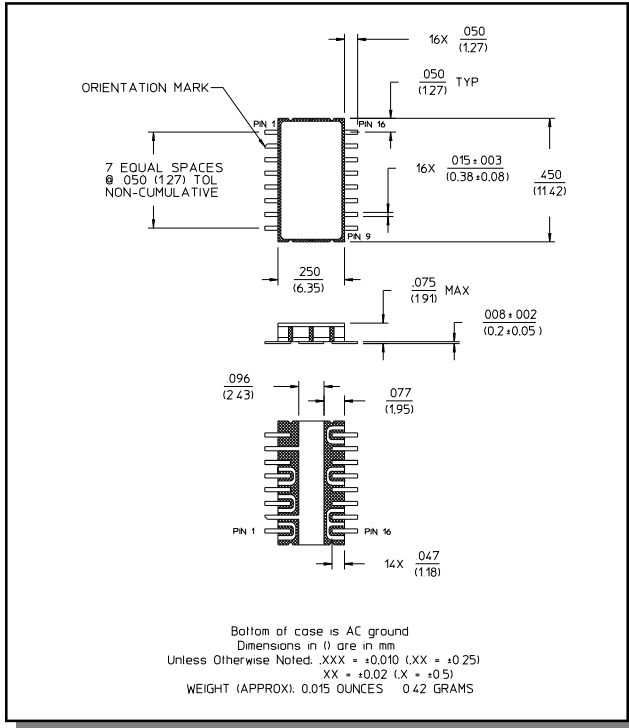
Compression vs. Control Voltage at 900 MHz



**GaAs SPDT Reflective Switch with TTL/CMOS Control Input,
DC-3.0 GHz**

**SW-110-PIN
V5**

Lead-Free, CR-9 Ceramic Package[†]



[†] Reference Application Note M538 for lead-free solder reflow recommendations.