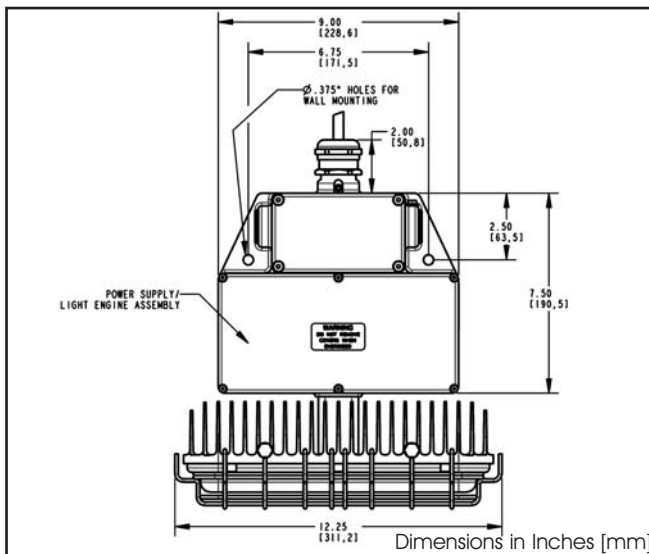




## Application:

Dialight introduces the new state of the art fixture for hazardous location lighting. Its rugged solid state design creates a new era where failed lamps and expensive relamping costs become a thing of the past. This light incorporates both cutting edge LED technology along with proprietary optics to achieve area lighting comparable with other traditional light sources. By focusing the light where it is needed, the SafeSite Series is the most efficient light source available for hazardous area lighting applications. Whether your application is in a refinery, oil platform, chemical plant or any other ATEX Zone 2 or 22 application, this fixture offers improved performance across the board.

## SafeSite® ATEX LED Area Light



### Certifications & Ratings:

- ▷ 3 G Ex nA II T4 (incorporates wire cage)
- ▷ 3 D tD B22 IP66 T1 (incorporates wire cage)
- ▷ Certified to NEMA 4X
- ▷ CE compliant
- ▷ IP66 rated

### Features & Benefits:

- ▷ Low power consumption
- ▷ Instant on/off response
- ▷ Weather/corrosion resistant lamp assembly and housing
- ▷ Universal input (100-277 VAC), 50/60 Hz
- ▷ Resistant to shock (IEC 68-2-27) and vibration (FAA 150/5345-46C)
- ▷ 5 year warranty
- ▷ 70% lumen maintenance over 60,000 operating hours

### Order Codes:

SafeSite ATEX 150 Series	
HZC041501111201	ATEX Cert - 180 Degree
HZC041501111301	ATEX Cert - 360 Degree
SafeSite ATEX 250 Series	
HZC042501111201	ATEX Cert - 180 Degree
HZC042501111301	ATEX Cert - 360 Degree

### Mechanical Information:

**Container Dimensions:** 15" X 16" X 10"  
381mm x 407mm x 254mm

**Container Weight:** 19 lbs (8.2 kg)

**Mounting:** Threaded 1" NPT on 3 sides of splice box

### Electrical specifications:

**Operating Voltage:** 100-277 VAC, 50/60 Hz  
(DC versions available - consult factory)

**Power Consumption:** 100W

**Amps:** 0.83

**Operating Temp:** -40°F to +133°F (-40°C to +55°C)

**Harmonics:** IEC 6100-3-2

**Surge / Lightning Protection:** 1 kV line to line  
2 kV line to ground

**THD:** <15% (277VAC)  
<10% (230/240VAC)  
<5% (120VAC)

**Power Factor:** > 0.9

### Material:

**Lens:** UV stabilized Polycarbonate with enhanced abrasive resistance

**Body:** Grey powder coated aluminum

**Heat sink:** Grey powder coated aluminum

**Accessories (hardware):** Stainless steel

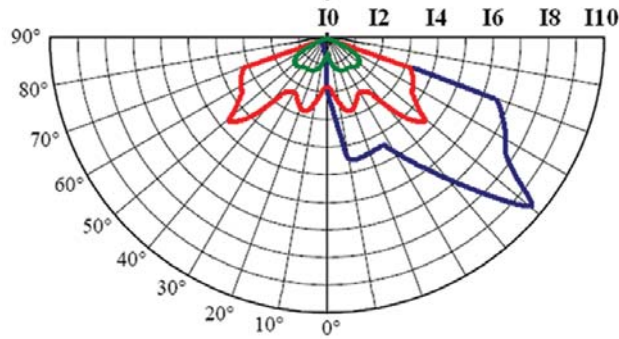
### Photometric Information:

**CRI (typ):** 70

**CCT:** 4500-7000K

# Light Measurement Data

## Intensity Distribution



- FRONT/BACK**
- 180 Degree Pattern
- 360 Degree Pattern
- SIDES**
- 180 Degree Pattern
- 360 Degree Pattern

## ATEX 150 Series

I0	I2	I4	I6	I8	I10	I0	I2	I4	I6	I8	I10
0	1800	3600	5400	8100	9000	0	810	1620	2430	3240	4050

11,250 Total Lumens for Night or  
Low Light Level Conditions (scotopic)

4,950 Total Lumens for Day or  
High Light Level Conditions (photopic)

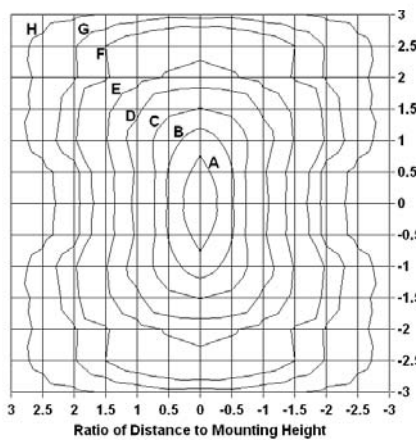
## ATEX 250 Series

I0	I2	I4	I6	I8	I10	I0	I2	I4	I6	I8	I10
0	2000	4000	6000	8000	10000	0	900	1800	2700	3600	4500

12,500 Total Lumens for Night or  
Low Light Level Conditions (scotopic)

5,500 Total Lumens for Day or  
High Light Level Conditions (photopic)

Back to Back 360 Degree Pattern



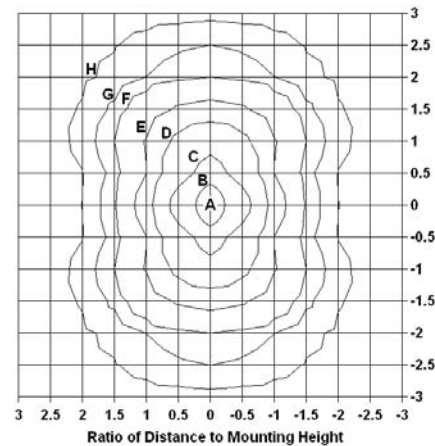
## 150 Series

Illuminance Values for Night or Low Light Level Conditions (Scotopic Footcandles)									
	A	B	C	D	E	F	G	H	
Mounting Height (ft) 4	184.7	123.1	98.5	61.6	36.9	18.5	12.3	6.2	
8	46.2	30.8	24.6	15.4	9.2	4.6	3.1	1.5	
12	20.5	13.7	10.9	6.8	4.1	2.1	1.4	0.7	
16	11.6	7.7	6.2	3.9	2.3	1.1	0.8	0.4	
20	7.4	4.9	3.9	2.5	1.5	0.7	0.5	0.2	
25	4.7	3.2	2.5	1.6	0.9	0.5	0.3	0.2	
30	3.3	2.2	1.7	1.1	0.7	0.3	0.2	0.1	
35	2.4	1.6	1.3	0.8	0.5	0.2	0.2	0.1	

Illuminance Values for Day or High Light Level Conditions (Photopic Footcandles)									
	A	B	C	D	E	F	G	H	
Mounting Height (ft) 4	81.00	54.00	43.20	27.00	16.20	8.10	5.40	2.70	
8	20.25	13.50	10.80	6.75	4.05	2.03	1.35	0.68	
12	9.00	6.00	4.80	3.00	1.80	0.90	0.60	0.30	
16	5.07	3.38	2.70	1.69	1.02	0.50	0.34	0.17	
20	3.24	2.16	1.73	1.08	0.65	0.32	0.22	0.11	
25	2.07	1.39	1.11	0.69	0.41	0.21	0.14	0.07	
30	1.44	0.96	0.77	0.48	0.29	0.14	0.10	0.05	
35	1.06	0.70	0.57	0.35	0.22	0.11	0.07	0.04	

360 Degree Pattern



## 250 Series

Illuminance Values for Night or Low Light Level Conditions (Scotopic Footcandles)									
	A	B	C	D	E	F	G	H	
Mounting Height (ft) 4	205.20	136.80	109.44	68.40	41.04	20.52	13.68	6.84	
8	51.30	34.20	27.36	17.10	10.26	5.13	3.42	1.71	
12	22.80	15.20	12.16	7.60	4.56	2.28	1.52	0.76	
16	12.83	8.55	6.84	4.28	2.57	1.28	0.86	0.43	
20	8.21	5.47	4.38	2.74	1.64	0.82	0.55	0.27	
25	5.25	3.50	2.80	1.75	1.05	0.53	0.35	0.18	
30	3.65	2.43	1.95	1.22	0.73	0.36	0.24	0.12	
35	2.68	1.79	1.43	0.89	0.54	0.27	0.18	0.09	

Illuminance Values for Day or High Light Level Conditions (Photopic Footcandles)									
	A	B	C	D	E	F	G	H	
Mounting Height (ft) 4	90.00	60.00	48.00	30.00	18.00	9.00	6.00	3.00	
8	22.50	15.00	12.00	7.50	4.50	2.25	1.50	0.75	
12	10.00	6.67	5.33	3.33	2.00	1.00	0.67	0.33	
16	5.63	3.75	3.00	1.88	1.13	0.56	0.38	0.19	
20	3.60	2.40	1.92	1.20	0.72	0.36	0.24	0.12	
25	2.30	1.54	1.23	0.77	0.46	0.23	0.15	0.08	
30	1.60	1.07	0.85	0.53	0.32	0.16	0.11	0.05	
35	1.18	0.78	0.63	0.39	0.24	0.12	0.08	0.04	

# SafeSite® LED Area Light Mounting Brackets - Single Units



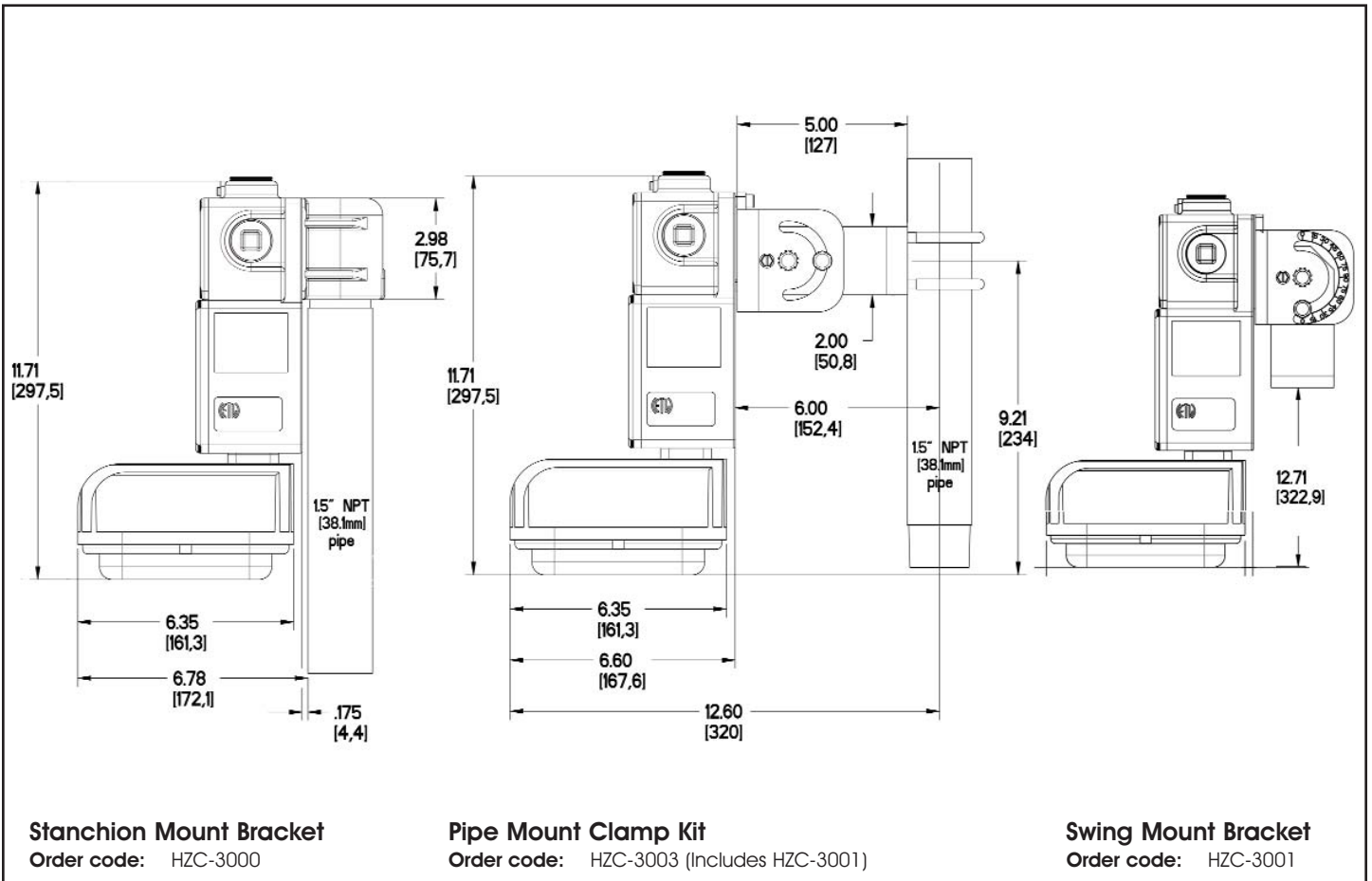
Stanchion Mount Bracket



Pipe Mount Clamp Kit



180° Adjustable Swing Mount Bracket



Dimensions in Inches [mm]

