

Preliminary Specification

Final Specification

<b>Module</b>	<b>5.7 Inch Color TFT-LCD</b>
<b>Model Name</b>	<b>G057QN01 V0</b>

Customer	Date
_____	_____
<b>Checked &amp; Approved by</b>	
_____	_____
<p>Note: This Specification is subject to change without notice.</p>	

Approved by	Date
Debbie Chiu	2008/08/04
<b>Prepared by</b>	
David Hsing	2008/06/20
<p>General Display Business Division / AU Optronics corporation</p>	

## Contents

<b>1. Operating Precautions .....</b>	<b>4</b>
<b>2. General Description.....</b>	<b>5</b>
2.1 Display Characteristics.....	5
2.2 Optical Characteristics .....	6
<b>3. Functional Block Diagram.....</b>	<b>8</b>
<b>4. Absolute Maximum Ratings .....</b>	<b>9</b>
4.1 Absolute Ratings .....	9
4.2 Absolute Ratings of Environment .....	9
<b>5. Electrical Characteristics .....</b>	<b>10</b>
5.1 TFT-LCD Driving .....	10
5.2 Backlight Unit Driving .....	11
<b>6. Signal Characteristic .....</b>	<b>12</b>
6.1 Pixel Format Image .....	12
6.2 Scanning Direction .....	12
6.3 The Input Data Format.....	13
6.4 TFT- LCD Interface Signal Description.....	14
6.5 TFT- LCD Interface Timing.....	15
6.6 LED Backlight Unit Interface Signal Description .....	16
6.7 Power ON/OFF Sequence .....	16
<b>7. Connector &amp; Pin Assignment.....</b>	<b>17</b>
7.1 TFT- LCD Signal (CN1): LCD Connector .....	17
7.2 LED Backlight Unit (CN2): Backlight Connector.....	17
7.3 PIN 1 definition of CN1 and CN2 .....	18
<b>8. Reliability Test Criteria .....</b>	<b>18</b>
<b>9. Mechanical Characteristics.....</b>	<b>20</b>
<b>10. Label and Packaging .....</b>	<b>21</b>
10.1 Shipping Label (on the rear side of TFT-LCD display) .....	21
10.2 Carton Package .....	21
<b>11 Safety .....</b>	<b>22</b>
11.1 Keen Edge Requirements .....	22
11.2 Materials.....	22
11.3 Capacitors .....	22
11.4 National Test Lab Requirement .....	22

## Record of Revision

Version and Date	Page	Old description	New Description	Remark
0.1, Oct. 04, 2007	All	First edition preliminary specifications		
0.2, Nov.20, 2007	5	No description	Add "The most suitable view angle:12 o'clock"	Section 2.1
	11	No description	Add "V <sub>F</sub> typical specification" Add "Note 1"	Section 5.2.1
	16	Pin 3: Hsync Pin 4: Vsync	Pin 3: NC Pin 4: NC	Section 7.1
	19		2D drawing update Add" Suggested applying torque: 0.15~0.2 Nm"	Section 9
0.3, Jun.19, 2008	5	Typical Power Consumption 2.19W (LCD:0.69W/LED BLU: 1.5W)	Typical Power Consumption 1.57W (LCD:0.37W/LED BLU: 1.2W)	Section 2.1
	6		Revise Optical Characteristics	Section 2.2
	9	Absolute Ratings I <sub>F</sub> : Max.=30mA V <sub>R</sub> : Max.= No definition I <sub>R</sub> : Max.= No definition	Absolute Ratings I <sub>F</sub> : Max.=20mA V <sub>R</sub> : Max.=5V I <sub>R</sub> : Max.=100 $\mu$ A	Section 4.1
	10	Power Specification IDD: Typ.=210mA PDD: Typ.=0.69W	Power Specification IDD: Typ.=115mA, Max.=130mA PDD: Typ.=0.37W, Max.=0.43W	Section 5.1.1
	11	Parameter guideline for LED I <sub>F</sub> : Max.= No definition V <sub>F</sub> : Typ.= 27.6V (I <sub>F</sub> =15mA, T <sub>a</sub> =-30 °C) V <sub>F</sub> : Typ.= 26.4V, Max.= TBD (I <sub>F</sub> =15mA, T <sub>a</sub> =25 °C) V <sub>F</sub> : Typ.= 25.2V (I <sub>F</sub> =15mA, T <sub>a</sub> =85 °C) Operating life: Min.=20000 hrs, Max.=40000 hrs	Parameter guideline for LED I <sub>F</sub> : Max.=20mA V <sub>F</sub> : Typ.= 28.0V (I <sub>F</sub> =15mA, T <sub>a</sub> =-30 °C) V <sub>F</sub> : Typ.= 26.8V, Max.=32.0V (I <sub>F</sub> =15mA, T <sub>a</sub> =25 °C) V <sub>F</sub> : Typ.= 26.1V (I <sub>F</sub> =15mA, T <sub>a</sub> =85 °C) Operating life: Min.=25000 hrs, Max.=50000 hrs	Section 5.2.1
	17	LCD Connector Manufacture: Hirose or compatible Mating Connector Model Number: FH12-33S-0.5SH (55)	LCD Connector Manufacture: Starconn or compatible Mating Connector Model Number: 089H33-000100-G2-R	Section 7.1
	17	Backlight Connector Manufacture: JST or compatible Connector Model Number: SHLP-06V-S-B or compatible Pin #4 color: Blue Pin #5 color: White	Backlight Connector Manufacture: STM or compatible Connector Model Number: P24021P6 or compatible Pin #4 color: White Pin #5 color: Blue	Section 7.2
	21	Carton Package Max. capacity: No definition Max. weight: No definition	Carton Package Max. capacity: 60 pcs TFT-LCD module per carton Max. weight: 12.65 Kg per carton	Section 10.2

## 1. Operating Precautions

- 1) Display area (Polarizer) of TFT-LCD Module is easily to be damaged, please be cautious and not to scratch it.
- 2) Be sure to power off your machine before connecting or disconnecting your signal cable to TFT-LCD Module.
- 3) Wipe off water drop on display area immediately. Long contact with water may cause discoloration or spots.
- 4) When the panel surface is soiled, wipe it with absorbent cotton or soft cloth.
- 5) Display area (Glass) of TFT-LCD Module may be broken or cracked if bump Module against hard object.
- 6) To avoid ESD (Electro Static Discharge) damage, be sure to ground yourself before handling TFT-LCD Module.
- 7) Do not open nor modify the TFT-LCD module assembly.
- 8) Do not press the reflector sheet at the back of the module to any direction.
- 9) In case if TFT-LCD module has to be put back into the packing container slot after it was taken out from the container, do not press the center of the LED Reflector edge. Instead, press at the far ends of the LED Reflector edge softly. Otherwise the TFT-LCD Module may be damaged.
- 10) When inserting or removing of your signal cable to TFT-LCD Module, be sure not to apply abnormal force (rotate, tilt...etc.) to the Connector of the TFT-LCD Module.
- 11) TFT-LCD Module is not allowed to be twisted & bent even force is added on module in a very short time. Please design your display product well to avoid external force applying to module by end-user directly.
- 12) Small amount of materials without flammability grade are used in the TFT-LCD module. The TFT-LCD module should be supplied by power complied with requirements of Limited Power Source (IEC60950 or UL1950), or be applied exemption.
- 13) Severe temperature condition may result in different luminance, response time.
- 14) Continuous operating TFT-LCD Module under high temperature environment may accelerate LED light bar exhaustion and reduce luminance dramatically.
- 15) The data on this specification sheet is applicable when TFT-LCD module is placed in landscape position.
- 16) Continuous displaying fixed pattern may induce image sticking. It's recommended to use screen saver or moving content periodically if fixed pattern is displayed on the screen.

## 2. General Description

G057QN01 V0 is designed for industrial display applications with QVGA (320 x RGB x 240) resolution and 262k colors (RGB 6-bits). It is composed of a TFT-LCD panel, driver ICs, control and power supply circuits board and backlight unit. G057QN01 V0 offers CMOS interface for display signal input. LED driving board for backlight unit is not included.

### 2.1 Display Characteristics

The following items are G057QN01 V0 characteristics summary at 25 °C (Room Temperature).

Items	Unit	Specifications
Screen Diagonal	inch	5.7
Active Area	mm	115.2(H) x 86.4(V)
Pixels H x V		320 x 3(RGB) x 240
Pixel Pitch	mm	0.36 x 0.36
Pixel Arrangement		R.G.B. Vertical Stripe
Display Mode		TN, Normally White
Nominal Input Voltage VDD	Volt	3.3 typ.
Typical Power Consumption	Watt	1.57W (LCD:0.37W/LED BLU: 1.2W) All black pattern
Weight	Grams	155g (typ.), 170g (max.)
Physical Size	mm	144.0(H)x 104.6(V) x 12.3(D) (typ.)
Electrical Interface		CMOS 6-bit Parallel RGB
Surface Treatment		Anti-Glare, Hardness 3H
Support Color		262K colors
The most suitable view angle		12 o'clock
Temperature Range		
Operating	°C	-30 to +85
Storage (Non-Operating)	°C	-30 to +85
RoHS Compliance		RoHS Compliance

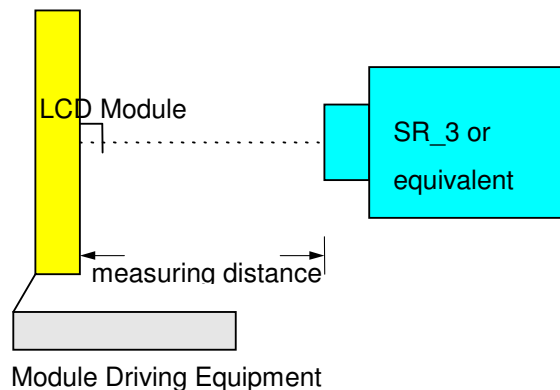
## 2.2 Optical Characteristics

The optical characteristics are measured under stable conditions at 25°C (Room Temperature).

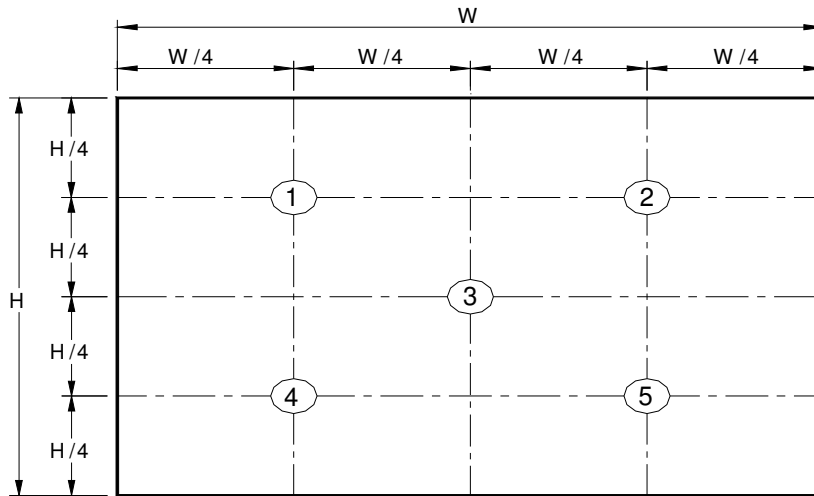
Item	Unit	Conditions	Min.	Typ.	Max.	Remark
White Luminance	cd/m <sup>2</sup>	I <sub>F</sub> = 15mA / 1 LED line (center point)	300	400	-	Note 1
Uniformity	%	5 Points		-	1.3	Note 1, 2, 3
Contrast Ratio			500	800	-	Note 4
Response Time	msec	Rising	-	15	20	Note 5
	msec	Falling	-	10	15	
	msec	Rising + Falling	-	25	35	
Viewing Angle	degree degree	Horizontal (Right) CR = 10 (Left)	70 70	80 80	- -	Note 6
	degree degree	Vertical (Upper) CR = 10 (Lower)	60 60	70 70	- -	
Color / Chromaticity Coordinates (CIE 1931)		White x	0.263	0.313	0.363	
		White y	0.279	0.329	0.379	
		Red x	0.510	0.560	0.610	
		Red y	0.280	0.330	0.380	
		Green x	0.275	0.325	0.375	
		Green y	0.535	0.585	0.635	
		Blue x	0.100	0.150	0.200	
	Blue y	0.055	0.105	0.155		
Color Gamut	%		-	50	-	

### Note 1: Measurement method

- Equipment      Pattern Generator, Power Supply, Digital Voltmeter, Luminance meter (SR\_3 or equivalent)
- Aperture        1° with 50cm viewing distance
- Test Point      Center
- Environment    < 1 lux



Note 2: Definition of 5 points position (Display active area: 115.2mm(W) x 86.4mm(H))



Note 3:

The luminance uniformity of 5 points is defined by dividing the maximum luminance value by the minimum luminance value at full white condition.

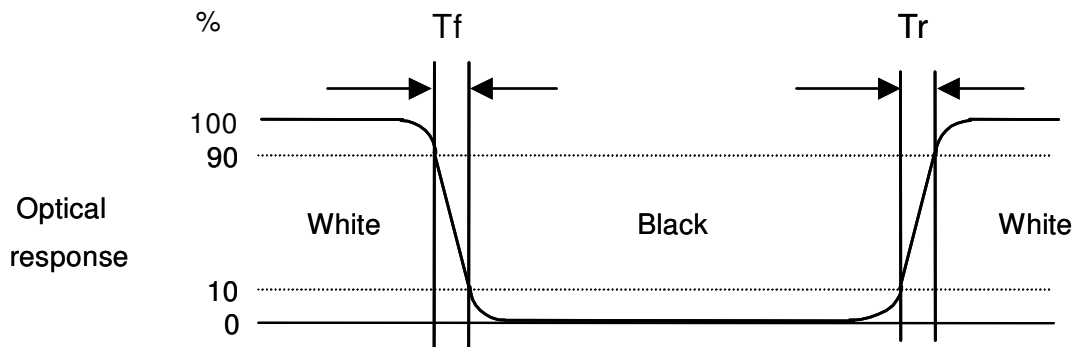
$$\delta_{w5} = \frac{\text{Maximum Brightness of five points}}{\text{Minimum Brightness of five points}}$$

Note 4: Definition of contrast ratio (CR):

$$\text{Contrast ratio (CR)} = \frac{\text{Brightness @ "White" state}}{\text{Brightness @ "Black" state}}$$

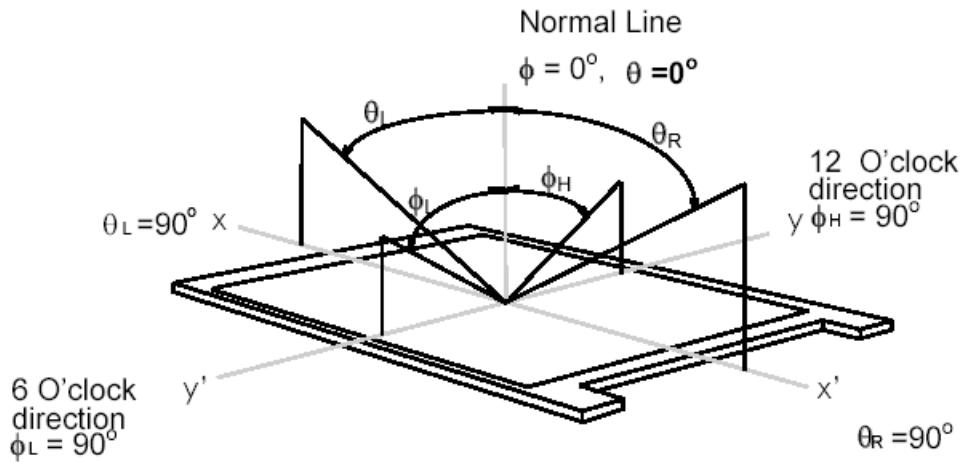
Note 5: Definition of response time:

The output signals of photo detector are measured when the input signals are changed from "White" to "Black" (falling time) and from "Black" to "White" (rising time), respectively. The response time interval definition is between 10% and 90% of amplitude. Please refer to the figure as below.



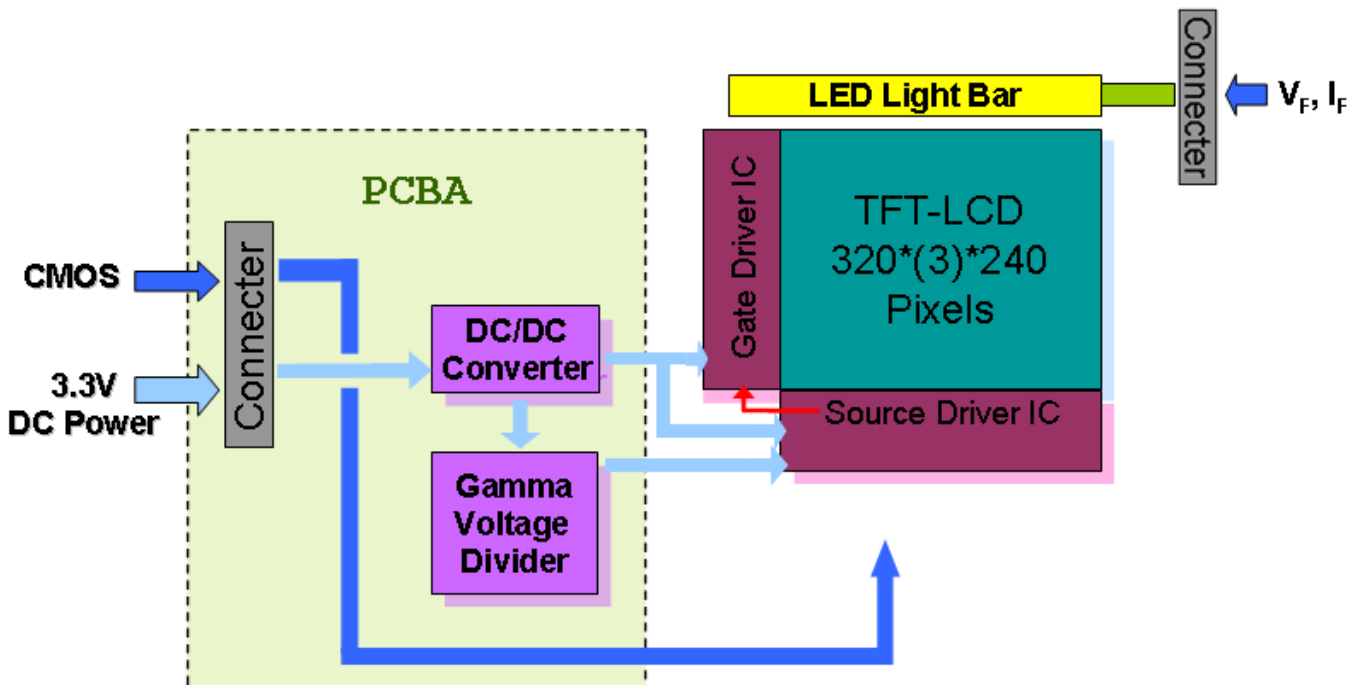
Note 6: Definition of viewing angle

Viewing angle is the measurement of contrast ratio  $\geq 10$ , at the screen center, over  $180^\circ$  horizontal and  $180^\circ$  vertical range. The  $180^\circ$  horizontal ( $\theta_L, \theta_R$ ) and  $180^\circ$  vertical ( $\phi_H, \phi_L$ ) range are illustrated as following figure.



### 3. Functional Block Diagram

The following diagram shows the functional block of the G057QN01 V0 color TFT/LCD module.





## 4. Absolute Maximum Ratings

### 4.1 Absolute Ratings

Item	Symbol	Min	Max	Unit	Remark
Logic/LCD Drive Voltage	VDD	-0.3	+3.6	Volt	
LED Forward Current	I <sub>F</sub>	0	20	mA	
LED Reverse Voltage	V <sub>R</sub>	-	5	Volt	
LED Reverse Current	I <sub>R</sub>	-	100	μA	For each channel LED

### 4.2 Absolute Ratings of Environment

Item	Symbol	Min	Max	Unit	Remark
Operating Temperature	TOP	-30	+85	°C	Note 1, 2
Operation Humidity	HOP	5	95	%RH	Note 1, 2
Storage Temperature	TST	-30	+85	°C	Note 1
Storage Humidity	HST	5	95	%RH	Note 1

Note 1: Maximum Wet-Bulb should be 39°C and no condensation.

Note 2: Only operation is guaranteed. Optical performance should be evaluated at 25°C only.

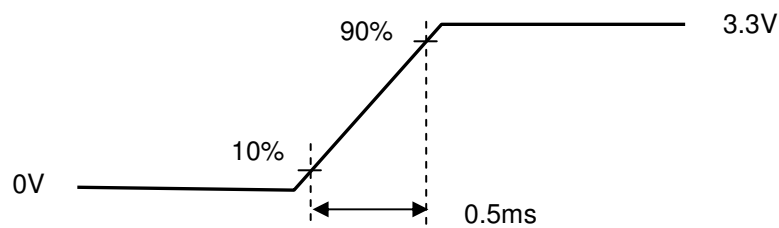
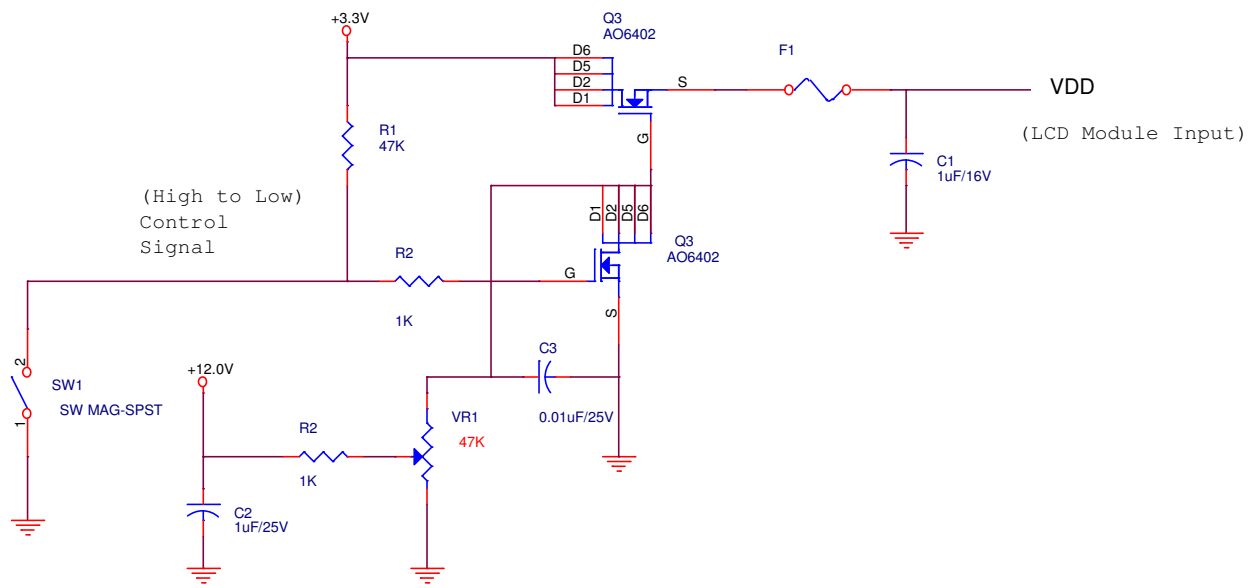
## 5. Electrical Characteristics

### 5.1 TFT-LCD Driving

#### 5.1.1 Power Specification

Symbol	Parameter	Min	Typ	Max	Units	Remark
VDD	Logic/LCD Drive Voltage	3.0	3.3	3.6	Volt	
IDD	VDD Current	-	115	130	mA	All Black Pattern (VDD=3.3V, at 60Hz)
Irush	LCD Inrush Current	-	-	1.5	A	Note 1
PDD	VDD Power	-	0.37	0.43	Watt	All Black Pattern (VDD=3.3V, at 60Hz)
VDDrp	Allowable Logic/LCD Drive Ripple Voltage	-	-	100	mVp-p	All Black Pattern (VDD=3.3V, at 60Hz)

Note 1: Measurement condition:



VDD rising time

### 5.1.2 Signal Electrical Characteristics

Input signals shall be low or Hi-Z state when VDD is off.

Parameter		Symbol	Min.	Typ.	Max.	Unit	Remarks
Logic Input Voltage for Display Signals	High	VIH	0.7VDD	-	VDD	Volt	
	Low	VIL	0	-	0.3VDD	Volt	
Input Voltage for RL/UD	High	VIH	0.7VDD	-	VDD	Volt	
	Low	VIL	0	-	0.3VDD	Volt	

## 5.2 Backlight Unit Driving

### 5.2.1 Parameter guideline for LED

Following characteristics are measured under stable condition using a LED driving board at 25°C (Room Temperature).

Symbol	Parameter	Min	Typ	Max	Unit	Remark
I <sub>F</sub>	LED Forward Current	-	15	20	mA	Ta = 25°C
V <sub>F</sub>	LED Forward Voltage	-	28.0	-	Volt	I <sub>F</sub> = 15mA, Ta = -30°C
		-	26.8	32	Volt	I <sub>F</sub> = 15mA, Ta = 25°C
		-	26.1	-	Volt	I <sub>F</sub> = 15mA, Ta = 85°C
P <sub>LED</sub>	LED Power	-	1.2	-	Watt	
Operating Life		25000	50000		Hrs	I <sub>F</sub> = 15mA, Ta = 25°C

Note 1: Ta means ambient temperature of TFT-LCD module.

Note 2: I<sub>F</sub>, V<sub>F</sub> are defined for one channel LED. There are total three LED channels (AN1-CA1, AN2-CA2, AN3-CA3) in back light unit. See Section 6.6 for LED Backlight Unit Interface Signal Description.

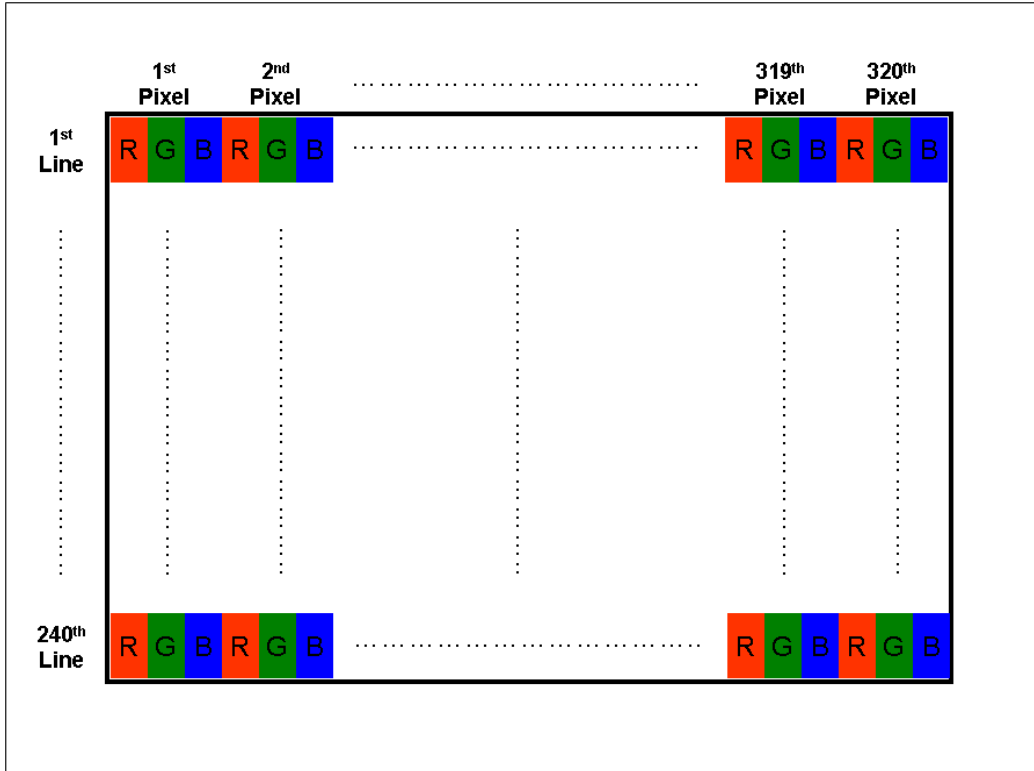
Note 3: If G057QN01 V0 module is driven by high current or at high ambient temperature & humidity condition. The operating life will be reduced.

Note 4: Operating life means brightness goes down to 50% initial brightness. Typical operating life time is estimated data.

## 6. Signal Characteristic

### 6.1 Pixel Format Image

Following figure shows the relationship between input signal and LCD pixel format.



### 6.2 Scanning Direction

The following figures show the image seen from the front view. The arrow indicates the direction of scan.



R/L=Low or NC; U/D=High or NC



R/L=High; U/D=High or NC



R/L=Low or NC; U/D=Low



R/L=High; U/D=Low

Note 1: TFT-LCD interface signal description is shown in section 6.4.

### 6.3 The Input Data Format

This product displays 262,144 colors in terms of the 64 grey levels on RGB respectively. The following table demonstrates the display of input data.

Display colors		Data signal (0 : Low level, 1: High level)																							
		R7	R6	R5	R4	R3	R2	R1	R0	G7	G6	G5	G4	G3	G2	G1	G0	B7	B6	B5	B4	B3	B2	B1	B0
Basic colors	Black	0	0	0	0	0	0	0	0	0	0	0	0	0	0	0	0	0	0	0	0	0	0	0	0
	Blue	0	0	0	0	0	0	0	0	0	0	0	0	0	0	0	0	1	1	1	1	1	1	1	1
	Red	1	1	1	1	1	1	1	1	0	0	0	0	0	0	0	0	0	0	0	0	0	0	0	0
	Magenta	1	1	1	1	1	1	1	1	0	0	0	0	0	0	0	0	1	1	1	1	1	1	1	1
	Green	0	0	0	0	0	0	0	0	1	1	1	1	1	1	1	1	0	0	0	0	0	0	0	0
	Cyan	0	0	0	0	0	0	0	0	1	1	1	1	1	1	1	1	1	1	1	1	1	1	1	1
	Yellow	1	1	1	1	1	1	1	1	1	1	1	1	1	1	1	1	0	0	0	0	0	0	0	0
	White	1	1	1	1	1	1	1	1	1	1	1	1	1	1	1	1	1	1	1	1	1	1	1	1
Red grayscale	Black	0	0	0	0	0	0	0	0	0	0	0	0	0	0	0	0	0	0	0	0	0	0	0	0
	Dark	0	0	0	0	0	0	0	1	0	0	0	0	0	0	0	0	0	0	0	0	0	0	0	0
	↑																								
	↓																								
	bright	1	1	1	1	1	1	0	1	0	0	0	0	0	0	0	0	0	0	0	0	0	0	0	0
Red	1	1	1	1	1	1	1	0	0	0	0	0	0	0	0	0	0	0	0	0	0	0	0	0	
Green grayscale	Black	0	0	0	0	0	0	0	0	0	0	0	0	0	0	0	0	0	0	0	0	0	0	0	0
	Dark	0	0	0	0	0	0	0	0	0	0	0	0	0	0	0	1	0	0	0	0	0	0	0	0
	↑																								
	↓																								
	bright	0	0	0	0	0	0	0	0	1	1	1	1	1	1	0	1	0	0	0	0	0	0	0	0
Green	0	0	0	0	0	0	0	0	1	1	1	1	1	1	1	1	0	0	0	0	0	0	0	0	
Blue grayscale	Black	0	0	0	0	0	0	0	0	0	0	0	0	0	0	0	0	0	0	0	0	0	0	0	0
	Dark	0	0	0	0	0	0	0	0	0	0	0	0	0	0	0	0	0	0	0	0	0	0	0	1
	↑																								
	↓																								
	bright	0	0	0	0	0	0	0	0	0	0	0	0	0	0	0	0	1	1	1	1	1	1	0	1
Blue	0	0	0	0	0	0	0	0	0	0	0	0	0	0	0	0	1	1	1	1	1	1	1	0	

## 6.4 TFT- LCD Interface Signal Description

PIN No.	Symbol	Pin Description
1	GND	Ground
2	DOTCLK	Dot clock
3	NC	NC
4	NC	NC
5	GND	Ground
6	R0	Red data (LSB)
7	R1	Red data
8	R2	Red data
9	R3	Red data
10	R4	Red data
11	R5	Red data (MSB)
12	GND	Ground
13	G0	Green data (LSB)
14	G1	Green data
15	G2	Green data
16	G3	Green data
17	G4	Green data
18	G5	Green data (MSB)
19	GND	Ground
20	B0	Blue data (LSB)
21	B1	Blue data
22	B2	Blue data
23	B3	Blue data
24	B4	Blue data
25	B5	Blue data (MSB)
26	GND	Ground
27	DE	Data Enable Signal
28	VDD	Power supply (3.3V Typ. ONLY)
29	VDD	Power supply (3.3V Typ. ONLY)
30	R/L	Horizontal reverse scan (Low or NC → Normal; High → Right & Left Reverse Scan)
31	U/D	Vertical reverse scan (High or NC → Normal; Low → Up & Down Reverse Scan)
32	NC	NC
33	GND	Ground

Note 1: "Low" stands for 0V. "High" stands for 3.3V. "NC" stands for "No Connection".

## 6.5 TFT- LCD Interface Timing

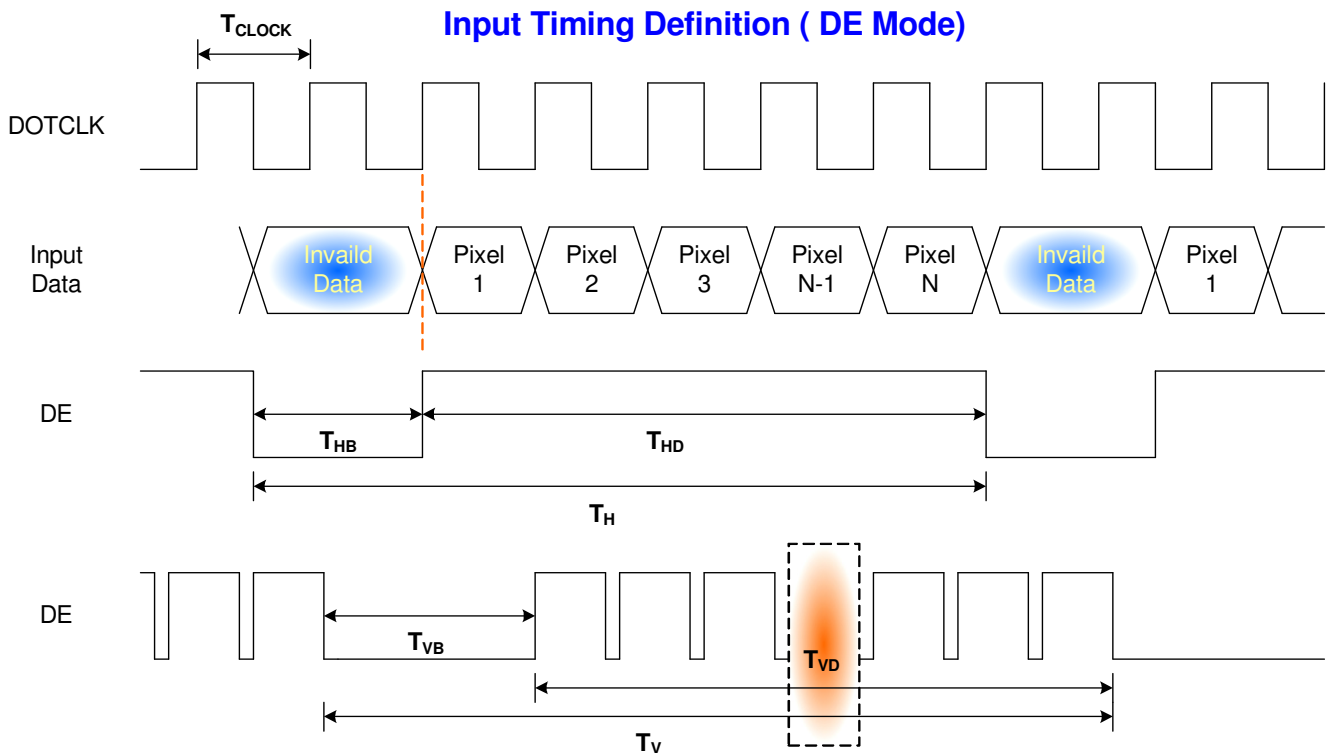
### 6.5.1 Timing Characteristics

DE mode only

Signal		Symbol	Min.	Typ.	Max.	Unit	Remark
Clock frequency (DOTCLK)		$1/T_{\text{CLOCK}}$	6.2	6.4	12.1	MHz	Note1
Horizontal Section	Period	$T_{\text{H}}$	406	408	560	$T_{\text{CLOCK}}$	Note1
	Active	$T_{\text{HD}}$	320				
	Blanking	$T_{\text{HB}}$	86	88	240		
Vertical Section	Period	$T_{\text{V}}$	254	263	360	$T_{\text{LINE}}$	Note1
	Active	$T_{\text{VD}}$	240				
	Blanking	$T_{\text{VB}}$	14	23	120		

Note 1: Recommended frame rate is 60 Hz.

### 6.5.2 Input Timing Diagram

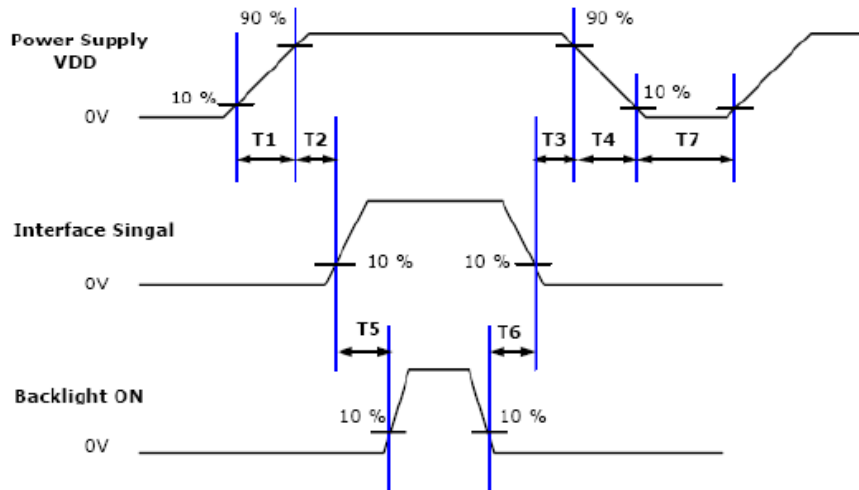


## 6.6 LED Backlight Unit Interface Signal Description

Pin #	Symbol	Pin Description
1	AN1	Channel 1 LED anode
2	AN2	Channel 2 LED anode
3	AN3	Channel 3 LED anode
4	CA1	Channel 1 LED cathode
5	CA2	Channel 2 LED cathode
6	CA3	Channel 3 LED cathode

## 6.7 Power ON/OFF Sequence

VDD power, LCD interface signals and backlight on/off sequence are shown in the following chart. Signals from any system shall be Hi-Z state or low level when VDD is off.



**Power ON/OFF sequence timing**

Parameter	Value			Units
	Min.	Typ.	Max.	
T1	0.5	-	10	ms
T2	0	-	50	ms
T3	0	-	50	ms
T4	0	-	10	ms
T5	200	-	-	ms
T6	200	-	-	ms
T7	500	-	-	ms

ON/OFF sequence should be applied to avoid abnormal function in the display. Please make sure to turn off the power when you plug the cable into the input connector or pull the cable out of the connector.



## 7. Connector & Pin Assignment

### 7.1 TFT- LCD Signal (CN1): LCD Connector

<b>Manufacturer</b>	Starconn or compatible
<b>Mating Connector Model Number</b>	089H33-000100-G2-R or compatible

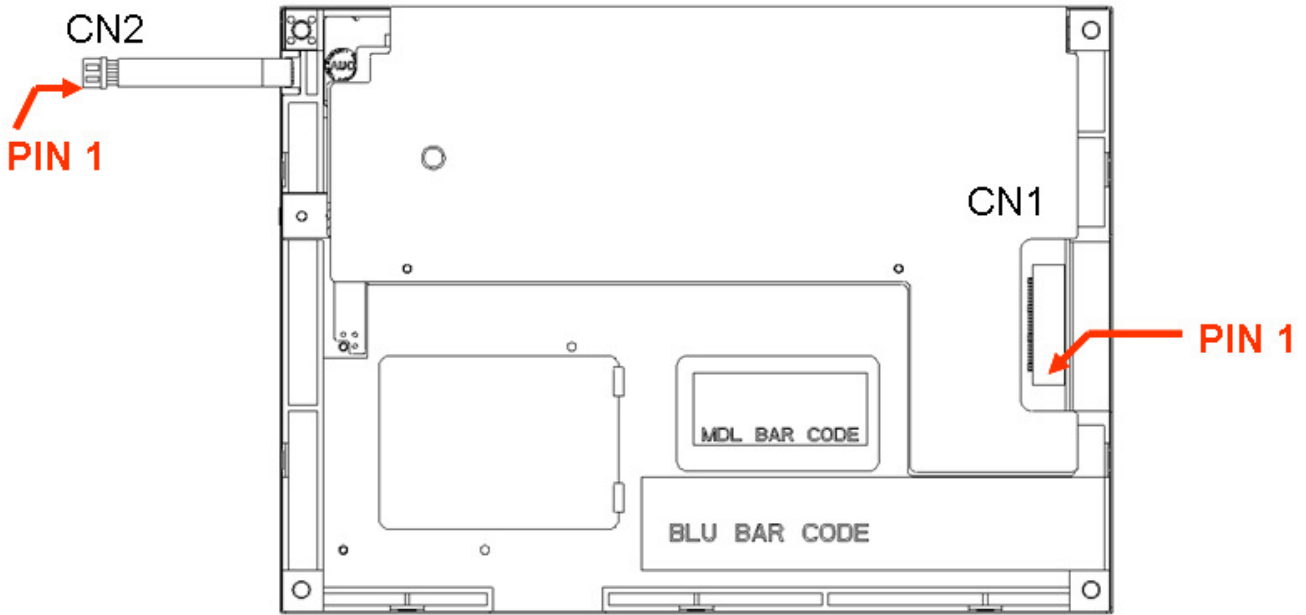
Pin#	Symbol	Pin#	Symbol	Pin#	Symbol
1	GND	12	GND	23	B3
2	DOTCLK	13	G0	24	B4
3	NC	14	G1	25	B5
4	NC	15	G2	26	GND
5	GND	16	G3	27	DE
6	R0	17	G4	28	VDD
7	R1	18	G5	29	VDD
8	R2	19	GND	30	R/L
9	R3	20	B0	31	U/D
10	R4	21	B1	32	NC
11	R5	22	B2	33	GND

### 7.2 LED Backlight Unit (CN2): Backlight Connector

<b>Manufacturer</b>	STM or compatible
<b>Connector Model Number</b>	P24021P6 or compatible
<b>Mating Connector Model Number</b>	SM06B-SHLS-TF or compatible

Pin #	Symbol	Cable color	Pin #	Symbol	Cable color
1	AN1	Red	4	CA1	White
2	AN2	Red	5	CA2	Blue
3	AN3	Red	6	CA3	Black

### 7.3 PIN 1 definition of CN1 and CN2



(Rear side of TFT-LCD)

## 8. Reliability Test Criteria

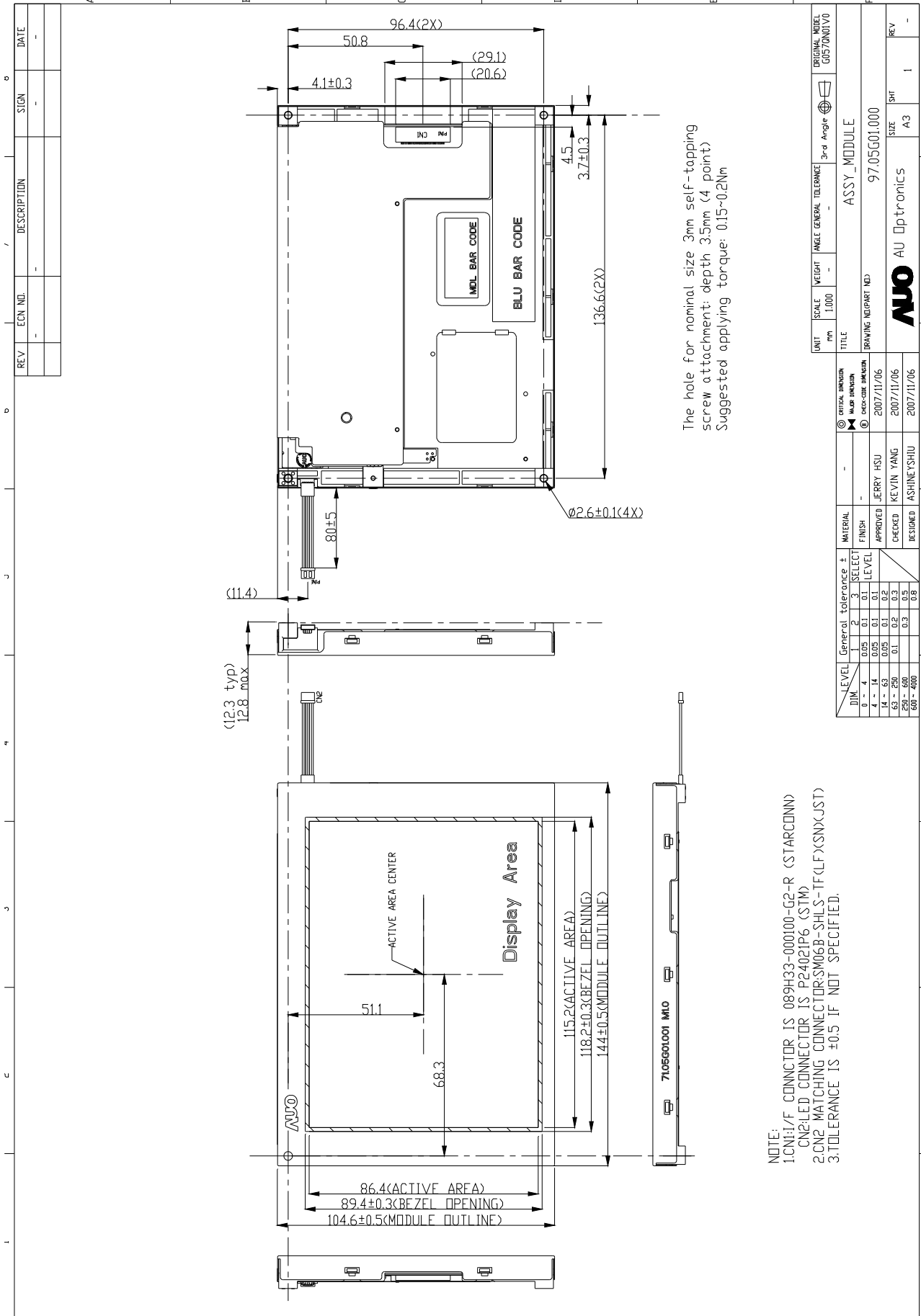
Items	Required Condition	Remark
Temperature Humidity Bias	40°C/90%,300Hr	Note 2
High Temperature Operation	85°C,300Hr	Note 2
Low Temperature Operation	-30°C,300Hr	Note 2
High Temperature Storage	85°C,300 hours	Note 2
Low Temperature Storage	-30°C,300 hours	Note 2
Thermal Shock Test	-20°C/30 min ,60°C/30 min ,100cycles	Note 2
Hot Start Test	85°C/1 Hr (min.), power on/off per 5 minutes, repeat 5 times	Note 2
Cold Start Test	-30°C/1 Hr (min.), power on/off per 5 minutes, repeat 5 times	Note 2
Shock Test (Non-Operating)	50G,20ms,Half-sine wave, (±X, ±Y, ±Z)	Note 2
Vibration Test (Non-Operating)	1.5G, 10~200~10Hz, Sine wave, 30mins/axis, 3 direction (X, Y, Z)	Note 2
ESD	Contact Discharge: ±8KV, 150pF(330Ω) 1sec, 8 points, 25 times/point Air Discharge: ±15KV, 150pF(330Ω) 1sec, 8 points, 25 times/point	Note 1,2
Attitude Test	Operating: 14,000 ft, Ramp: 2000 ft/min, 8hrs Non-operating: 40,000 ft, Ramp: 2000 ft/min, 24hrs	Note 2

Note1: According to EN61000-4-2 ESD class B criteria, some performance degradation is allowed. TFT-LCD module is self-recoverable, no data lost and no hardware failures after test.

Note2:

- Water condensation is not allowed for each test items.
- Each test is done by new TFT-LCD module. Don't use the same TFT-LCD module repeatedly for reliability test.
- The reliability test is performed only to examine the TFT-LCD module capability.
- To inspect TFT-LCD module after reliability test, please store it at room temperature and room humidity for 24 hours at least in advance.

## 9. Mechanical Characteristics



REV	ECN NO.	DESCRIPTION	SIGN	DATE

UNIT	SCALE	WEIGHT	ANGLE	GENERAL TOLERANCE	3rd Angle	ORIGINAL MODEL
mm	1:000	-	-	-	☑	G057QN01V0
TITLE						ASSY_MODULE
DRAWING NO. / PART NO.						97.05G01.000
DESIGNED						2007/11/06
CHECKED						2007/11/06
APPROVED						2007/11/06
MATERIAL						FINISH
SELECT						LEVEL
General Tolerance ±						LEVEL
DIM.						LEVEL
0 - 4						0.05
4 - 14						0.1
14 - 63						0.15
63 - 250						0.2
250 - 500						0.3
500 - 1000						0.5
CRITICAL DIMENSION						
MAP DIMENSION						
CHECK-CODE DIMENSION						
DESIGNED						2007/11/06
CHECKED						2007/11/06
APPROVED						2007/11/06
MATERIAL						FINISH
SELECT						LEVEL
General Tolerance ±						LEVEL
DIM.						LEVEL
0 - 4						0.05
4 - 14						0.1
14 - 63						0.15
63 - 250						0.2
250 - 500						0.3
500 - 1000						0.5
CRITICAL DIMENSION						
MAP DIMENSION						
CHECK-CODE DIMENSION						
DESIGNED						2007/11/06
CHECKED						2007/11/06
APPROVED						2007/11/06
MATERIAL						FINISH
SELECT						LEVEL
General Tolerance ±						LEVEL
DIM.						LEVEL
0 - 4						0.05
4 - 14						0.1
14 - 63						0.15
63 - 250						0.2
250 - 500						0.3
500 - 1000						0.5
CRITICAL DIMENSION						
MAP DIMENSION						
CHECK-CODE DIMENSION						
DESIGNED						2007/11/06
CHECKED						2007/11/06
APPROVED						2007/11/06
MATERIAL						FINISH
SELECT						LEVEL
General Tolerance ±						LEVEL
DIM.						LEVEL
0 - 4						0.05
4 - 14						0.1
14 - 63						0.15
63 - 250						0.2
250 - 500						0.3
500 - 1000						0.5
CRITICAL DIMENSION						
MAP DIMENSION						
CHECK-CODE DIMENSION						
DESIGNED						2007/11/06
CHECKED						2007/11/06
APPROVED						2007/11/06
MATERIAL						FINISH
SELECT						LEVEL
General Tolerance ±						LEVEL
DIM.						LEVEL
0 - 4						0.05
4 - 14						0.1
14 - 63						0.15
63 - 250						0.2
250 - 500						0.3
500 - 1000						0.5
CRITICAL DIMENSION						
MAP DIMENSION						
CHECK-CODE DIMENSION						
DESIGNED						2007/11/06
CHECKED						2007/11/06
APPROVED						2007/11/06
MATERIAL						FINISH
SELECT						LEVEL
General Tolerance ±						LEVEL
DIM.						LEVEL
0 - 4						0.05
4 - 14						0.1
14 - 63						0.15
63 - 250						0.2
250 - 500						0.3
500 - 1000						0.5
CRITICAL DIMENSION						
MAP DIMENSION						
CHECK-CODE DIMENSION						
DESIGNED						2007/11/06
CHECKED						2007/11/06
APPROVED						2007/11/06
MATERIAL						FINISH
SELECT						LEVEL
General Tolerance ±						LEVEL
DIM.						LEVEL
0 - 4						0.05
4 - 14						0.1
14 - 63						0.15
63 - 250						0.2
250 - 500						0.3
500 - 1000						0.5
CRITICAL DIMENSION						
MAP DIMENSION						
CHECK-CODE DIMENSION						
DESIGNED						2007/11/06
CHECKED						2007/11/06
APPROVED						2007/11/06
MATERIAL						FINISH
SELECT						LEVEL
General Tolerance ±						LEVEL
DIM.						LEVEL
0 - 4						0.05
4 - 14						0.1
14 - 63						0.15
63 - 250						0.2
250 - 500						0.3
500 - 1000						0.5
CRITICAL DIMENSION						
MAP DIMENSION						
CHECK-CODE DIMENSION						
DESIGNED						2007/11/06
CHECKED						2007/11/06
APPROVED						2007/11/06
MATERIAL						FINISH
SELECT						LEVEL
General Tolerance ±						LEVEL
DIM.						LEVEL
0 - 4						0.05
4 - 14						0.1
14 - 63						0.15
63 - 250						0.2
250 - 500						0.3
500 - 1000						0.5
CRITICAL DIMENSION						
MAP DIMENSION						
CHECK-CODE DIMENSION						
DESIGNED						2007/11/06
CHECKED						2007/11/06
APPROVED						2007/11/06
MATERIAL						FINISH
SELECT						LEVEL
General Tolerance ±						LEVEL
DIM.						LEVEL
0 - 4						0.05
4 - 14						0.1
14 - 63						0.15
63 - 250						0.2
250 - 500						0.3
500 - 1000						0.5
CRITICAL DIMENSION						
MAP DIMENSION						
CHECK-CODE DIMENSION						
DESIGNED						2007/11/06
CHECKED						2007/11/06
APPROVED						2007/11/06
MATERIAL						FINISH
SELECT						LEVEL
General Tolerance ±						LEVEL
DIM.						LEVEL
0 - 4						0.05
4 - 14						0.1
14 - 63						0.15
63 - 250						0.2
250 - 500						0.3
500 - 1000						0.5
CRITICAL DIMENSION						
MAP DIMENSION						
CHECK-CODE DIMENSION						
DESIGNED						2007/11/06
CHECKED						2007/11/06
APPROVED						2007/11/06
MATERIAL						FINISH
SELECT						LEVEL
General Tolerance ±						LEVEL
DIM.						LEVEL
0 - 4						0.05
4 - 14						0.1
14 - 63						0.15
63 - 250						0.2
250 - 500						0.3
500 - 1000						0.5
CRITICAL DIMENSION						
MAP DIMENSION						
CHECK-CODE DIMENSION						
DESIGNED						2007/11/06
CHECKED						2007/11/06
APPROVED						2007/11/06
MATERIAL						FINISH
SELECT						LEVEL
General Tolerance ±						LEVEL
DIM.						LEVEL
0 - 4						0.05
4 - 14						0.1
14 - 63						0.15
63 - 250						0.2
250 - 500						0.3
500 - 1000						0.5
CRITICAL DIMENSION						
MAP DIMENSION						
CHECK-CODE DIMENSION						
DESIGNED						2007/11/06
CHECKED						2007/11/06
APPROVED						2007/11/06
MATERIAL						FINISH
SELECT						LEVEL
General Tolerance ±						LEVEL
DIM.						LEVEL
0 - 4						0.05
4 - 14						0.1
14 - 63						0.15
63 - 250						0.2
250 - 500						0.3
500 - 1000						0.5
CRITICAL DIMENSION						
MAP DIMENSION						
CHECK-CODE DIMENSION						
DESIGNED						2007/11/06
CHECKED						2007/11/06
APPROVED						2007/11/06
MATERIAL						FINISH
SELECT						LEVEL
General Tolerance ±						LEVEL
DIM.						LEVEL
0 - 4						0.05
4 - 14						0.1
14 - 63						0.15
63 - 250						0.2
250 - 500						0.3
500 - 1000						0.5
CRITICAL DIMENSION						
MAP DIMENSION						
CHECK-CODE DIMENSION						
DESIGNED						2007/11/06
CHECKED						2007/11/06
APPROVED						2007/11/06
MATERIAL						FINISH
SELECT						LEVEL
General Tolerance ±						LEVEL
DIM.						LEVEL
0 - 4						0.05
4 - 14						0.1
14 - 63						0.15
63 - 250						0.2
250 - 500						0.3
500 - 1000						0.5
CRITICAL DIMENSION						
MAP DIMENSION						
CHECK-CODE DIMENSION						
DESIGNED						2007/11/06
CHECKED						2007/11/06
APPROVED						2007/11/06
MATERIAL						FINISH
SELECT						LEVEL
General Tolerance ±						LEVEL
DIM.						LEVEL
0 - 4						0.05
4 - 14						0.1
14 - 63						0.15
63 - 250						0.2
250 - 500						0.3
500 - 1000						0.5
CRITICAL DIMENSION						
MAP DIMENSION						
CHECK-CODE DIMENSION						
DESIGNED						2007/11/06
CHECKED						2007/11/06
APPROVED						2007/11/06
MATERIAL						FINISH
SELECT						LEVEL
General Tolerance ±						LEVEL
DIM.						LEVEL
0 - 4						0.05
4 - 14						0.1
14 - 63						0.15
63 - 250						0.2
250 - 500						0.3
500 - 1000						0.5
CRITICAL DIMENSION						
MAP DIMENSION						
CHECK-CODE DIMENSION						
DESIGNED						2007/11/06
CHECKED						2007/11/06
APPROVED						2007/11/06
MATERIAL						FINISH
SELECT						LEVEL
General Tolerance ±						LEVEL
DIM.						LEVEL
0 - 4						0.05
4 - 14						0.1
14 - 63						0.15
63 - 250						0.2
250 - 500						0.3
500 - 1000						0.5
CRITICAL DIMENSION						
MAP DIMENSION						
CHECK-CODE DIMENSION						
DESIGNED						2007/11/06
CHECKED						2007/11/06
APPROVED						2007/11/06
MATERIAL						FINISH
SELECT						LEVEL
General Tolerance ±						LEVEL
DIM.						LEVEL
0 - 4						0.05
4 - 14						0.1
14 - 63						0.15
63 - 250						0.2
250 - 500						0.3
500 - 1000						0.5
CRITICAL DIMENSION						
MAP DIMENSION						
CHECK-CODE DIMENSION						
DESIGNED						2007/11/06
CHECKED						2007/11/06
APPROVED						2007/11/06
MATERIAL						FINISH
SELECT						LEVEL
General Tolerance ±						LEVEL
DIM.						LEVEL
0 - 4						0.05
4 - 14						0.1
14 - 63						0.15
63 - 250						0.2
250 - 500						0.3
500 - 1000						0.5
CRITICAL DIMENSION						
MAP DIMENSION						
CHECK-CODE DIMENSION						
DESIGNED						2007/11/06
CHECKED						2007/11/06
APPROVED						2007/11/06
MATERIAL						FINISH
SELECT						LEVEL
General Tolerance ±						LEVEL
DIM.						LEVEL
0 - 4						0.05
4 - 14						0.1
14 - 63						0.15
63 - 250						0.2
250 - 500						0.3
500 - 1000						0.5
CRITICAL DIMENSION						
MAP DIMENSION						
CHECK-CODE DIMENSION						
DESIGNED						2007/11/06
CHECKED						2007/11/06
APPROVED						2007/11/06
MATERIAL						FINISH
SELECT						LEVEL
General Tolerance ±						LEVEL
DIM.						LEVEL
0 - 4						0.05
4 - 14						0.1
14 - 63						0.15
63 - 250						0.2
250 - 500						0.3
500 - 1000						0.5
CRITICAL DIMENSION						
MAP DIMENSION						
CHECK-CODE DIMENSION						
DESIGNED						2007/11/06
CHECKED						2007/11/06
APPROVED						2007/11/06
M						

## 10. Label and Packaging

### 10.1 Shipping Label (on the rear side of TFT-LCD display)

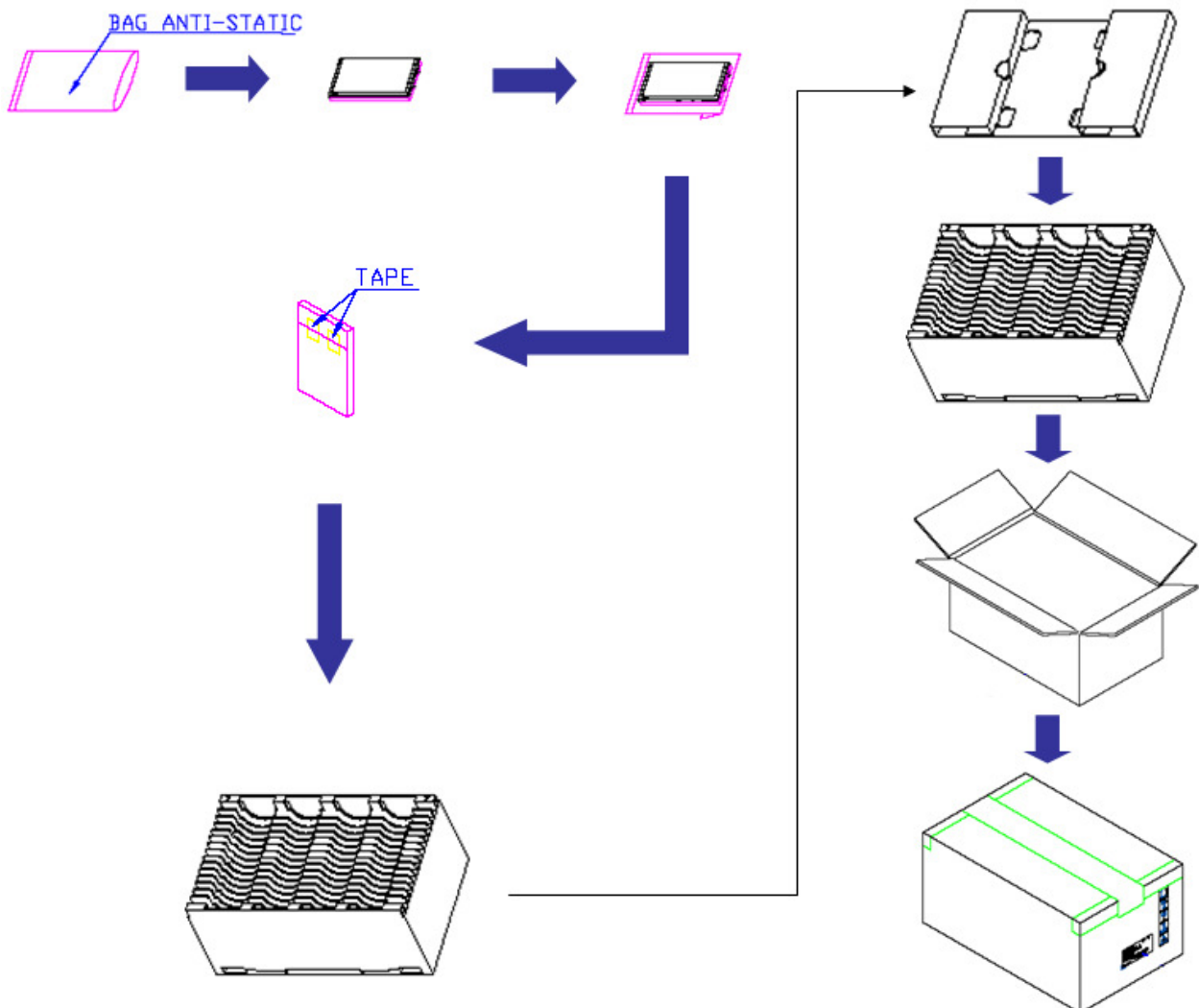


### 10.2 Carton Package

Max. capacity: 60 pieces TFT-LCD module per carton

Max. weight: 12.65 kg per carton

Outside dimension of carton: 520(L)mm\* 340(W)mm\* 250(H)mm



## **11 Safety**

### **11.1 Keen Edge Requirements**

There will be no keen edges or corners on the display assembly that could cause injury.

### **11.2 Materials**

#### **11.2.1 Toxicity**

There will be no carcinogenic materials used anywhere in the TFT-LCD module. If toxic materials are used, they will be reviewed and approved by the responsible AUO toxicologist.

#### **11.2.2 Flammability**

All components including electrical components that do not meet the flammability grade UL94-V1 in the TFT-LCD Module will complete the flammability rating exception approval process.

The printed circuit board will be made from material rated 94-V1 or better. The actual UL flammability rating will be printed on the printed circuit board.

### **11.3 Capacitors**

If any polarized capacitors are used in the TFT-LCD module, provisions will be made to keep them from being inserted backwards.

### **11.4 National Test Lab Requirement**

The TFT-LCD Module will satisfy all requirements for compliance to UL 60950 (U.S.A. Information Technology Equipment).