



**A49LF004**

**4 Mbit CMOS 3.3Volt-only Firmware Hub Flash Memory**

***Preliminary***

---

**Document Title**

**4 Mbit CMOS 3.3 Volt-only Firmware Hub Flash Memory**

**Revision History**

<b><u>Rev. No.</u></b>	<b><u>History</u></b>	<b><u>Issue Date</u></b>	<b><u>Remark</u></b>
0.0	Initial issue	November 21, 2003	Preliminary



### Preliminary

---

#### FEATURES

**• Single Power Supply Operation**

- Low voltage range: 3.0 V - 3.6 V for Read and Write Operations

**• Standard Intel Firmware Hub Interface**

- Read compatible to Intel® 82802 Firmware Hub devices

**• Memory Configuration**

- 512K x 8 (4 Mbit)

**• Block Architecture**

- 4Mbit: eight uniform 64KByte blocks
- Supports full chip erase for Address/Address Multiplexed (A/A Mux) mode

**• Automatic Erase and Program Operation**

- Embedded Byte Program and Block/Chip Erase algorithms
- Typical 10  $\mu$ s/byte programming time
- Typical 1s block erase time

**• Two Operational Modes**

- Firmware Hub Interface (FWH) Mode for in-system operation
- Address/Address Multiplexed (A/A Mux) Interface Mode for programming equipment

**• Firmware Hub (FWH) Mode**

- 33 MHz synchronous operation with PCI bus
- 5-signal communication interface for in-system read and write operations

- Standard SDP Command Set
- Data# Polling (I/O<sub>7</sub>) and Toggle Bit (I/O<sub>6</sub>) features
- Block Locking Register for all blocks
- 4 ID pins for multi-chip selection
- 5 GPI pins for General Purpose Input Register
- TBL# pin for hardware write protection to Boot Block
- WP# pin for hardware write protection to whole memory array except Boot Block

**• Address/Address Multiplexed (A/A Mux) Mode**

- 11-pin multiplexed address and 8-pin data I/O interface
- Supports fast programming on EPROM programmers
- Standard SDP Command Set
- Data# Polling (I/O<sub>7</sub>) and Toggle Bit (I/O<sub>6</sub>) features

**• Lower Power Consumption**

- Typical 12mA active read current
- Typical 24mA program/erase current

**• High Product Endurance**

- Guarantee 100,000 program/erase cycles for each block
- Minimum 20 years data retention

**• Compatible Pin-out and Packaging**

- 32-pin (8 mm x 14 mm) TSOP (TYPE I)
- 32-pin PLCC

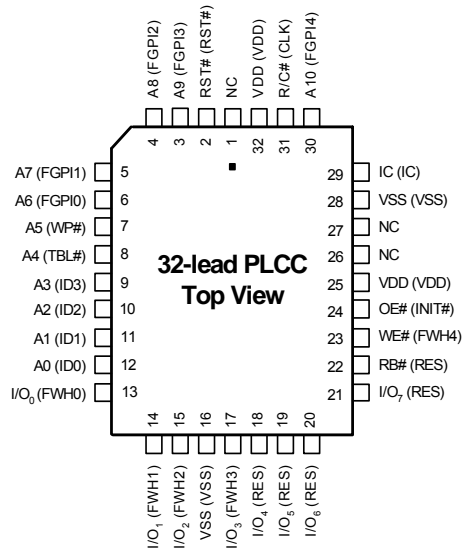
#### GENERAL DESCRIPTION

The A49LF004 flash memory device is designed to be read-compatible with the Intel 82802 Firmware Hub (FWH) device for PC-BIOS application. This device is designed to use a single low voltage, range from 3.0 Volt to 3.6 Volt power supply to perform in-system or off-system read and write operations. It provides protection for the storage and update of code and data in addition to adding system design flexibility through five general-purpose inputs. Two interface modes are supported by the A49LF004: Firmware Hub (FWH) Interface mode for In-System programming and Address/Address Multiplexed (A/A Mux) mode for fast factory programming of PC-BIOS applications.

The memory is divided into eight uniform 64Kbyte blocks that can be erased independently without affecting the data in other blocks. Blocks also can be protected individually to prevent accidental Program or Erase commands from modifying the memory. The Program and Erase operations are executed by issuing the Program/Erase commands into

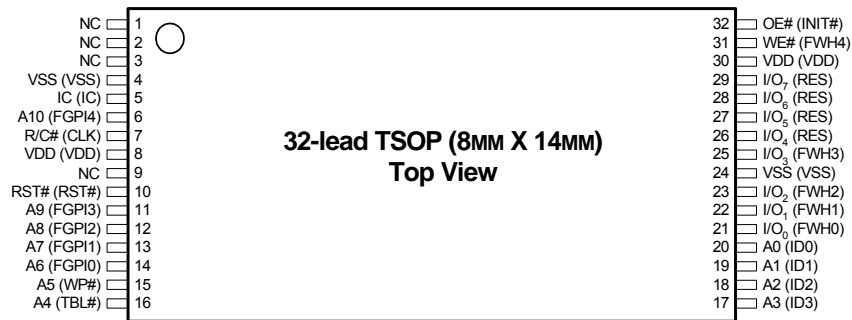
the command interface by which activating the internal control logic to automatically process the Program/Erase procedures. The device can be programmed on a byte-by-byte basis after performing the Erase operation. In addition to the Block Erase operation, the Chip Erase feature is provided in A/A Mux mode that allows the whole memory to be erased in one single Erase operation. The A49LF004 provides the status detection such as Data# Polling and Toggle Bit Functions in both FWH and A/A Mux modes. The process or completion of Program and Erase operations can be detected by reading the status bits.

The A49LF004 is offered in 32-lead TSOP and 32-lead PLCC packages. See Figures 1 and 2 for pin assignments and Table 1 for pin descriptions.

**PIN CONFIGURATIONS**


(\*) Designates FWH Mode

**FIGURE 1: Pin Assignments for 32-Lead PLCC**



(\*) Designates FWH Mode

**FIGURE 2: Pin Assignments for 32-Lead TSOP**

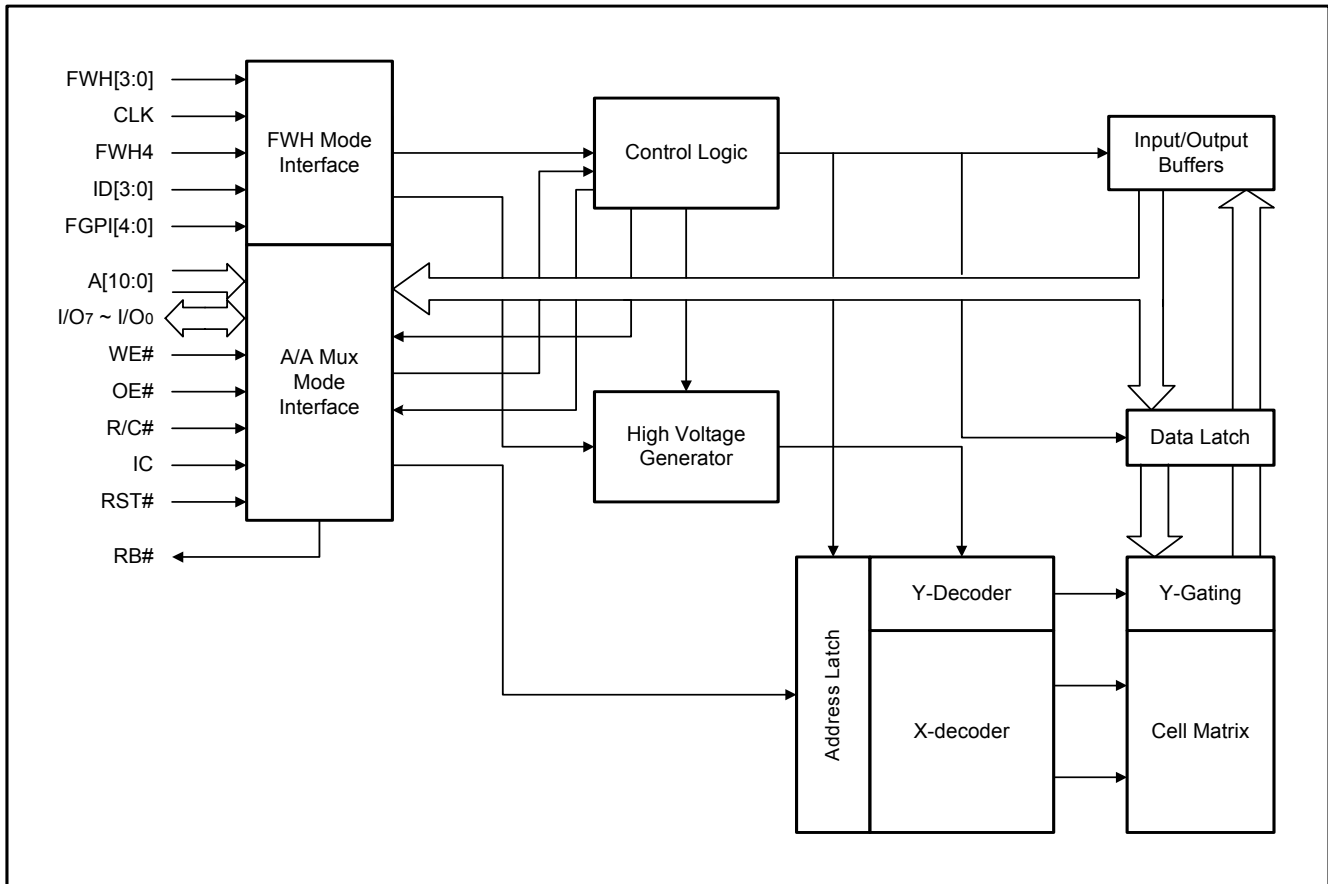
**BLOCK DIAGRAM**


Table 1: Pin Description

Symbol	Pin Name	Type	Interface		Descriptions
			A/A Mux	FWH	
A <sub>10</sub> -A <sub>0</sub>	Address	IN	X		Inputs for addresses during Read and Write operations in A/A Mux mode. Row and column addresses are latched by R/C# pin.
I/O <sub>7</sub> -I/O <sub>0</sub>	Data	I/O	X		To output data during Read cycle and receive input data during Write cycle in A/A Mux mode. The outputs are in tri-state when OE# is high.
OE#	Output Enable	IN	X		To control the data output buffers.
WE#	Write Enable	IN	X		To control the Write operations.
IC	Interface Configuration Pin	IN	X	X	To determine which interface is operational. When held high, A/A Mux mode is enabled and when held low, FWH mode is enabled. This pin must be setup at power-up or before return from reset and not change during device operation. This pin is internally pulled down with a resistor between 20-100 K $\Omega$ .
INIT#	Initialize	IN		X	This is the second reset pin for in-system use. INIT# and RST# pins are internally combined and initialize a device reset when driven low.
ID[3:0]	Identification Inputs	IN		X	These four pins are part of the mechanism that allows multiple FWH devices to be attached to the same bus. To identify the component, the correct strapping of these pins must be set. The boot device must have ID[3:0]=0000 and it is recommended that all subsequent devices should use sequential up-count strapping. These pins are internally pulled down with a resistor between 20-100 K $\Omega$ .
FGPI[4:0]	General Purpose Inputs	IN		X	These individual inputs can be used for additional board flexibility. The state of these pins can be read immediately at boot, through FWH internal registers. These inputs should be at their desired state before the start of the PCI clock cycle during which the read is attempted, and should remain in place until the end of the Read cycle. Unused FGPI pins must not be floated.
TBL#	Top Block Lock	IN		X	To prevent any write operations to the Boot Block when driven low, regardless of the state of the block lock registers. When TBL# is high it disables hardware write protection for the top Boot Block. This pin cannot be left unconnected.
FWH[3:0]	FWH I/Os	I/O		X	I/O Communications in FWH mode.
CLK	Clock	IN		X	To provide a clock input to the device. This pin is the same as that for the PCI clock and adheres to the PCI specifications.
FWH4	FWH Input	IN		X	Input communication in FWH mode.
RST#	Reset	IN	X	X	To reset the operation of the device
WP#	Write Protect	IN		X	When low, prevents any write operations to all but the highest addressable block. When WP# is high it disables hardware write protection for these blocks. This pin cannot be left unconnected.
R/C#	Row/Column Select	IN	X		This pin determines whether the address pins are pointing to the row addresses or the column addresses in A/A Mux mode.
RB#	Ready/Busy#	OUT	X		To determine if the device is busy in write operations. Valid only in A/A Mux mode.
RES	Reserved			X	Reserved. These pins must be left unconnected.
VDD	Power Supply	PWR	X	X	To provide power supply (3.0-3.6Volt).
VSS	Ground	PWR	X	X	Circuit ground. All VSS pins must be grounded.
NC	No Connection		X	X	Unconnected pins.

1. IN=Input, OUT=output, I/O=Input/Output, PWR=Power

## ABSOLUTE MAXIMUM RATINGS\*

Temperature Under Bias	-55°C to + 125°C
Storage Temperature	-65°C to + 125°C
D.C. Voltage on Any Pins with Respect to Ground <sup>(1)</sup>	-0.5V to VDD + 0.5V
Package Power Dissipation Capability (Ta=25°C)	-0.5V to VDD + 0.5V
Output Short Circuit Current <sup>(2)</sup>	50mA

### Notes:

1. Minimum DC voltage on input or I/O pins is -0.5V. During voltage transitions, input or I/O pins may undershoot VSS to -2.0V for periods of up to 20ns. Maximum DC voltage on input and I/O pins is VDD + 0.5V. During voltage transitions, input or I/O pins may overshoot to VDD + 2.0V for periods up to 20ns.
2. No more than one output is shorted at a time. Duration of the short circuit should not be greater than one second.

## MODE SELECTION

The A49LF004 flash memory devices can operate in two distinct interface modes: the Firmware Hub Interface (FWH) mode and the Address/Address Multiplexed (A/A Mux) mode. The IC (Interface Configuration pin) is used to set the interface mode selection. If the IC pin is set to logic High, the device is in A/A Mux mode; while if the IC pin is set Low, the device is in the FWH mode. The IC selection pin must be configured prior to device operation. The IC pin is internally pulled down if the pin is not connected. In FWH mode, the device is configured to interface with its host using Intel's Firmware Hub proprietary protocol. Communication between Host and the A49LF004 occurs via the 4-bit I/O communication signals, FWH [3:0] and the FWH4. In A/A Mux mode, the device is programmed via an 11-bit address A<sub>10</sub>-A<sub>0</sub> and an 8-bit data I/O<sub>7</sub>-I/O<sub>0</sub> parallel signals. The address inputs are multiplexed in row and column selected by control signal R/C# pin. The column addresses are mapped to the higher internal addresses, and the row addresses are mapped to the lower internal addresses. See the Device Memory Maps in Figure 3 for address assignment.

## FWH MODE OPERATION

The FWH interface consists of four data signals (FWH[3:0]), one control signal (FWH4) and a clock (CLK). The data signals, control signal and clock comply with PCI specifications. Operations such as Memory Read and Memory Write use Intel FWH propriety protocol. JEDEC Standard SDP (Software Data Protection) Byte-Program and Block-Erase command sequences are incorporated into the FWH memory cycles. Chip-Erase command is only available in A/A Mux mode. The addresses and data are transferred through FWH[3:0] synchronized with the input clock CLK during a FWH memory cycle. The pulse of FWH4 is inserted for at least one clock period to indicate the start of a FWH memory cycle. The address or data on FWH[3:0] is latched on the rising edge of CLK. The device enters standby mode

## \*Comments

Stresses above those listed under "Absolute Maximum Ratings" may cause permanent damage to this device. These are stress ratings only. Functional operation of this device at these or any other conditions above those indicated in the operational sections of these specifications are not implied or intended. Exposure to the absolute maximum rating conditions for extended periods may affect device reliability.

## Operating Ranges

### Commercial (C) Devices

Ambient Temperature (T<sub>A</sub>) . . . . . 0°C to +85°C

### VDD Supply Voltages

VDD for all devices . . . . . +3.0V to +3.6V

Operating ranges define those limits between which the functionality of the device is guaranteed.

when FWH4 is high and no internal operation is in progress. The device is in ready mode when FWH4 is low and no activity is on the FWH bus.

## FWH Read Operation

FWH Read operations read from the memory cells or specific registers in the FWH device. A valid FWH Read operation starts when FWH4 is Low as CLK rises and a START value "1101b" is on FWH[3:0]. Addresses and data are transferred to and from the device decided by a series of "fields". Field sequences and contents are strictly defined for FWH Read operations. Refer to Table 2 for FWH Read Cycle Definition.

## FWH Write Operation

FWH Write operations write to the FWH Interface or FWH registers. A valid FWH Write operation starts when FWH4 is Low as CLK rises and a START value "1110b" is on FWH[3:0]. Addresses and data are transferred to and from the device decided by a series of "fields". Field sequences and contents are strictly defined for FWH Write operations. Refer to Table 3 for FWH write Cycle Definition.

## FWH Abort Operation

If FWH4 is driven low for one or more clock cycles during a FWH cycle, the cycle will be terminated and the device will wait for the ABORT command. The host may drive the FWH[3:0] with '1111b' (ABORT command) to return the device to Ready mode. If abort occurs during a Write operation, the data may be incorrectly altered.

## Response To Invalid Fields

During FWH operations, the FWH will not explicitly indicate that it has received invalid field sequences. The response to specific invalid fields or sequences is as follows:

**Address out of range:** The FWH address sequence is 7 fields long (28 bits), but only the last five address fields (20 bits) will be decoded by A49LF004. Address A22 has the special function of directing reads and writes to the flash memory (A22=1) or to the register space (A22=0).

Table 2: FWH Read Cycle

Clock Cycle	Field	FWH[3:0]	MEMORY I/O	Descriptions
1	START	1101	IN	FWH4 must be active (low) for the part to respond. Only the last start field (before FWH4 transitioning high) should be recognized. The START field contents indicate an FWH read cycle.
2	IDSEL	0000 to 1111	IN	Indicates which FWH device should respond. If the IDSEL (ID select) field matches the value ID[3:0], then that particular device will respond to subsequent commands.
3-9	IMADDR	YYYY	IN	These seven clock cycles make up the 28-bit memory address. YYYY is one nibble of the entire address. Addresses are transferred most-significant nibble first.
10	IMSIZE	0000 (1 byte)	IN	A field of this size indicates how many bytes will be transferred during multibyte operations.
11	TAR0	1111	IN then float	In this clock cycle, the master (Intel ICH) has driven the bus to all 1s and then floats the bus, prior to the next clock cycle. This is the first part of the bus "turnaround cycle."
12	TAR1	1111 (float)	Float then OUT	The FWH takes control of the bus during this cycle. During the next clock cycle, it will be driven "sync data."
13	RSYNC	0000 (READY)	OUT	During this clock cycle, the FWH will generate a "ready-sync" (RSYNC) indicating that the least-significant nibble of the least-significant byte will be available during the next clock cycle.
14	DATA	YYYY	OUT	YYYY is the least-significant nibble of the data byte.
15	DATA	YYYY	OUT	YYYY is the most-significant nibble of the data byte.
16	TAR0	1111	OUT then float	In this clock cycle, the A49LF004 has driven the bus to all 1s and then floats the bus prior to the next clock cycle. This is the first part of the bus "turnaround cycle."
17	TAR1	1111 (float)	Float then IN	The master (Intel ICH) resumes control of the bus during this cycle.

FWH Single-Byte Read Waveforms

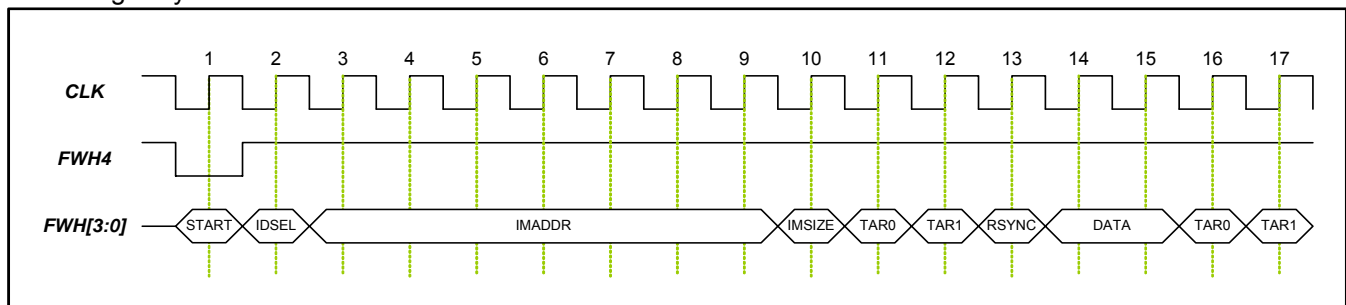
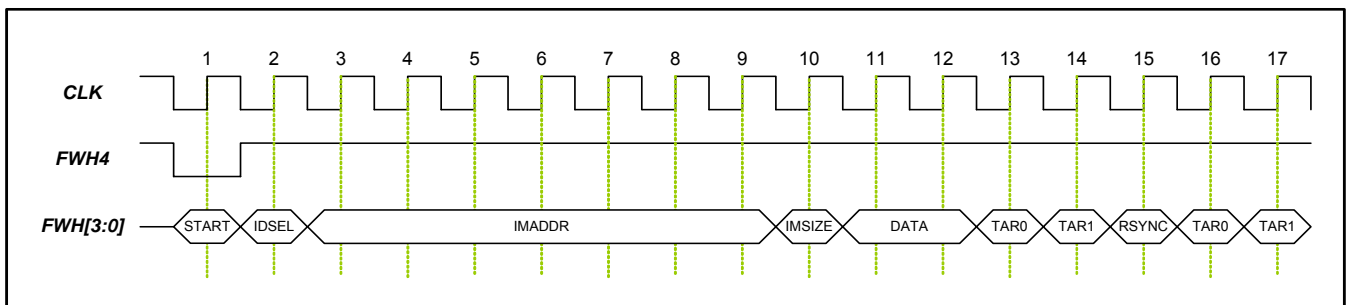


Table 3: FWH Write Cycle

Clock Cycle	Field	FWH[3:0]	MEMORY I/O	Descriptions
1	START	1110	IN	FWH4 must be active (low) for the part to respond. Only the last start field (before FWH4 transitioning high) should be recognized. The START field contents indicate an FWH write cycle.
2	IDSEL	0000 to 1111	IN	Indicates which FWH device should respond. If the IDSEL (ID select) field matches the value ID[3:0], then that particular device will respond to subsequent commands.
3-9	IMADDR	YYYY	IN	These seven clock cycles make up the 28-bit memory address. YYYY is one nibble of the entire address. Addresses are transferred most-significant nibble first.
10	IMSIZE	0000 (1 byte)	IN	A field of this size indicates how many bytes will be transferred during multibyte operations.
11	DATA	YYYY	IN	This field is the least-significant nibble of the data byte. This data is either the data to be programmed into the flash memory or any valid flash command.
12	DATA	YYYY	IN	This field is the most-significant nibble of the data byte.
13	TAR0	1111	IN then float	In this clock cycle, the master (Intel ICH) has driven the bus to all 1s then floats the bus, prior to the next clock cycle. This is the first part of the bus "turnaround cycle."
14	TAR1	1111 (float)	Float then OUT	The A49LF004 takes control of the bus during this cycle. During the next clock cycle it will be driving the "sync" data.
15	RSYNC	0000	OUT	The A49LF004 outputs the values 0000, indicating that it has received data or a flash command.
16	TAR0	1111	OUT then float	In this clock cycle, the A49LF004 has driven the bus to all ones and then floats the bus prior to the next clock cycle. This is the first part of the bus "turnaround cycle."
17	TAR1	1111 (float)	Float then IN	The master (Intel ICH) resumes control of the bus during this cycle.

FWH Write Waveforms





**Invalid IMSIZE field:** If the FWH receives an invalid size field during a Read or Write operation, the device will reset and no operation will be attempted. The A49LF004 will not generate any kind of response in this situation. Invalid size fields for a Read/Write cycle are anything but 0000b.

### Device Memory Hardware Write Protection

The Top Boot Lock (TBL#) and Write Protect (WP#) pins are provided for hardware write protection of device memory in the A49LF004. The TBL# pin is used to write protect the top boot block (64 Kbytes) at the highest flash memory address range for the A49LF004. WP# pin write protects the remaining blocks in the flash memory. An active low signal at the TBL# pin prevents Program and Erase operations of the top boot block. When TBL# pin is held high, write protection of the top boot block is then determined by the Boot Block Locking register. The WP# pin serves the same function for the remaining blocks of the device memory. The TBL# and WP# pins write protection functions operate independently of one another. Both TBL# and WP# pins must be set to their required protection states prior to starting a Program or Erase operation. A logic level change occurring at the TBL# or WP# pin during a Program or Erase operation could cause unpredictable results. TBL# and WP# pins cannot be left unconnected. TBL# is internally ORed with the top Boot Block Locking register. When TBL# is low, the top Boot Block is hardware write protected regardless of the state of the Write-Lock bit for the Boot Block Locking register. Clearing the Write-Lock bit in the register when TBL# is low will have no functional effect, even though the register may indicate that the block is no longer locked. WP# is internally ORed with the Block Locking register. When WP# is low, the blocks are hardware write protected regardless of the state of the Write-Lock bit for the corresponding Block Locking registers. Clearing the Write-Lock bit in any register when WP# is low will have no functional effect, even though the register may indicate that the block is no longer locked.

### Reset

A  $V_{IL}$  on INIT# or RST# pin initiates a device reset. INIT# and RST# pins have the same function internally. It is required to drive INIT# or RST# pins low during a system reset to ensure proper CPU initialization. During a Read operation, driving INIT# or RST# pins low deselects the device and places the output drivers, FWH[3:0], in a high-impedance state. The reset signal must be held low for a minimal duration of time  $T_{RSTP}$ . A reset latency will occur if a reset procedure is performed during a Program or Erase operation. See Table 16, Reset Timing Parameters for more information. A device reset during an active Program or Erase will abort the operation and memory contents may become invalid due to data being altered or corrupted from an incomplete Erase or Program operation. In this case, the device can take up to  $T_{RSTE}$  to abort a Program or Erase operation.

### Write Operation Status Detection

The A49LF004 device provides two software means to detect the completion of a Write (Program or Erase) cycle, in order to optimize the system Write cycle time. The software

detection includes two status bits: Data# Polling (I/O<sub>7</sub>) and Toggle Bit (I/O<sub>6</sub>). The End-of-Write detection mode is incorporated into the FWH Read cycle. The actual completion of the nonvolatile write is asynchronous with the system; therefore, either a Data# Polling or Toggle Bit read may be simultaneous with the completion of the Write cycle. If this occurs, the system may possibly get an erroneous result, i.e., valid data may appear to conflict with either I/O<sub>7</sub> or I/O<sub>6</sub>. In order to prevent spurious rejection, if an erroneous result occurs, the software routine should include a loop to read the accessed location an additional two times. If both reads are valid, then the device has completed the Write cycle, otherwise the rejection is valid.

### Data# Polling (I/O<sub>7</sub>)

When the A49LF004 device is in the internal Program operation, any attempt to read I/O<sub>7</sub> will produce the complement of the true data. Once the Program operation is completed, I/O<sub>7</sub> will produce true data. Note that even though I/O<sub>7</sub> may have valid data immediately following the completion of an internal Write operation, the remaining data outputs may still be invalid: valid data on the entire data bus will appear in subsequent successive Read cycles after an interval of 1  $\mu$ s. During internal Erase operation, any attempt to read I/O<sub>7</sub> will produce a '0'. Once the internal Erase operation is completed, I/O<sub>7</sub> will produce a '1'. Proper status will not be given using Data# Polling if the address is in the invalid range.

### Toggle Bit (I/O<sub>6</sub>)

During the internal Program or Erase operation, any consecutive attempts to read I/O<sub>6</sub> will produce alternating '0's and '1's, i.e., toggling between 0 and 1. When the internal Program or Erase operation is completed, the toggling will stop.

### Multiple Device Selection

The four ID pins, ID[3:0], allow multiple devices to be attached to the same bus by using different ID strapping in a system. When the A49LF004 is used as a boot device, ID[3:0] must be strapped as 0000, all subsequent devices should use a sequential up-count strapping (i.e. 0001, 0010, 0011, etc.). The A49LF004 will compare the strapping values, if there is a mismatch, the device will ignore the remainder of the cycle and go into standby mode. For further information regarding FWH device mapping and paging, please refer to the Intel 82801(ICH) I/O Controller Hub documentation. Since there is no ID support in A/A Mux mode, to program multiple devices a stand-alone PROM programmer is recommended.

### REGISTERS

There are three types of registers available on the A49LF004, the General Purpose Inputs Register, Block Locking Registers, and the JEDEC ID Registers. These registers appear at their respective address location in the 4 GByte system memory map. Unused register locations will read as 00H. Any attempt to read or write any register during an internal Write operation will be ignored. Refer to Table 4 for the FWH register memory map.

Table 4: FWH Register Memory Map

Memory Address	Mnemonic	Register Name	Default	Type
FFBF0002h	T_BLOCK_LK	Top Block Lock Register (Block 7)	01h	R/W
FFBE0002h	T_MINUS01_LK	Top Block [-1] Lock Register (Block 6)	01h	R/W
FFBD0002h	T_MINUS02_LK	Top Block [-2] Lock Register (Block 5)	01h	R/W
FFBC0002h	T_MINUS03_LK	Top Block [-3] Lock Register (Block 4)	01h	R/W
FFBB0002h	T_MINUS04_LK	Top Block [-4] Lock Register (Block 3)	01h	R/W
FFBA0002h	T_MINUS05_LK	Top Block [-5] Lock Register (Block 2)	01h	R/W
FFB90002h	T_MINUS06_LK	Top Block [-6] Lock Register (Block 1)	01h	R/W
FFB80002h	T_MINUS07_LK	Top Block [-7] Lock Register (Block 0)	01h	R/W
FFBC0100h	FGPI_REG	FWH General Purpose Input Register	N/A	R
FFBC0000h	MANUF_REG	Manufacturer ID Register	37h	R
FFBC0001h	DEV_REG	Device ID Register	95h	R
FFBC0003h	CONT_REG	Continuation ID Register	7Fh	R

#### General Purpose Inputs Register

The GPI\_REG (General Purpose Inputs Register) passes the state of FGPI[4:0] pins at power-up on the A49LF004. It is recommended that the FGPI[4:0] pins are in the desired state before FWH4 is brought low for the beginning of the bus cycle, and remain in that state until the end of the cycle. There is no default value since this is a pass-through register. The GPI register for the boot device appears at FFBC0100H in the 4 GByte system memory map, and will appear elsewhere if the device is not the boot device. Register is not available for read when the device is in Erase/Program operation. See Table 5 for the GPI\_REG bits and function.

Table 5: General Purpose Inputs Register

Bit	Bit Name	Function	Pin Number	
			32-PLCC	32-TSOP
7:5	-	Reserved	-	-
4	FGPI[4]	GPI_REG Bit 4	30	6
3	FGPI[3]	GPI_REG Bit 3	3	11
2	FGPI[2]	GPI_REG Bit 2	4	12
1	FGPI[1]	GPI_REG Bit 1	5	13
0	FGPI[0]	GPI_REG Bit 0	6	14

#### Block Locking Registers

A49LF004 provides software controlled lock protection through a set of Block Locking registers. The Block Locking Registers are read/write registers and it is accessible through standard addressable memory locations specified in Table 6. Unused register locations will read as 00H.

**Write-Lock.** The Write-Lock Bit determines whether the contents of the Block can be modified (using the Program or Erase Command). When the Write-Lock Bit is set to '1', the block is write protected; any operations that attempt to change the data in the block will fail and the Status Register will report the error. When the Write-Lock Bit is reset to '0', the block is not write protected through the Locking Register and may be modified unless write protected through some other means. If Top Block Lock, TBL#, is Low,  $V_{IL}$ , then the Top Block (Block 7) is write protected and cannot be modified.

Similarly, if Write Protect, WP#, is Low,  $V_{IL}$ , then the Main Blocks (Blocks 0 to 6) are write protected and cannot be modified. After power-up or reset the Write-Lock Bit is always set to '1' (write protected).

**Read-Lock.** The Read-Lock bit determines whether the contents of the Block can be read (from Read mode). When the Read-Lock Bit is set to '1', the block is read protected; any operation that attempts to read the contents of the block will read 00h instead. When the Read-Lock Bit is reset to '0', read operations in the Block return the data programmed into the block as expected. After power-up or reset the Read-Lock Bit is always reset to '0' (not read protected).

**Lock-Down.** The Lock-Down Bit provides a mechanism for protecting software data from simple hacking and malicious attack. When the Lock-Down Bit is set to '1', further modification to the Write-Lock, Read-Lock and Lock-Down Bits cannot be performed. A reset or power-up is required before changes to these bits can be made. When the Lock-Down Bit is reset to '0', the Write-Lock, Read-Lock and Lock-Down Bits can be changed.

Table 6: Lock Register Bit Definition

Data	Reserved Bit 7:3	Read-Lock Bit 2	Lock-Down Bit 1	Write-Lock Bit 0	Function
00h	00000	0	0	0	Full Access.
01h	00000	0	0	1	Write locked. Default state at power-up.
02h	00000	0	1	0	Locked open (full access locked down).
03h	00000	0	1	1	Write-locked down.
04h	00000	1	0	0	Read locked.
05h	00000	1	0	1	Read and Write locked.
06h	00000	1	1	0	Read-locked down
07h	00000	1	1	1	Read- and Write-locked down

Data	Function
7:3	<b>Reserved</b>
2	<b>Read-Lock</b> 1 = Prevents read operations in the block where set 0 = Normal operation for reads in the block where clear. This is the default state.
1	<b>Lock-Down</b> 1 = Prevents further set or clear operations to the Write-Lock and Read-Lock bits. Lock-Down only can be set but not clear. The block will remain lock-down until reset (with RST# or INIT# being Low), or until the device is power-on reset. 0 = Normal operation for Write-Lock and Read-Lock bit altering in the block where clear. This is the default state.
0	<b>Write-Lock</b> 1 = Prevents program or erase operations in the block where set. This is the default state. 0 = Normal operation for programming and erase in the block where clear.

## ADDRESS/ADDRESS MULTIPLEXED (A/A MUX) MODE

### Device Operation

Commands are used to initiate the memory operation functions of the device. The data portion of the software command sequence is latched on the rising edge of WE#. During the software command sequence the row address is latched on the falling edge of R/C# and the column address is latched on the rising edge of R/C#. Refer to Table 7 and Table 8 for operation modes and the command sequence.

### Read

The Read operation of the A49LF004 device is controlled by OE#. OE# is the output control and is used to gate data from the output pins. Refer to the Read cycle timing diagram, Figure 10 for further details.

### Reset

A  $V_{IL}$  on RST# pin initiates a device reset.

### Byte-Program Operation

The A49LF004 device is programmed on a byte-by-byte basis. Before programming, one must ensure that the block, in which the byte which is being programmed exists, is fully erased. The Byte-Program operation is initiated by executing a four-byte command load sequence for Software Data Protection with address and data in the last byte sequence. During the Byte-Program operation, the row address (A10-A0) is latched on the falling edge of R/C# and the column Address (A21-A11) is latched on the rising edge of R/C#. The data bus is latched in the rising edge of WE#. See Figure 11 for Program operation timing diagram, Figure 14 for timing waveforms, and Figure 19 for its flowchart. During the Program operation, the only valid reads are Data# Polling and Toggle Bit. During the internal Program operation, the host is free to perform additional tasks. Any commands written during the internal Program operation will be ignored.

Table 7: A/A Mux Mode Operation Selection

Mode	RST#	OE#	WE#	Address	I/O
Read	V <sub>IH</sub>	V <sub>IL</sub>	V <sub>IH</sub>	A <sub>IN</sub>	D <sub>OUT</sub>
Write	V <sub>IH</sub>	V <sub>IH</sub>	V <sub>IL</sub>	A <sub>IN</sub>	D <sub>IN</sub>
Standby	V <sub>IH</sub>	V <sub>IH</sub>	V <sub>IH</sub>	X	High Z
Output Disable	V <sub>IH</sub>	V <sub>IH</sub>	X	X	High Z
Reset	V <sub>IL</sub>	X	X	X	High Z
Product Identification	V <sub>IH</sub>	V <sub>IL</sub>	V <sub>IH</sub>	A21 – A2 = X, A1 = V <sub>IL</sub> , A0 = V <sub>IL</sub>	Manufacturer ID
				A21 – A2 = X, A1 = V <sub>IL</sub> , A0 = V <sub>IH</sub>	Device ID
				A21 – A2 = X, A1 = V <sub>IH</sub> , A0 = V <sub>IH</sub>	Continuation ID

### Block-Erase Operation

The Block-Erase Operation allows the system to erase the device in 64 KByte uniform block size for the A49LF004. The Block-Erase operation is initiated by executing a six-byte command load sequence for Software Data Protection with Block-Erase command (30H or 50H) and block address. The internal Block-Erase operation begins after the sixth WE# pulse. The End-of-Erase can be determined using either Data# Polling or Toggle Bit methods. See Figure 15 for timing waveforms. Any commands written during the Block- Erase operation will be ignored.

### Chip-Erase

The A49LF004 device provides a Chip-Erase operation only in A/A Mux mode, which allows the user to erase the entire memory array to the '1's state. This is useful when the entire device must be quickly erased. The Chip-Erase operation is initiated by executing a six-byte Software Data Protection command sequence with Chip-Erase command (10H) with address 5555H in the last byte sequence. The internal Erase operation begins with the rising edge of the sixth WE#. During the internal Erase operation, the only valid read is Toggle Bit or Data# Polling. See Table 8 for the command sequence, Figure 16 for timing diagram, and Figure 21 for the flowchart. Any commands written during the Chip-Erase operation will be ignored.

### Write Operation Status Detection

The A49LF004 device provides two software means to detect the completion of a Write (Program or Erase) cycle, in order to optimize the system Write cycle time. The software detection includes two status bits: Data# Polling (I/O<sub>7</sub>) and Toggle Bit (I/O<sub>6</sub>). The End-of-Write detection mode is enabled after the rising edge of WE# which initiates the internal Program or Erase operation. The actual completion of the nonvolatile write is asynchronous with the system; therefore, either a Data# Polling or Toggle Bit read may be simultaneous with the completion of the Write cycle. If this occurs, the system may possibly get an erroneous result, i.e., valid data may appear to conflict with either I/O<sub>7</sub> or I/O<sub>6</sub>. In order to prevent spurious rejection, if an erroneous result occurs, the software routine should include a loop to read the accessed location an additional two times. If both reads are valid, then the device has completed the Write cycle, otherwise the rejection is valid.

### Data# Polling (I/O<sub>7</sub>)

When the A49LF004 device is in the internal Program operation, any attempt to read I/O<sub>7</sub> will produce the complement of the true data. Once the Program operation is completed, I/O<sub>7</sub> will produce true data. Note that even though I/O<sub>7</sub> may have valid data immediately following the completion of an internal Write operation, the remaining data outputs may still be invalid: valid data on the entire data bus will appear in subsequent successive Read cycles after an interval of 1 μs. During internal Erase operation, any attempt to read I/O<sub>7</sub> will produce a '0'. Once the internal Erase operation is completed, I/O<sub>7</sub> will produce a '1'. The Data# Polling is valid after the rising edge of fourth WE# pulse for Program operation. For Block- or Chip-Erase, the Data# Polling is valid after the rising edge of sixth WE# pulse. See Figure 12 for Data# Polling timing diagram. Proper status will not be given using Data# Polling if the address is in the invalid range.

### Toggle Bit (I/O<sub>6</sub>)

During the internal Program or Erase operation, any consecutive attempts to read I/O<sub>6</sub> will produce alternating '0's and '1's, i.e., toggling between 0 and 1. When the internal Program or Erase operation is completed, the toggling will stop. The device is then ready for the next operation. The Toggle Bit is valid after the rising edge of fourth WE# pulse for Program operation. For Block- or Chip-Erase, the Toggle Bit is valid after the rising edge of sixth WE# pulse. See Figure 13 for Toggle Bit timing diagram.

### Data Protection

The A49LF004 device provides both hardware and software features to protect nonvolatile data from inadvertent writes.

### Hardware Data Protection

Noise/Glitch Protection: A WE# pulse of less than 5 ns will not initiate a Write cycle.

V<sub>DD</sub> Power Up/Down Detection: The Write operation is inhibited when V<sub>DD</sub> is less than 1.5V.

Write Inhibit Mode: Forcing OE# low, WE# high will inhibit the Write operation. This prevents inadvertent writes during power-up or power-down.

### Software Data Protection (SDP)

The A49LF004 provides the JEDEC approved Software Data Protection scheme for all data alteration operation, i.e., Program and Erase. Any Program operation requires the inclusion of a series of three-byte sequences. The three-byte load sequence is used to initiate the Program operation, providing optimal protection from inadvertent Write operations, e.g., during the system power-up or power-down. Any Erase operation requires the inclusion of a six-byte load sequence. The A49LF004 device is shipped with the Software Data Protection permanently enabled. See Table 8 for the specific software command codes. During SDP command sequence, invalid commands will abort the device to Read mode, within  $T_{RC}$ .

### Electrical Specifications

The AC and DC specifications for the FWH Interface signals (FWH[3:0], CLK, FWH4, and RST#) as defined in Section 4.2.2 of the *PCI Local Bus Specification, Rev. 2.1*. Refer to Table 9 for the DC voltage and current specifications. Refer to the specifications on Table 10 to Table 19 for Clock, Read/Write, and Reset operations.

### Product Identification

The product identification mode identifies the Manufacturer ID, Continuation ID, and Device ID of the A49LF004. See Table 7 for detail information.



Table 8: Software Data Protection Command Definition

Command	Bus Cycles	1 <sup>st</sup> Cycle <sup>(1)</sup>		2 <sup>nd</sup> Cycle		3 <sup>rd</sup> Cycle		4 <sup>th</sup> Cycle		5 <sup>th</sup> Cycle		6 <sup>th</sup> Cycle	
		Addr <sup>(2)</sup>	Data	Addr	Data	Addr	Data	Addr	Data	Addr	Data	Addr	Data
<b>Block Erase</b>	6	5555H	AAH	2AAAH	55H	5555H	80H	5555H	AAH	2AAAH	55H	BA <sup>(4)</sup>	30H/50H <sup>(5)</sup>
<b>Chip Erase<sup>(3)</sup></b>	6	5555H	AAH	2AAAH	55H	5555H	80H	5555H	AAH	2AAAH	55H	5555H	10H
<b>Byte Program</b>	4	5555H	AAH	2AAAH	55H	5555H	A0H	PA <sup>(6)</sup>	PD <sup>(6)</sup>				
<b>Product ID Entry</b>	3	5555H	AAH	2AAAH	55H	5555H	90H						
<b>Product ID Exit<sup>(7)</sup></b>	1	XXXX	F0H										
<b>Product ID Exit<sup>(7)</sup></b>	3	5555H	AAH	2AAAH	55H	5555H	F0H						

## Notes:

1. FWH Mode uses consecutive Write cycles to complete a command sequence; A/A Mux Mode uses consecutive bus cycles to complete a command sequence.
2. Addresses A14 – A0 are used for SDP command decoding; A21 – A15 can be V<sub>IL</sub> or V<sub>IH</sub> but no other value for the command sequence in A/A Mux Mode.
3. Chip erase is available in A/A Mux Mode only.
4. BA: Block Erase Address.
5. Either 30H or 50H are acceptable for Block Erase.
6. PA: Program Byte Address; PD: Byte data to be programmed.
7. Both Product ID Exit commands are equivalent.

**Operating Range**

Range	Ambient Temperature	V <sub>DD</sub>
Commercial	0°C to +85°C	3.0-3.6V

**AC Conditions of Test**

Input Rise/Fall Time	3ns
Output Load	CL = 30pF

**Table 9: DC Operating Characteristics (All Interfaces)**

Symbol	Parameter	Limits			Test Conditions
		Min	Max	Units	
I <sub>DD</sub>	Active V <sub>DD</sub> Current: Read		12	mA	Address Input=V <sub>IL</sub> /V <sub>IH</sub> , at F=1/T <sub>RC</sub> Min, V <sub>DD</sub> =V <sub>DD</sub> Max(A/A Mux Mode) OE#=V <sub>IH</sub> , WE#=V <sub>IH</sub>
	Active V <sub>DD</sub> Current: Write <sup>(1)</sup>		24	mA	
I <sub>SB</sub>	Standby V <sub>DD</sub> Current (FWH Mode)		100	μA	FWH4=0.9V <sub>DD</sub> , f=33MHz, V <sub>DD</sub> =V <sub>DD</sub> Max, All other inputs ≥ 0.9V <sub>DD</sub> or ≤ 0.1V <sub>DD</sub>
I <sub>RY</sub> <sup>(2)</sup>	Ready Mode V <sub>DD</sub> Current (FWH Mode)		10	mA	FWH4=V <sub>IL</sub> , f=33MHz, V <sub>DD</sub> =V <sub>DD</sub> Max, All other inputs ≥ 0.9V <sub>DD</sub> or ≤ 0.1V <sub>DD</sub>
I <sub>I</sub>	Input Current for IC and ID[3:0] Pins		100	μA	V <sub>IN</sub> =GND to V <sub>DD</sub> , V <sub>DD</sub> =V <sub>DD</sub> Max
I <sub>LI</sub>	Input Leakage Current		1	μA	V <sub>IN</sub> =GND to V <sub>DD</sub> , V <sub>DD</sub> =V <sub>DD</sub> Max
I <sub>LO</sub>	Output Leakage Current		1	μA	V <sub>OUT</sub> =GND to V <sub>DD</sub> , V <sub>DD</sub> =V <sub>DD</sub> Max
V <sub>IHI</sub> <sup>(3)</sup>	INIT# Input High Voltage	1.0	V <sub>DD</sub> +0.5	V	V <sub>DD</sub> =V <sub>DD</sub> Max
V <sub>ILI</sub> <sup>(3)</sup>	INIT# Input Low Voltage	-0.5	0.4	V	V <sub>DD</sub> =V <sub>DD</sub> Min
V <sub>IH</sub>	Input High Voltage	0.5V <sub>DD</sub>	V <sub>DD</sub> +0.5	V	V <sub>DD</sub> =V <sub>DD</sub> Max
V <sub>IL</sub>	Input Low Voltage	-0.5	0.3V <sub>DD</sub>	V	V <sub>DD</sub> =V <sub>DD</sub> Min
V <sub>OL</sub>	Output Low Voltage		0.1V <sub>DD</sub>	V	I <sub>OL</sub> =1500μA, V <sub>DD</sub> =V <sub>DD</sub> Min
V <sub>OH</sub>	Output High Voltage	0.9V <sub>DD</sub>		V	I <sub>OH</sub> =-500μA, V <sub>DD</sub> =V <sub>DD</sub> Min

**Notes:**

- I<sub>DD</sub> active while Erase or Program is in progress.
- The device is in Ready Mode when no activity is on the FWH bus.
- Do not violate processor or chipset specification regarding INIT# voltage.

**Table 10: Recommended System Power-Up Timings**

Symbol	Parameter	Min	Units
T <sub>PU-READ</sub> <sup>(1)</sup>	Power-up to Read Operation	100	μs
T <sub>PU-WRITE</sub> <sup>(1)</sup>	Power-up to Write Operation	100	μs

**Notes:**

- This parameter is measured only for initial qualification and after a design or process change that could affect this parameter.



Table 11: Pin Impedance ( $V_{DD}=3.3V$ ,  $T_a=25^{\circ}C$ ,  $f=1MHz$ , other pins open)

Parameter	Description	Test Condition	Max
$C_{I/O}^{(1)}$	I/O Pin Capacitance	$V_{I/O} = 0V$	12pF
$C_{IN}^{(1)}$	Input Capacitance	$V_{IN} = 0V$	12pF
$L_{PIN}^{(2)}$	Pin Inductance		20nH

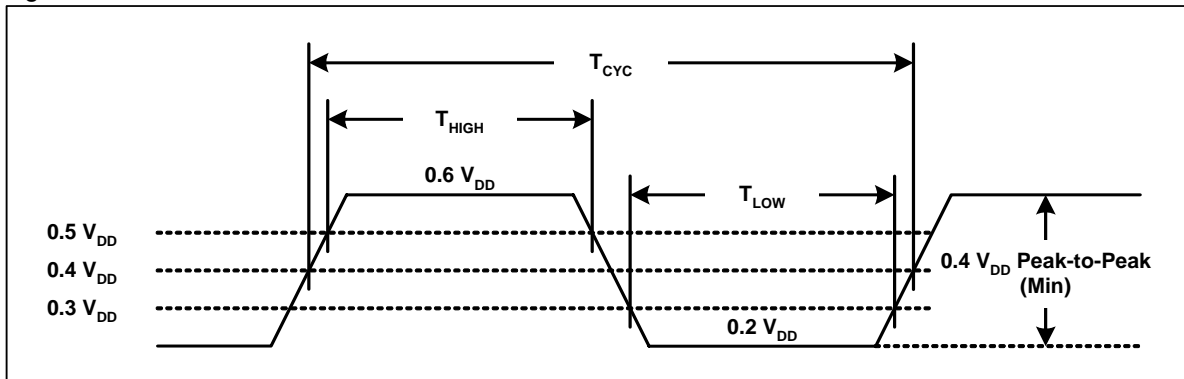
Notes:

1. This parameter is measured only for initial qualification and after a design or process change that could affect this parameter.
2. Refer to PCI specifications.

Table 12: Clock Timing Parameters

Symbol	Parameter	Min	Max	Units
$T_{CYC}$	CLK Cycle Time	30		ns
$T_{HIGH}$	CLK High Time	11		ns
$T_{LOW}$	CLK Low Time	11		ns
	CLK Slew Rate (peak-to-peak)	1	4	V/ns

Figure 4: CLK Waveform


 Table 13: FWH Mode Read/Write Cycle Timing Parameters,  $V_{DD}=3.0-3.6V$ 

Symbol	Parameter	Min	Max	Units
$T_{SU}$	Input Set Up Time to CLK Rising	7		ns
$T_{DH}$	CLK Rising to Data Hold Time	0		ns
$T_{VAL}$	CLK Rising to Data Valid	2	11	ns
$T_{ON}$	CLK Rising to Active (Float to Active Delay)	2		ns
$T_{OFF}$	CLK Rising to Inactive (Active to Float Delay)		28	ns

Table 14: FWH Mode Interface Measurement Condition Parameters

Symbol	Value	Units
$V_{TH}$	$0.6 V_{DD}$	V
$V_{TL}$	$0.2 V_{DD}$	V
$V_{TEST}$	$0.4 V_{DD}$	V
$V_{MAX}$	$0.4 V_{DD}$	V
Input Signal Edge Rate	1V/ns	

Figure 5: Input Timing Parameters

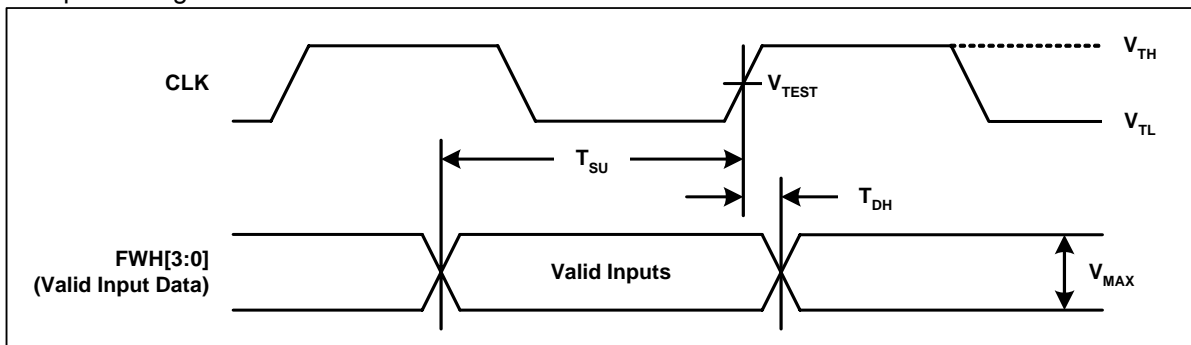
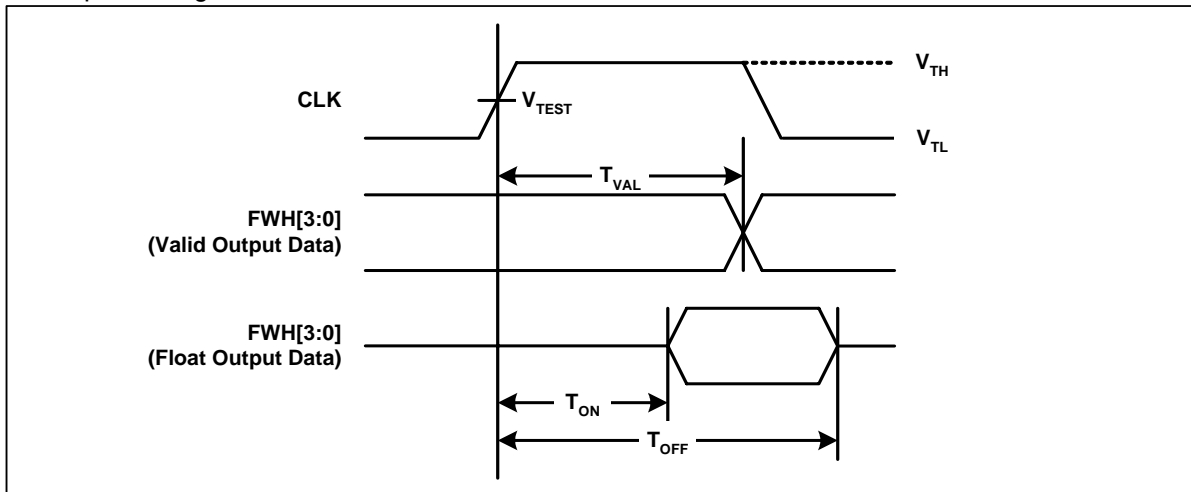


Figure 6: Output Timing Parameters



**Table 15: FWH Mode Interface AC Input/Output Characteristics**

Symbol	Parameter	Test Conditions	Min	Max	Units
<b>I<sub>OH</sub> (AC)</b>	Switching Current High	$0 < V_{OUT} \leq 0.3V_{DD}$	$-12 V_{DD}$		mA
		$0.3V_{DD} < V_{OUT} \leq 0.9V_{DD}$	$-17.1(V_{DD}-V_{OUT})$		mA
		$0.7V_{DD} < V_{OUT} \leq V_{DD}$		Equation C	mA
	(Test Point)	$V_{OUT} = 0.7V_{DD}$		$-32 V_{DD}$	mA
<b>I<sub>OL</sub> (AC)</b>	Switching Current Low	$V_{DD} > V_{OUT} \geq 0.6V_{DD}$	$16V_{DD}$		mA
		$0.6V_{DD} > V_{OUT} > 0.1V_{DD}$	$26.7V_{OUT}$		mA
		$0.18V_{DD} > V_{OUT} > 0$		Equation D	mA
	(Test Point)	$V_{OUT}=0.18V_{DD}$		$38V_{DD}$	mA
<b>I<sub>CL</sub></b>	Low Clamp Current	$-3 < V_{IN} \leq -1$	$-25+(V_{IN}+1)/0.015$		mA
<b>I<sub>CH</sub></b>	High Clamp Current	$V_{DD}+4 > V_{IN} > V_{DD}+1$	$25+(V_{IN}-V_{DD}-1)/0.015$		mA
<b>slewr</b>	Output Rise Slew Rate	$0.2V_{DD}$ - $0.6V_{DD}$ load	1	4	V/ns
<b>slewf</b>	Output Fall Slew Rate	$0.6V_{DD}$ - $0.2V_{DD}$ load	1	4	V/ns

Notes:

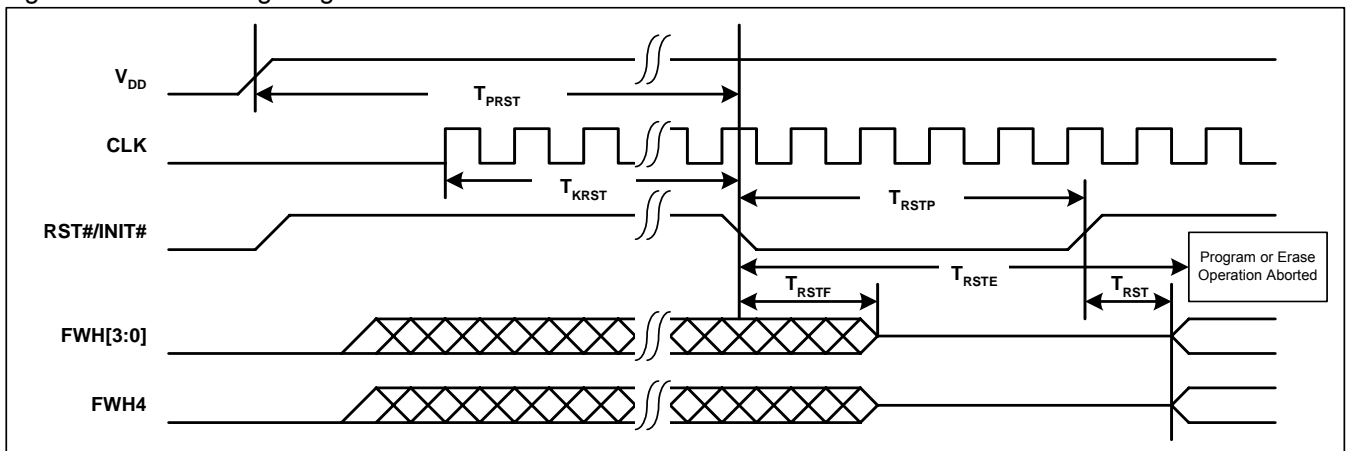
- See PCI specification.
- PCI specification output load is used.

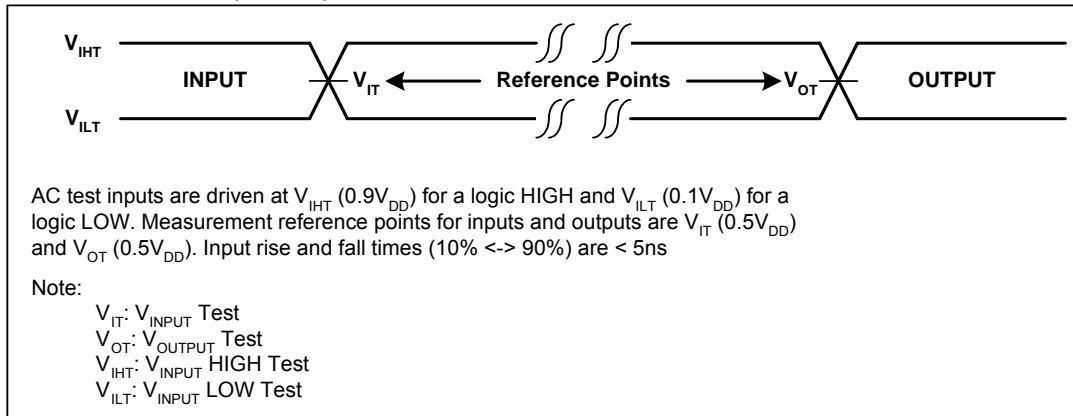
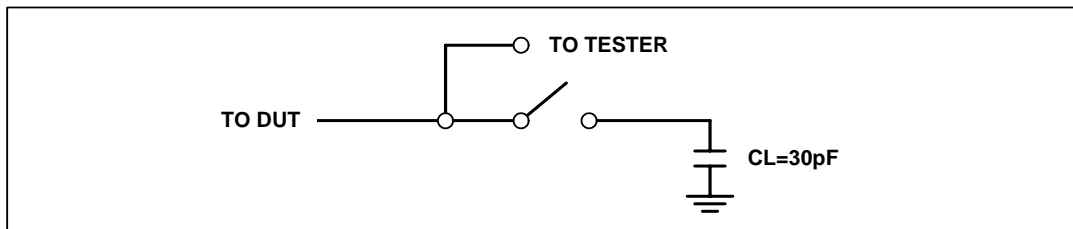
**Table 16: FWH Mode Interface Reset Timing Parameters,  $V_{DD}=3.0$ - $3.6V$** 

Symbol	Parameter	Min	Max	Units
<b>T<sub>PRST</sub></b>	$V_{DD}$ Stable to Reset Low	1		ms
<b>T<sub>KRST</sub></b>	Clock Stable to Reset Low	100		$\mu$ s
<b>T<sub>RSTP</sub></b>	RST# Pulse Width	100		ns
<b>T<sub>RSTF</sub></b>	RST# Low to Output Float		48	ns
<b>T<sub>RST</sub><sup>(1)</sup></b>	RST# High to FWH4 Low	1		$\mu$ s
<b>T<sub>RSTE</sub></b>	RST# Low to Reset During Erase or Program		10	$\mu$ s
	RST# or INIT# Slew Rate	50		mV/ns

Notes:

- There will be a latency of  $T_{RSTE}$  if a reset procedure is performed during a Program or Erase operation.

**Figure 7: Reset Timing Diagram**


**Figure 8: A/A Mux Mode AC Input/Output Reference Waveforms**

**Figure 9: A/A Mux Mode Test Load Condition**


**A/A MUX MODE AC CHARACTERISTICS**

 Table 17: Read Cycle Timing Parameters  $V_{DD}=3.0-3.6V$ 

Symbol	Parameter	Min	Max	Units
$T_{RC}$	Read Cycle Time	270		ns
$T_{RST}$	RST# High to Row Address Setup	1		$\mu$ s
$T_{AS}$	R/C# Address Set-up Time	45		ns
$T_{AH}$	R/C# Address Hold Time	45		ns
$T_{AA}$	Address Access Time		120	ns
$T_{OE}$	Output Enable Access Time		60	ns
$T_{OLZ}$	OE# Low to Active Output	0		ns
$T_{OHZ}$	OE# High to High-Z Output		35	ns
$T_{OH}$	Output Hold from Address Change	0		ns

 Table 18: Program/Erase Cycle Timing Parameters,  $V_{DD}=3.0-3.6V$ 

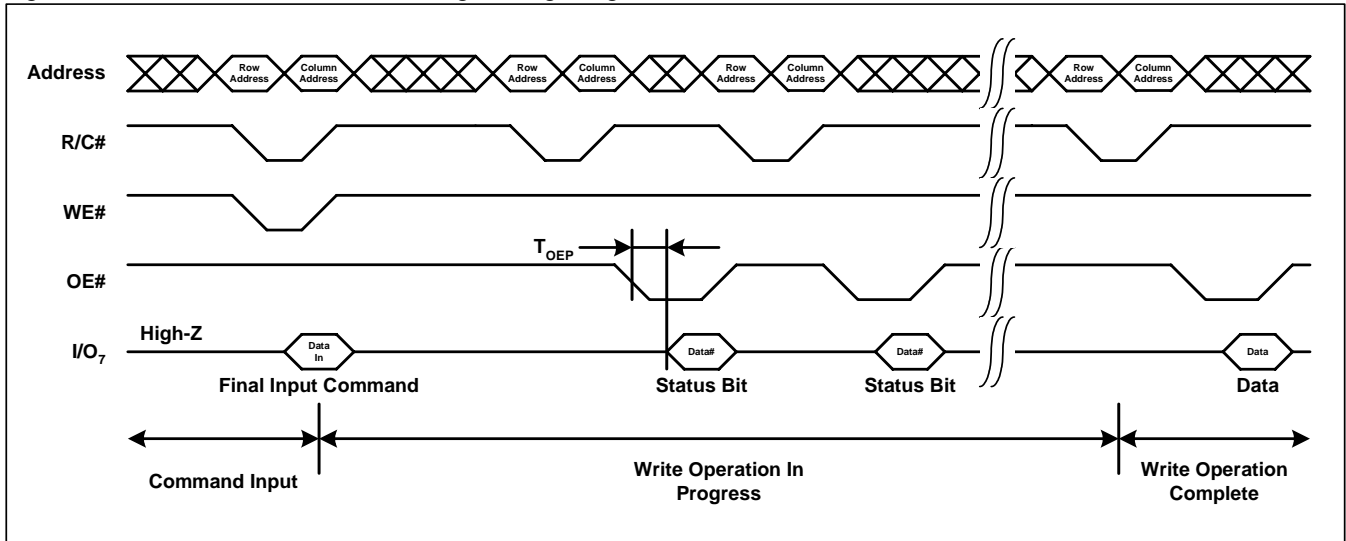
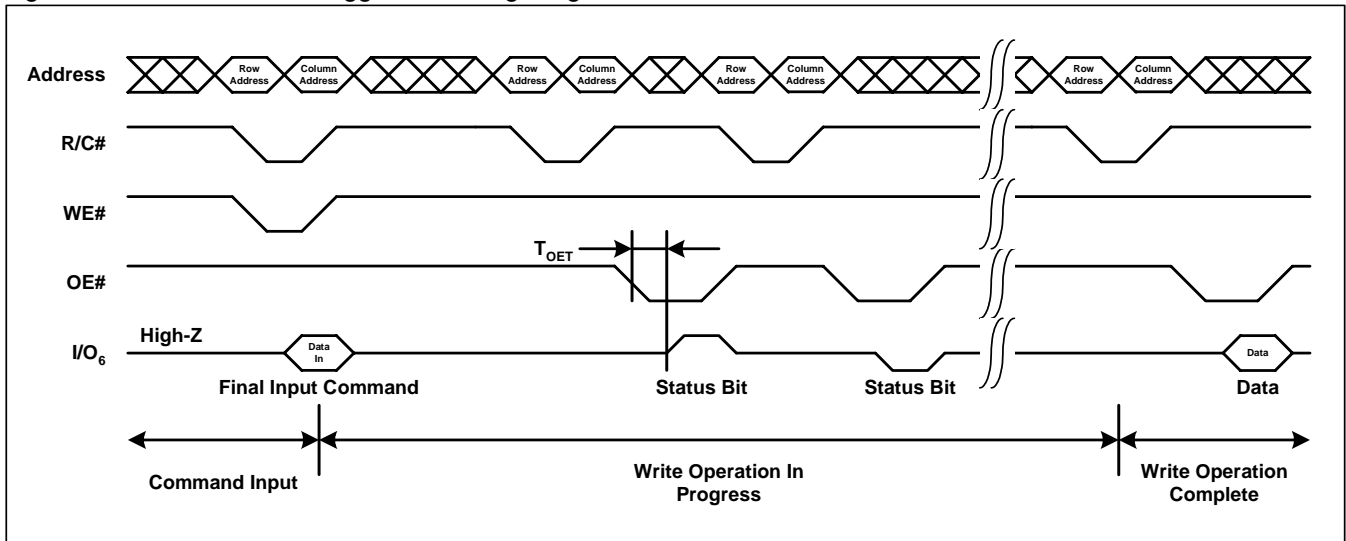
Symbol	Parameter	Min	Max	Units
$T_{RST}$	RST# High to Row Address Setup	1		$\mu$ s
$T_{AS}$	R/C# Address Setup Time	50		ns
$T_{AH}$	R/C# Address Hold Time	50		ns
$T_{CWH}$	R/C# to Write Enable High Time	50		ns
$T_{OES}$	OE# High Setup Time	20		ns
$T_{OEH}$	OE# High Hold Time	20		ns
$T_{OEP}$	OE# to Data# Polling Delay		40	ns
$T_{OET}$	OE# to Toggle Bit Delay		40	ns
$T_{WP}$	WE# Pulse Width	100		ns
$T_{WPH}$	WE# Pulse Width High	100		ns
$T_{DS}$	Data Setup Time	50		ns
$T_{DH}$	Data Hold Time	5		ns
$T_{IDA}$	Product ID Access and Exit Time		150	ns
$T_{BP}$	Byte Programming Time		300	$\mu$ s
$T_{BE}$	Block Erase Time		8	s
$T_{SCE}$	Chip Erase Time		10	s

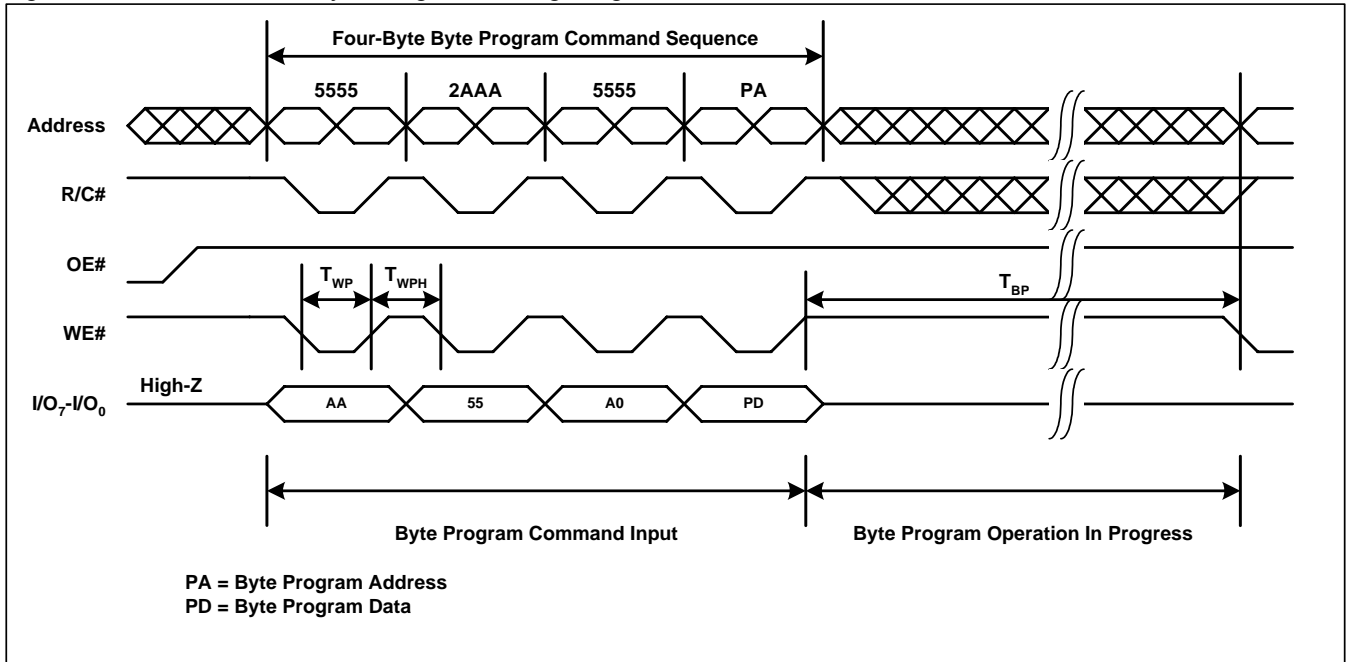
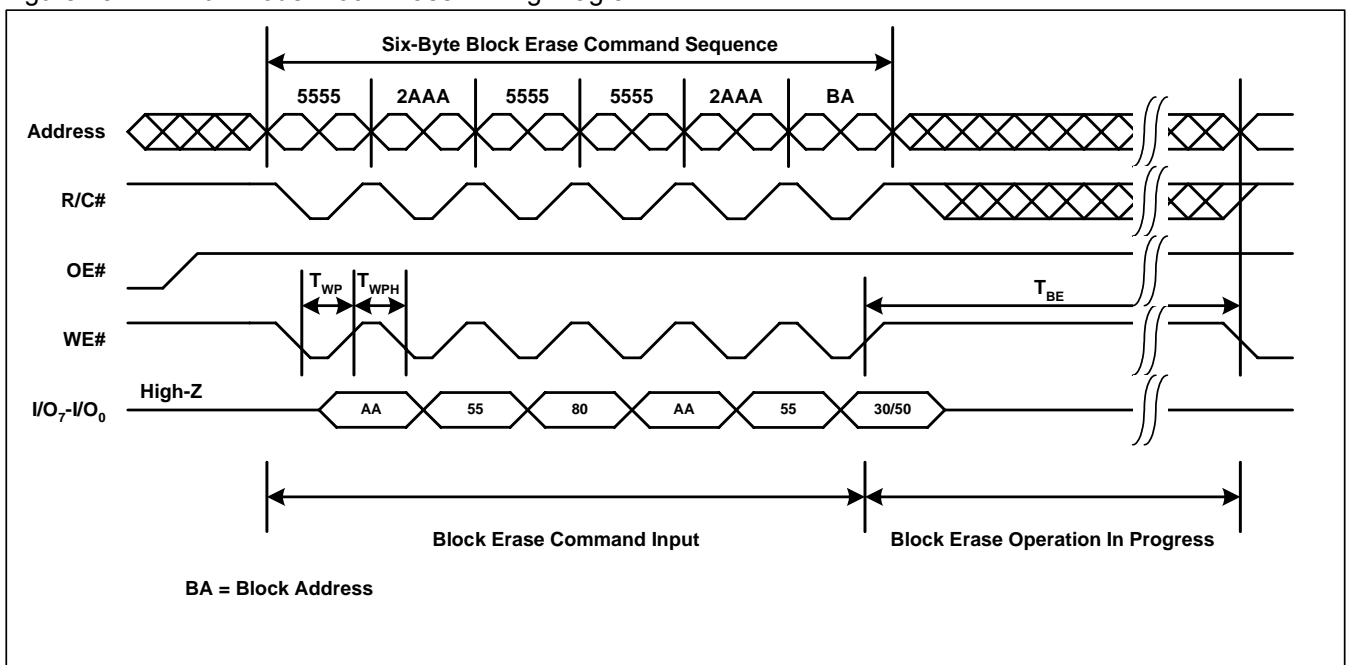
 Table 19: Reset Timing Parameters,  $V_{DD}=3.0-3.6V$ 

Symbol	Parameter	Min	Max	Units
$T_{PRST}$	$V_{DD}$ Stable to Reset Low	1		ms
$T_{RSTP}$	RST# Pulse Width	100		ns
$T_{RSTF}$	RST# Low to Output Float		48	ns
$T_{RST}^{(1)}$	RST# High to FWH4 Low	1		$\mu$ s
$T_{RSTE}$	RST# Low to Reset During Erase or Program		10	$\mu$ s

1. There will be a reset latency of TRSTE if a reset procedure is performed during a Program or Erase operation.



**Figure 12: A/A Mux Mode Data# Polling Timing Diagram**

**Figure 13: A/A Mux Mode Toggle Bit Timing Diagram**


**Figure 14: A/A Mux Mode Byte Program Timing Diagram**

**Figure 15: A/A Mux Mode Block Erase Timing Diagram**




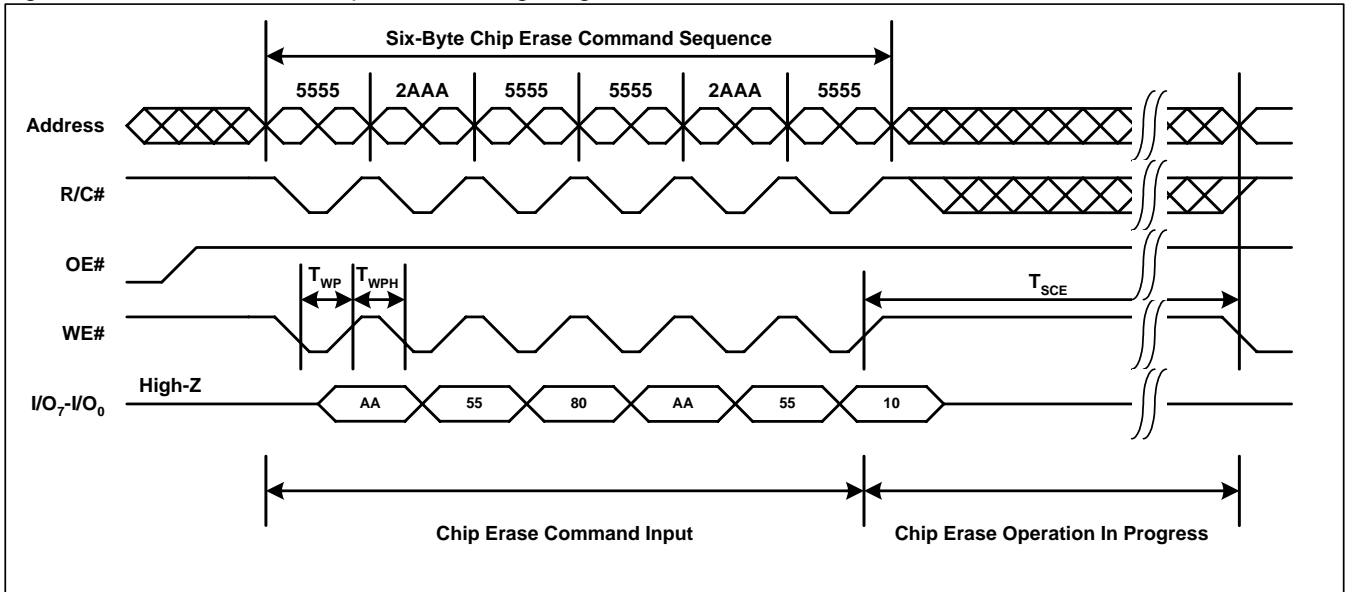
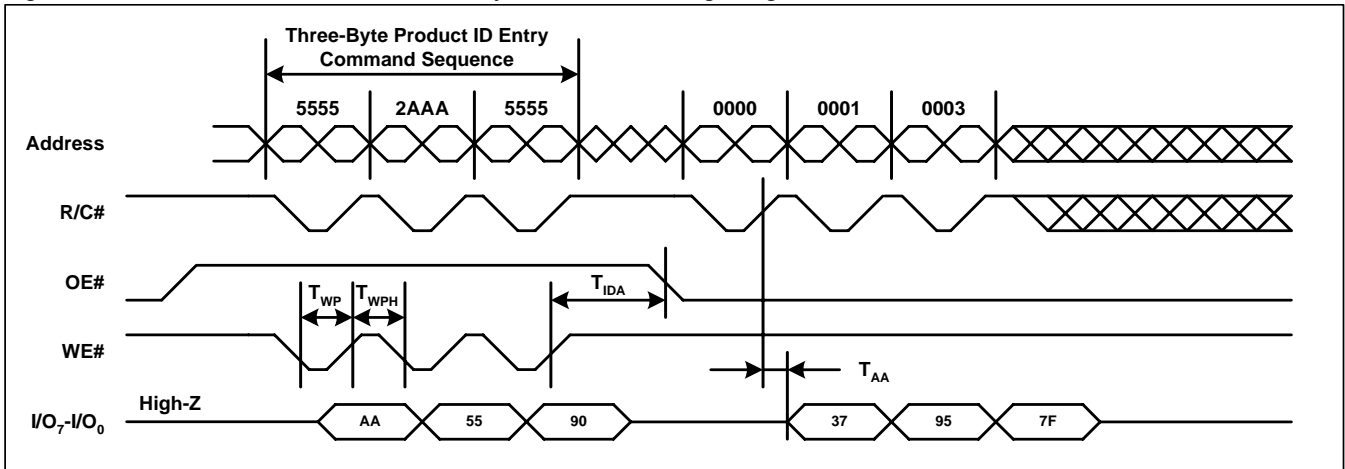
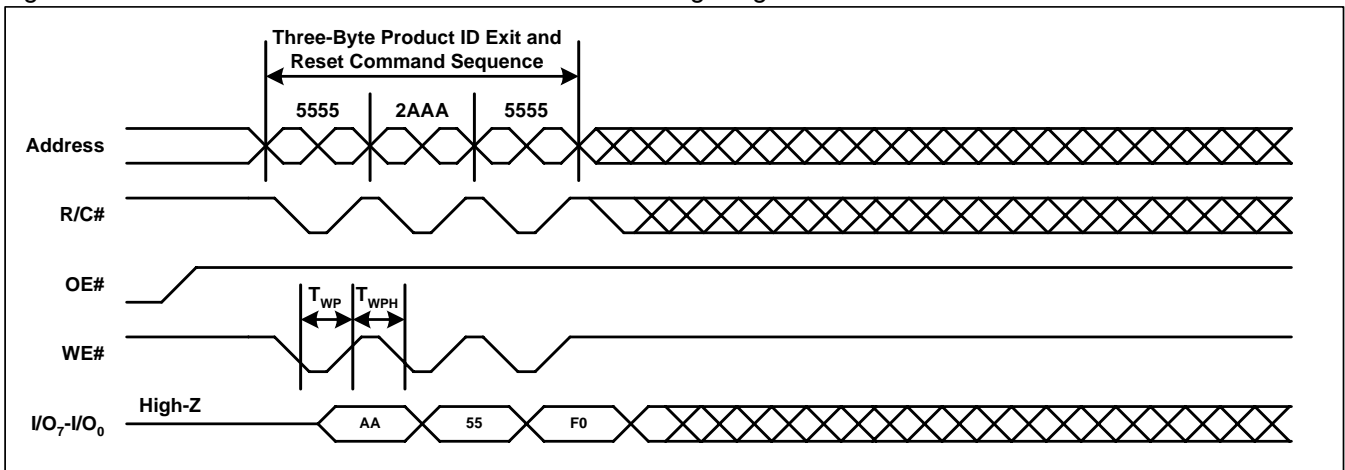
**Figure 16: A/A Mux Mode Chip Erase Timing Diagram**

**Figure 17: A/A Mux Mode Product ID Entry and Read Timing Diagram**

**Figure 18: A/A Mux Mode Product ID Exit and Reset Timing Diagram**


Figure 19: Automatic Byte Program Algorithm

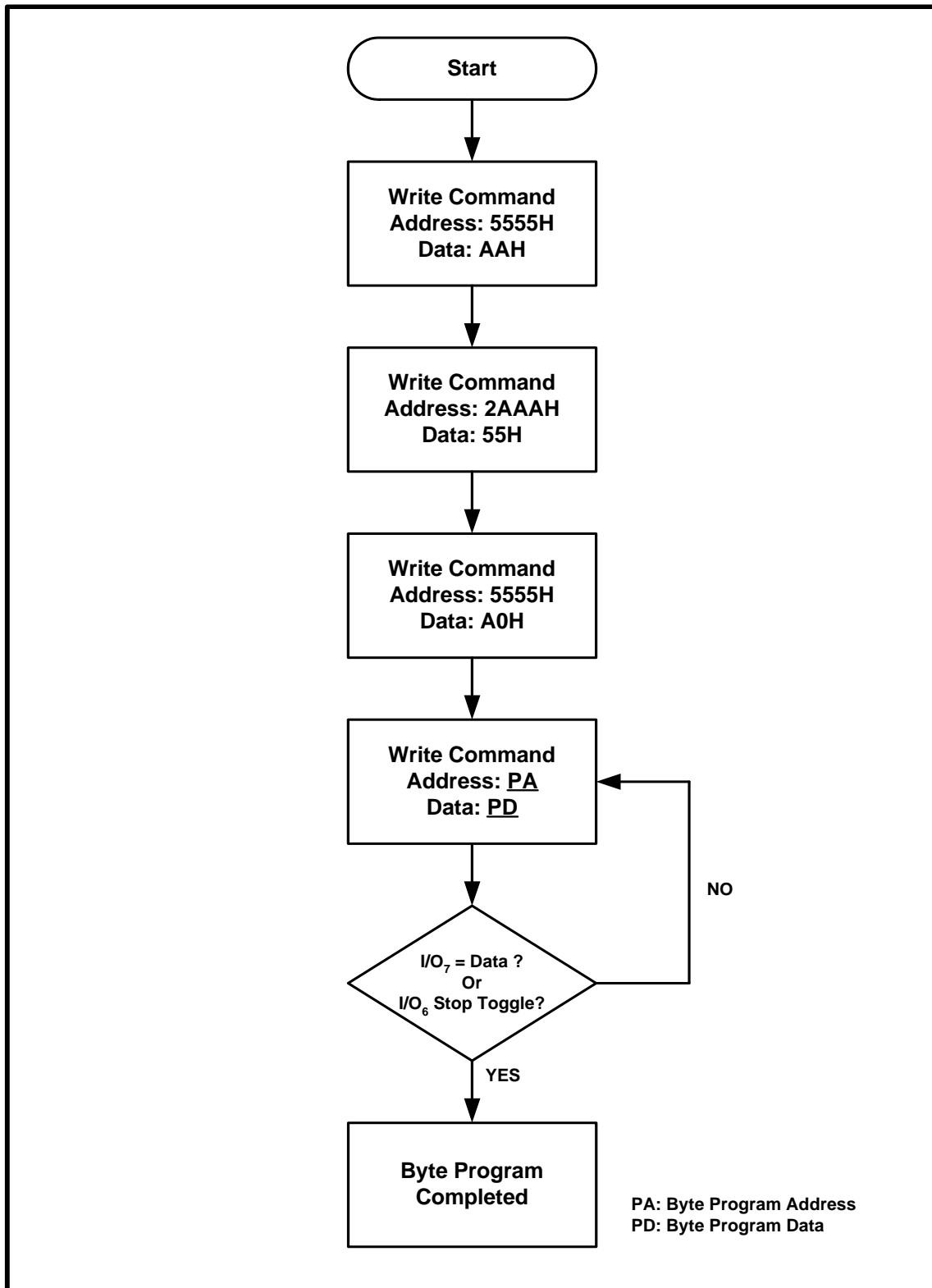


Figure 20: Automatic Block Erase Algorithm

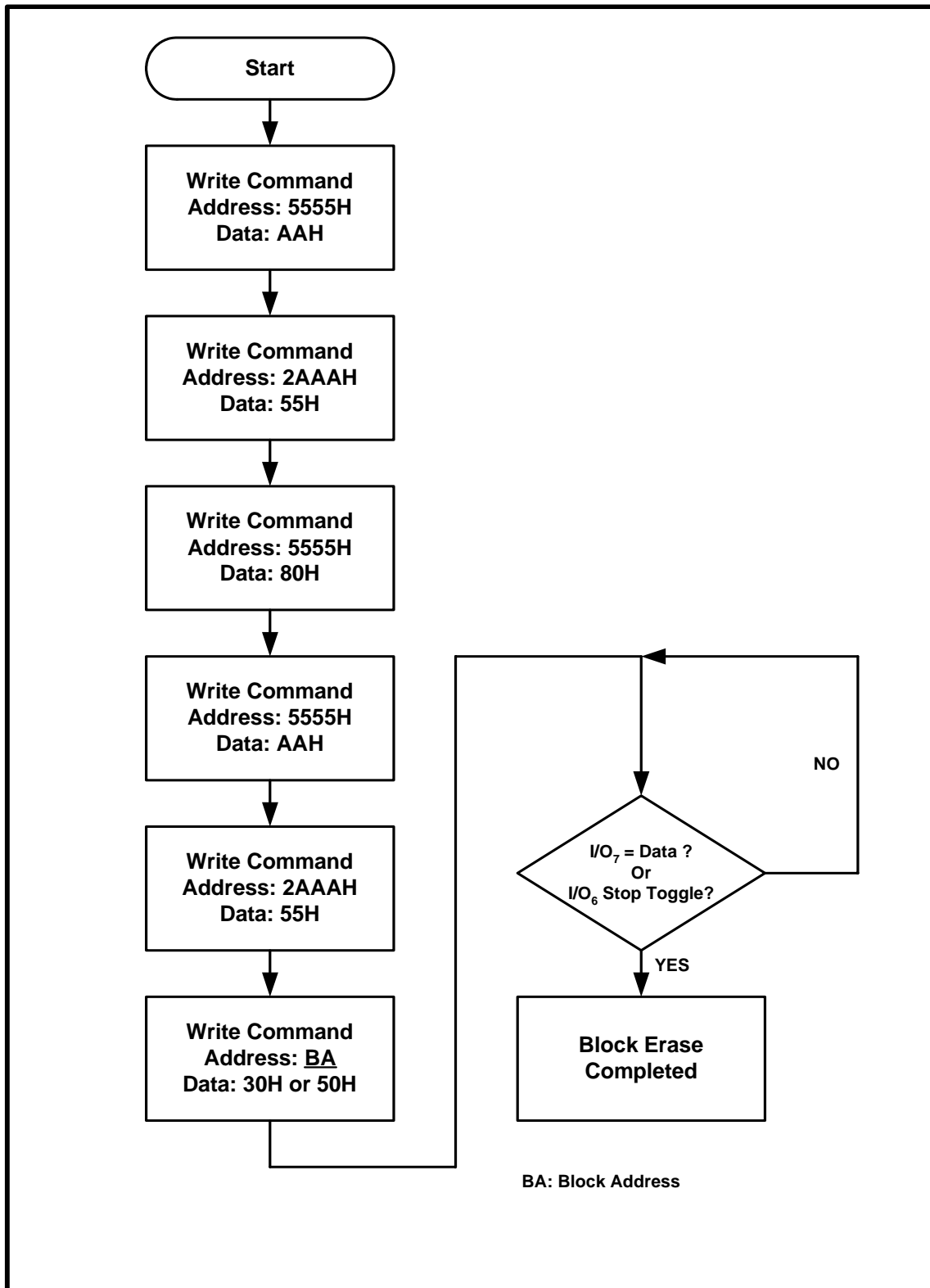


Figure 21: Automatic Chip Erase Algorithm

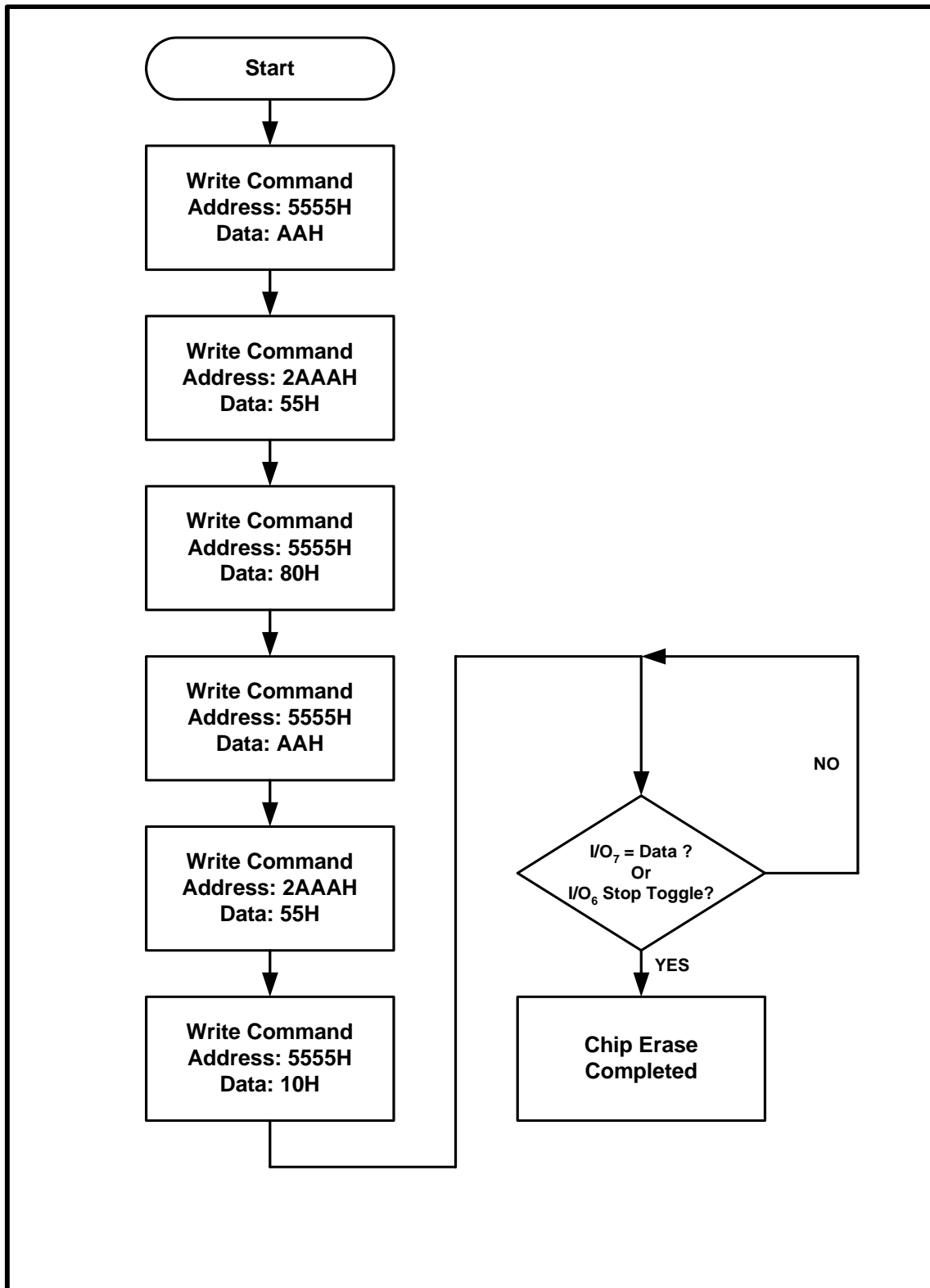
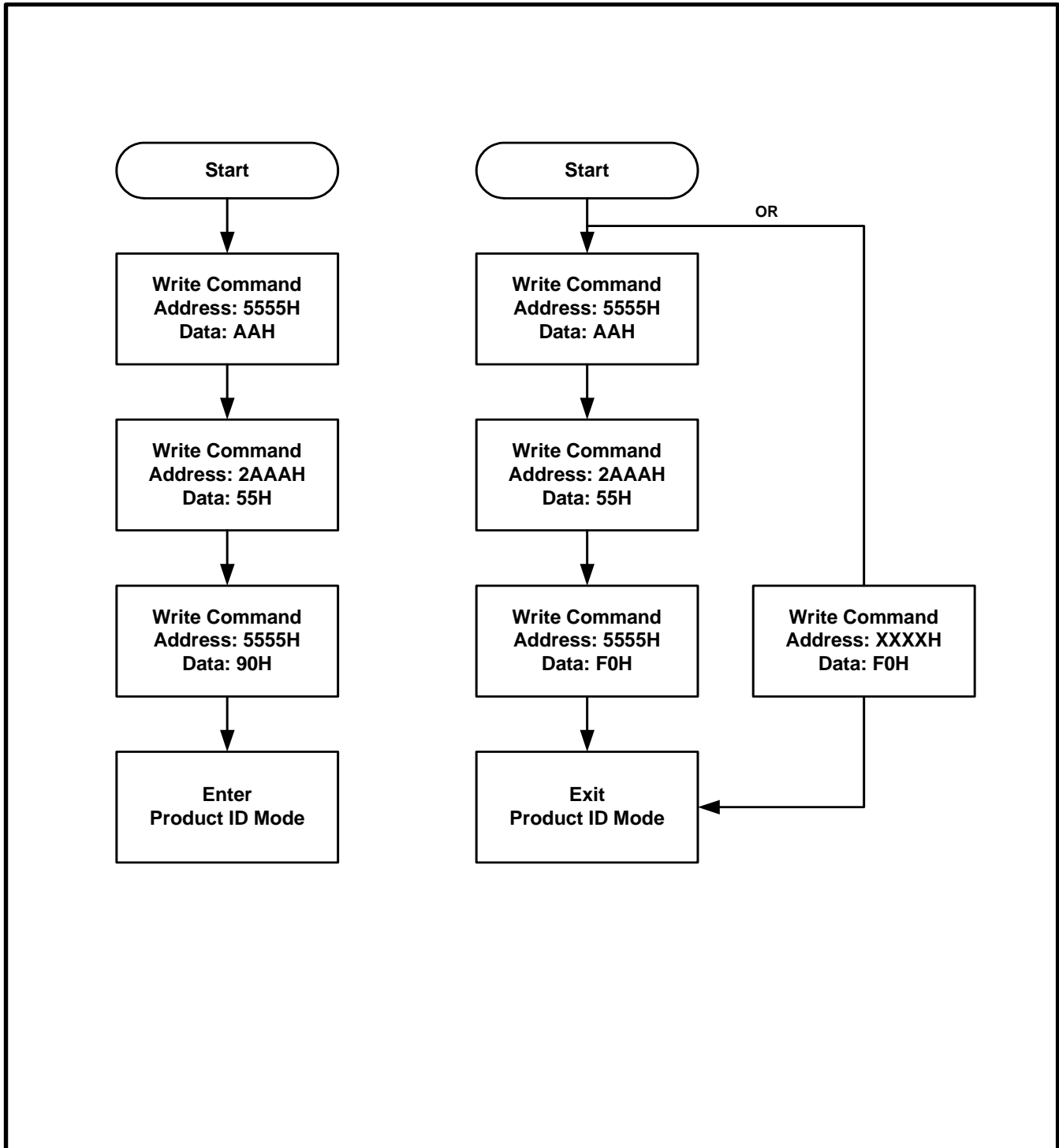
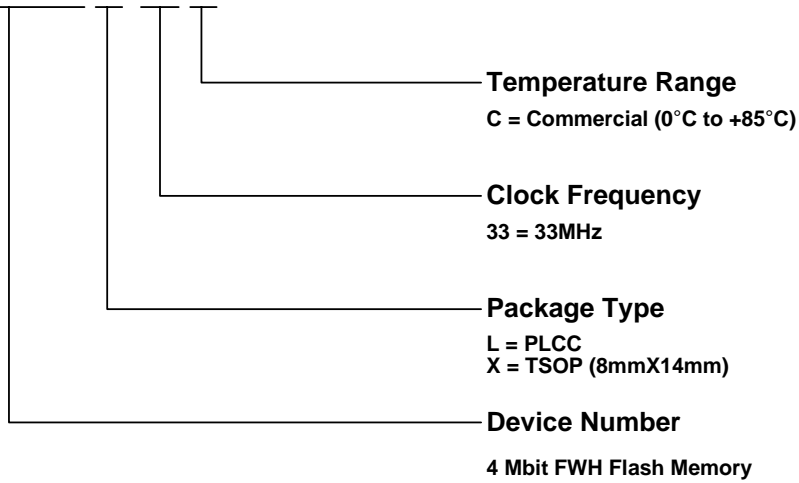


Figure 22: Product ID Command Flowchart

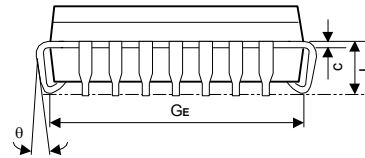
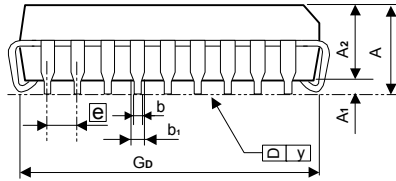
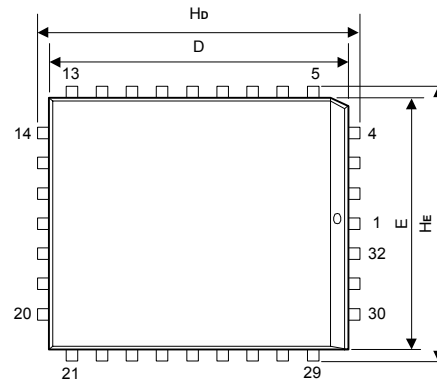


**Ordering Information**
**A49LF004T x - 33 C**


Part No.	Clock Frequency (MHz)	Boot Block Location	Temperature Range	Package Type
A49LF004TL-33	33	Top	0°C to +85°C	32-pin PLCC
A49LF004TX-33	33	Top	0°C to +85°C	32-pin TSOP (8mm X 14 mm)

**Package Information**
**PLCC 32L Outline Dimension**

unit: inches/mm



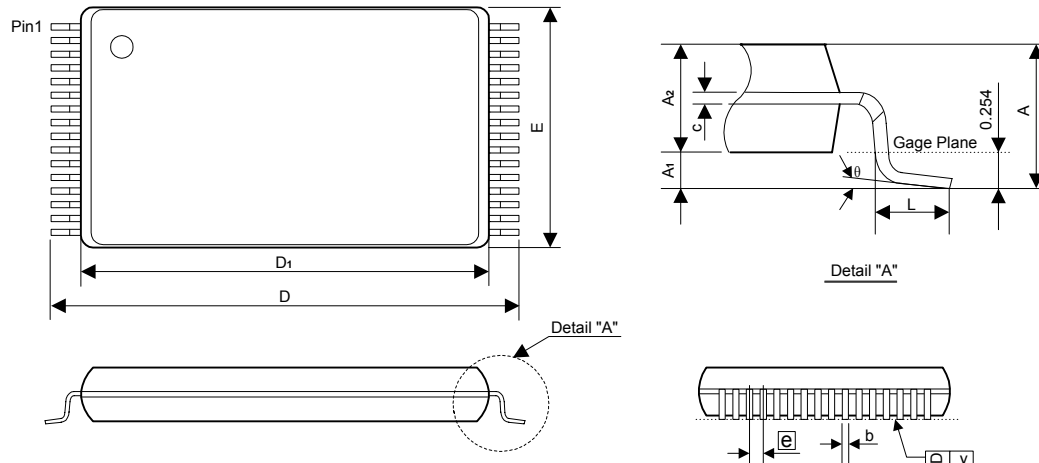
Symbol	Dimensions in inches			Dimensions in mm		
	Min	Nom	Max	Min	Nom	Max
A	-	-	0.134	-	-	3.40
A1	0.0185	-	-	0.47	-	-
A2	0.105	0.110	0.115	2.67	2.80	2.93
b <sub>1</sub>	0.026	0.028	0.032	0.66	0.71	0.81
b	0.016	0.018	0.021	0.41	0.46	0.54
C	0.008	0.010	0.014	0.20	0.254	0.35
D	0.547	0.550	0.553	13.89	13.97	14.05
E	0.447	0.450	0.453	11.35	11.43	11.51
$\square e$	0.044	0.050	0.056	1.12	1.27	1.42
G <sub>D</sub>	0.490	0.510	0.530	12.45	12.95	13.46
G <sub>E</sub>	0.390	0.410	0.430	9.91	10.41	10.92
H <sub>D</sub>	0.585	0.590	0.595	14.86	14.99	15.11
H <sub>E</sub>	0.485	0.490	0.495	12.32	12.45	12.57
L	0.075	0.090	0.095	1.91	2.29	2.41
y	-	-	0.003	-	-	0.075
$\theta$	0°	-	10°	0°	-	10°

**Notes:**

- Dimensions D and E do not include resin fins.
- Dimensions G<sub>D</sub> & G<sub>E</sub> are for PC Board surface mount pad pitch design reference only.

**Package Information**
**TSOP 32L TYPE I (8 X 14mm) Outline Dimensions**

unit: inches/mm



Symbol	Dimensions in inches			Dimensions in mm		
	Min	Nom	Max	Min	Nom	Max
A	-	-	0.047	-	-	1.20
A <sub>1</sub>	0.002	-	0.006	0.05	-	0.15
A <sub>2</sub>	0.037	0.039	0.041	0.95	1.00	1.05
b	0.0067	0.0087	0.0106	0.17	0.22	0.27
c	0.004	-	0.0083	0.10	-	0.21
E	0.311	0.315	0.319	7.90	8.00	8.10
e	-	0.0197	-	-	0.50	-
D	0.543	0.551	0.559	13.80	14.00	14.20
D <sub>1</sub>	0.484	0.488	0.492	12.30	12.40	12.50
L	0.020	0.024	0.028	0.50	0.60	0.70
y	0.000	-	0.003	0.00	-	0.076
$\theta$	0°	3°	5°	0°	3°	5°

**Notes:**

1. Dimension E does not include mold flash.
2. Dimension D<sub>1</sub> does not include interlead flash.
2. Dimension b does not include dambar protrusion.