

**PLEASE CHECK WWW.MOLEX.COM FOR LATEST PART INFORMATION**

**Part Number:** [0738090216](#)  
**Status:** **Active**  
**Overview:** [hdm](#)  
**Description:** 2.00mm (.079") Pitch HDM® Board-to-Board Midplane Header, Vertical, Press-Fit, Closed End, Guide Post A Location, H Polarization Key, 72 Circuits

**Documents:**

[Drawing \(PDF\)](#) [RoHS Certificate of Compliance \(PDF\)](#)

**Agency Certification**

CSA LR19980  
 UL E29179

**General**

Product Family Backplane Connectors  
 Series [73809](#)  
 Application Midplane  
 Component Type Shroud Housing  
 Overview [hdm](#)  
 Product Name HDM®  
 Style N/A

**Physical**

Circuits (Loaded) 72  
 Circuits (maximum) 72  
 Color - Resin Black  
 Durability (mating cycles max) 250  
 First Mate / Last Break No  
 Flammability 94V-0  
 Guide to Mating Part Yes  
 Keying to Mating Part Yes  
 Material - Metal Stainless Steel  
 Material - Resin High Temperature Thermoplastic  
 Number of Columns 12  
 Number of Pairs Open Pin Field  
 Number of Rows 6  
 Orientation Vertical  
 PCB Retention None  
 Packaging Type Tube  
 Pitch - Mating Interface (in) 0.079 In  
 Pitch - Mating Interface (mm) 2.00 mm  
 Stackable Yes  
 Surface Mount Compatible (SMC) Yes  
 Temperature Range - Operating -55°C to +105°C

**Electrical**

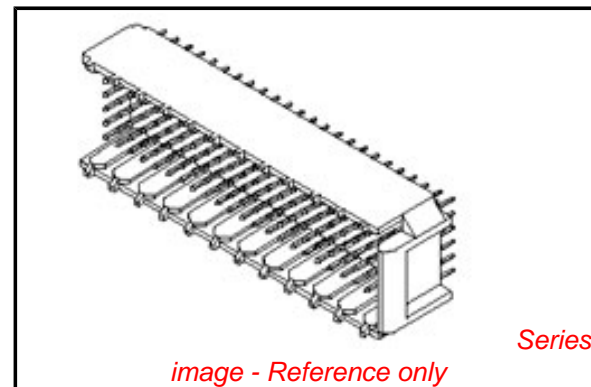
Current - Maximum per Contact 1A  
 Data Rate 1.0 Gbps  
 Real Signals (per 25mm) 72  
 Voltage - Maximum 250V AC

**Material Info**

**Reference - Drawing Numbers**

Packaging Specification PK-70873-0818  
 Sales Drawing SD-73809-001

HDM and High Density Metric are trademarks of Amphenol Corporation



*image - Reference only*

**EU RoHS** **China RoHS**

**Compliance Status**

**Not Reviewed**

**REACH SVHC**

**Not Reviewed**

**Halogen-Free**

**Status**

**Not Reviewed**

**Need more information on product environmental compliance?**

Email [productcompliance@molex.com](mailto:productcompliance@molex.com)  
 For a multiple part number RoHS Certificate of Compliance, [click here](#)

Please visit the [Contact Us](#) section for any non-product compliance questions.

**Search Parts in this Series**

[73809Series](#)

**Mates With**

[73632](#) HDM PLUS® Board-to-Board Daughtercard Receptacle. [73780](#) HDM® Board-to-Board Daughtercard Receptacle

This document was generated on 05/14/2010

**PLEASE CHECK [WWW.MOLEX.COM](http://WWW.MOLEX.COM) FOR LATEST PART INFORMATION**

**NOTES:**

- HOUSING MATERIALS: LIQUID CRYSTAL POLYMER (LCP), GLASS-FILLED, UL94V-0, COLOR: BLACK.
- THIS PART CONFORMS TO MOLEX PRODUCT SPECIFICATION PS-73670-9999.
- SEE DRAWINGS SD-73800-001, SD-73801-001, AND SD-73802-001 FOR DIMENSIONAL INFORMATION.
- PARTS MARKED WITH PART NUMBER AND DATE CODE, ON EITHER SIDE, APPROXIMATELY WHERE SHOWN.
- PARTS PACKAGED PER PK-70873-0818.



REVISED EC NO: UCP2003-2260 DRWN: THOMAS 03/04/25 CHK: BINGHAM 03/04/25 APPR: REED 03/04/25	DESCRIPTION MAJOR CRITICAL	GENERAL TOLERANCES: (UNLESS SPECIFIED) mm    INCH		SCALE 2 : 1	DESIGN UNITS <input checked="" type="checkbox"/> mm <input type="checkbox"/> INCH	THIRD ANGLE PROJECTION <input checked="" type="checkbox"/> THIRD ANGLE <input type="checkbox"/> FIRST ANGLE	DIMENSIONS: <input type="checkbox"/> mm <input type="checkbox"/> INCH <input checked="" type="checkbox"/> mm ONLY		SHT    REV 2      B 1      D		
		DRAWN BY & DATE JBINGHAM 97/06/19		CHECKED BY & DATE SREED 97/06/19		TITLE: SALES ASSEMBLY, HDM DOUBLE-END MIDPLANE, 72 POS. SLIDE-ON HOUSING					
		APPROVED BY & DATE CBIXLER 97/06/19		CAD FILENAME S73809X1.DGN		MATERIAL NO. SEE CHART		DRAWING NO. SD-73809-001		SHEET NO. 1 OF 2	
		DRAFT WHERE APPLICABLE MUST REMAIN WITHIN DIMENSIONS		THIS DRAWING CONTAINS INFORMATION THAT IS PROPRIETARY TO MOLEX INCORPORATED AND SHOULD NOT BE USED WITHOUT WRITTEN PERMISSION.					SIZE B		

# MATERIAL NUMBER ASSIGNMENT

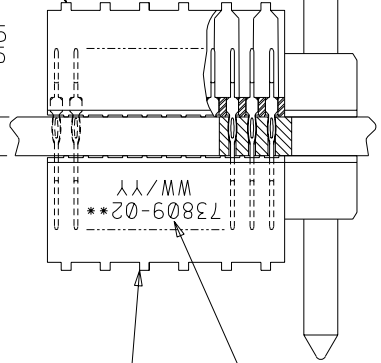
73809- \* \* \* \*

0 = 72-CIRCUIT  
 0 = OPEN END VERSION  
 1 = CLOSED END VERSION  
 2 = POLAR/GUIDE VERSION

73800-0X00,  
 73801-0X00,  
 OR 73802-0XXX  
 MIDPLANE MODULE



±0.45  
 3.95



SLIDE HOUSING OVER  
 TAILS OF MIDPLANE MODULE

73809-02XX  
 POLAR/GUIDE HOUSING

SEE NOTE 5

NUMBER	GUIDE POST LOCATION	POLAR KEY POSITION
00	N/A	N/A
01	B	A
02	A	A
03	B	B
04	A	B
05	B	C
06	A	C
07	B	D
08	A	D
09	B	E
10	A	E
11	B	F
12	A	F
13	B	G
14	A	G
15	B	H
16	A	H
17	B	N/A
18	A	N/A

SEE SHEET 1  
 EC NO. UDT2000-0443  
 DRWN: JBINGHAM 99/11/04  
 CHK: SREED 99/11/04  
 APPR: CBIXLER 99/11/04

MAJOR  
 CRITICAL

REV  
 B

QUALITY SYMBOLS

GENERAL TOLERANCES:  
 (UNLESS SPECIFIED)

	mm	INCH
4 PLACES	±0.	±.
3 PLACES	±0.	±.
2 PLACES	±0.05	±.
1 PLACE	±0.10	±.

ANGULAR: ± 1/2°

DRAFT WHERE APPLICABLE MUST  
 REMAIN WITHIN DIMENSIONS

SCALE 2 : 1

DESIGN UNITS  
 mm  INCH

THIRD ANGLE PROJECTION

DRAWN BY & DATE  
 JBINGHAM 97/06/19

CHECKED BY & DATE  
 SREED 97/06/19

APPROVED BY & DATE  
 CBIXLER 97/06/19

CAD FILENAME  
 S73809X2.DGN

THIS DRAWING CONTAINS INFORMATION THAT IS PROPRIETARY TO MOLEX INCORPORATED AND SHOULD NOT BE USED WITHOUT WRITTEN PERMISSION.

DIMENSIONS:  
 mm  INCH  mm ONLY

SHT 2 REV 2

TITLE: SALES ASSEMBLY, HDM  
 DOUBLE-END MIDPLANE, 72 POS.  
 SLIDE-ON HOUSING

MOLEX INCORPORATED

MATERIAL NO. SEE CHART  
 DRAWING NO. SD-73809-001  
 SHEET NO. 2  
 SIZE B