

PLEASE CHECK WWW.MOLEX.COM FOR LATEST PART INFORMATION

Part Number: **0346909203**
Status: **Active**
Overview: stac64 single multipocket and hybrid header system
Description: 2.54mm (.100") Pitch Stac64™ Vertical Header, 20 Circuits, Polarization D, Green, Tube

Documents:

[3D Model](#) [Application Specification \(PDF\)](#)
[Drawing \(PDF\)](#) [RoHS Certificate of Compliance \(PDF\)](#)

General

Product Family	PCB Headers
Series	<u>34690</u>
Application	Wire-to-Board
Comments	Polarization D
Overview	<u>stac64 single multipocket and hybrid header system</u>
Product Name	Stac64™

Physical

Breakaway	No
Circuits (Loaded)	20
Circuits (maximum)	20
Color - Resin	Green
Durability (mating cycles max)	10
First Mate / Last Break	No
Glow-Wire Compliant	No
Guide to Mating Part	No
Keying to Mating Part	None
Lock to Mating Part	Yes
Material - Metal	Brass
Material - Plating Mating	Tin
Material - Plating Termination	Tin
Material - Resin	High Temperature Thermoplastic
Number of Rows	2
Orientation	Vertical
PC Tail Length (in)	0.131 In
PC Tail Length (mm)	3.33 mm
PCB Locator	Yes
PCB Retention	None
PCB Thickness Recommended (in)	0.062 In
PCB Thickness Recommended (mm)	1.57 mm
Packaging Type	Tube
Pitch - Mating Interface (in)	0.100 In
Pitch - Mating Interface (mm)	2.54 mm
Pitch - Term. Interface (in)	0.100 In
Pitch - Term. Interface (mm)	2.54 mm
Polarized to Mating Part	Yes
Polarized to PCB	Yes
Robotic Placement	None
Shrouded	Yes
Stackable	No
Surface Mount Compatible (SMC)	N/A
Temperature Range - Operating	-40°C to +100°C
Termination Interface: Style	Through Hole

Electrical

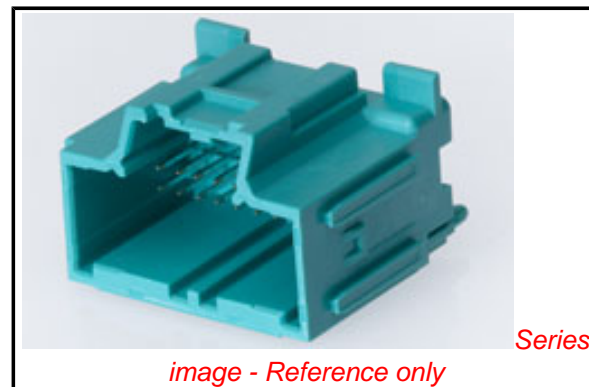


image - Reference only

EU RoHS

ELV and RoHS Compliant
REACH SVHC Contains SVHC: No
Halogen-Free Status

China RoHS



Need more information on product environmental compliance?

Email productcompliance@molex.com
 For a multiple part number RoHS Certificate of Compliance, [click here](#)

Please visit the [Contact Us](#) section for any non-product compliance questions.

Search Parts in this Series

[34690Series](#)

Mates With

[31408](#) USCAR 2.54mm (.100") Pitch Receptacle, [31372](#) 5.25mm (.206") Pitch Hybrid Receptical Assembly

Current - Maximum per Contact	30A
Voltage - Maximum	500V

Solder Process Data

Duration at Max. Process Temperature (seconds)	40
Lead-free Process Capability	SMC & Wave Capable (TH only)
Max. Cycles at Max. Process Temperature	3
Process Temperature max. C	260

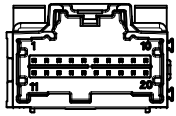
Material Info

Reference - Drawing Numbers

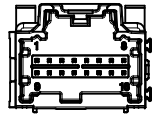
Application Specification	AS-34690-000
Packaging Specification	PK-31301-063
Sales Drawing	SD-34690-100

This document was generated on 05/24/2010

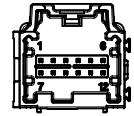
PLEASE CHECK WWW.MOLEX.COM FOR LATEST PART INFORMATION



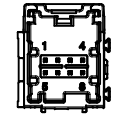
20 CIRCUIT
VERTICAL HEADER



16 CIRCUIT
VERTICAL HEADER



12 CIRCUIT
VERTICAL HEADER



8 CIRCUIT
VERTICAL HEADER

(POLARIZATION OPTION 'A' SHOWN ON ABOVE HEADERS)

MATERIAL NUMBER		CKT SIZE	DESCRIPTION	POL	COLOR
TRAY PACKAGING PK-31300-892	TUBE PACKAGING PK-31301-063				
34690-0200	34690-9200	20	STAC64 VERTICAL HEADER ASSEMBLY	A	BLACK
34690-0201	34690-9201	20	STAC64 VERTICAL HEADER ASSEMBLY	B	GREY
34690-0202	34690-9202	20	STAC64 VERTICAL HEADER ASSEMBLY	C	BROWN
34690-0203	34690-9203	20	STAC64 VERTICAL HEADER ASSEMBLY	D	GREEN
34690-0160	34690-9160	16	STAC64 VERTICAL HEADER ASSEMBLY	A	BLACK
34690-0161	34690-9161	16	STAC64 VERTICAL HEADER ASSEMBLY	B	GREY
34690-0162	34690-9162	16	STAC64 VERTICAL HEADER ASSEMBLY	C	BROWN
34690-0120	34690-9120	12	STAC64 VERTICAL HEADER ASSEMBLY	A	BLACK
34690-0121	34690-9121	12	STAC64 VERTICAL HEADER ASSEMBLY	B	GREY
34690-0122	34690-9122	12	STAC64 VERTICAL HEADER ASSEMBLY	C	BROWN
34690-0080	34690-9080	8	STAC64 VERTICAL HEADER ASSEMBLY	A	BLACK
34690-0081	34690-9081	8	STAC64 VERTICAL HEADER ASSEMBLY	B	GREY
34690-0082	34690-9082	8	STAC64 VERTICAL HEADER ASSEMBLY	C	BROWN

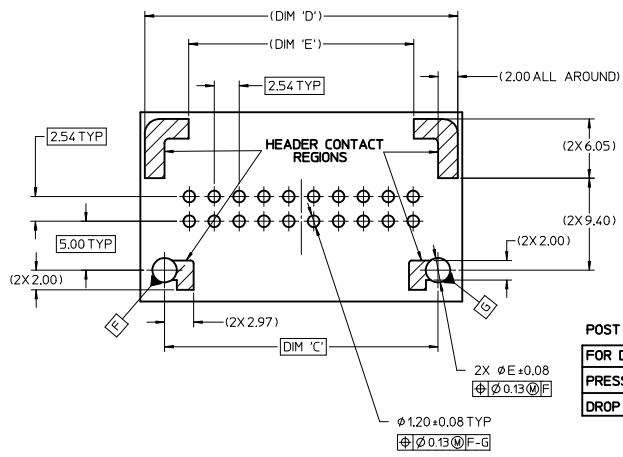
NOTES: VALID UNLESS OTHERWISE SPECIFIED
1. GENERAL:

- a. CONNECTOR HEADER MUST BE VALIDATED TO THE FOLLOWING FUNCTIONAL REQUIREMENTS:
POLARIZATION FEATURE EFFECTIVENESS - SEE PRODUCT SPECIFICATION
PIN RETENTION - USCAR-2 REV 4
SOLDERABILITY - SMES-152
- b. APPLICATION REQUIREMENTS (REFERENCE ONLY) FOR:
SEE APPLICATION SPECIFICATION - AS-34690-000
SEE PRODUCT SPECIFICATION - PS-31408-100
- c. PACKAGING SPECIFICATION: SEE CHART
- 2. DESIGN: MATERIALS:
a. SHROUD (PLASTIC HOUSING):
RESIN - SPS 30%GF - 20% REGRIND MAX. BY WEIGHT
- b. 0.64MM PINS:
BASE MATERIAL: C26000
PLATING TYPE: AS NOTED
- c. PIN ALIGNMENT PLATE: MYLAR
- 3. PLATING REQUIREMENTS:
a. UNDERPLATING - OVERALL NICKEL
b. OVERPLATING - OVERALL TIN

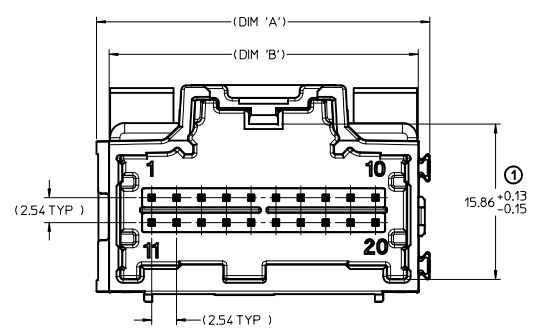
UPDATED DIMENSIONS DEC NO: UAU2010-1718 DRAWN: DINAJ CHYKOCILLON 04/18/07 APPR: SMARCEAU 2010/05/05	QUALITY SYMBOLS	GENERAL TOLERANCES (UNLESS SPECIFIED)	DIMENSION STYLE	SCALE	DESIGN UNITS	THIRD ANGLE PROJECTION	
	$\nabla=0$ $\nabla=0$	mm INCH 4 PLACES ±--- ±--- 3 PLACES ±--- ±--- 2 PLACES ±0.13 ±--- 1 PLACE ±0.25 ±--- ANGULAR ± 3°	MM ONLY	2:1	METRIC		
	DRAWN BY: MBAILEY DATE: 10/02/06 CHECKED BY: DATE: CDILLON 04/18/07 APPROVED BY: DATE: SMARCEAU 2010/05/04	TITLE: STAC64 SINGLE BAY VERTICAL ASSEMBLY SALES DRAWING		MOLEX INCORPORATED		SHEET NO. 1 OF 2	
	DRAFT WHERE APPLICABLE MUST REMAIN WITHIN DIMENSIONS		SEE CHART		DOCUMENT NO. SD-34690-100		THIS DRAWING CONTAINS INFORMATION THAT IS PROPRIETARY TO MOLEX INCORPORATED AND SHOULD NOT BE USED WITHOUT WRITTEN PERMISSION

CKT SIZE	DIM 'A'	DIM 'B'	DIM 'C'	DIM 'D'	DIM 'E'
20	34.04	31.57	27.94	31.97	23.00
16	28.96	26.49	22.86	26.89	17.92
12	23.88	21.41	17.78	21.81	12.84
8	18.80	16.53	12.70	16.73	7.76

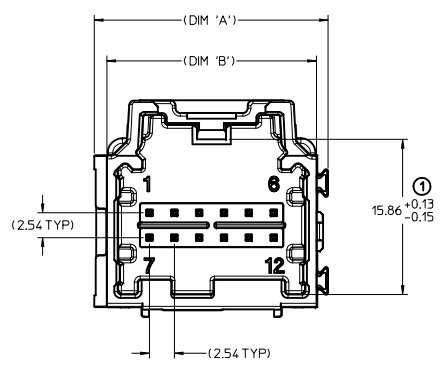
RECOMMENDED PCB LAYOUT



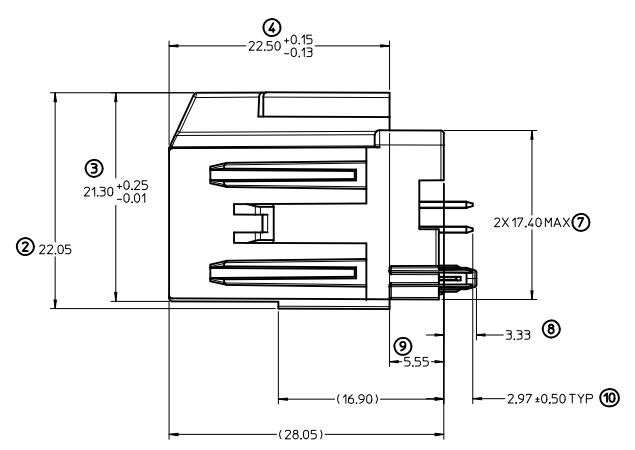
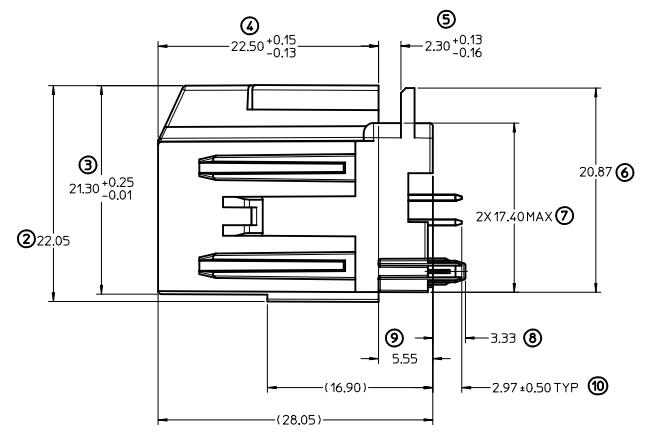
POST HOLE TABLE	
FOR DIM E:	
PRESS FIT	Ø2.60
DROP IN	Ø3.05



LAYOUT FOR 16 & 20 CKT. HEADERS
(20 CKT. OPTION 'A' SHOWN)



LAYOUT FOR 8 & 12 CKT. HEADERS
(12 CKT. OPTION 'A' SHOWN)



UPDATED DIMENSIONS EC NO. UAU2010-1718 DRAWN/DIM/J CHKD/CDILLON APPR./SMARCEAU	QUALITY SYMBOLS =0 =0	GENERAL TOLERANCES (UNLESS SPECIFIED)		DIMENSION STYLE MM ONLY		SCALE 4:1	DESIGN UNITS METRIC	THIRD ANGLE PROJECTION
		mm	INCH	DRAWN BY MBAILEY	DATE 10/02/06	TITLE STAC64 SINGLE BAY VERTICAL ASSEMBLY SALES DRAWING		
		4 PLACES	±---	±---				
		3 PLACES	±---	±---				
		2 PLACES	±0.13	±---				
		1 PLACE	±0.25	±---				
		ANGULAR ± 3°						
		DRAFT WHERE APPLICABLE MUST REMAIN WITHIN DIMENSIONS		MATERIAL NO. SEE CHART		DOCUMENT NO. SD-34690-100		SHEET NO. 2 OF 2
<p>THIS DRAWING CONTAINS INFORMATION THAT IS PROPRIETARY TO MOLEX INCORPORATED AND SHOULD NOT BE USED WITHOUT WRITTEN PERMISSION</p>								