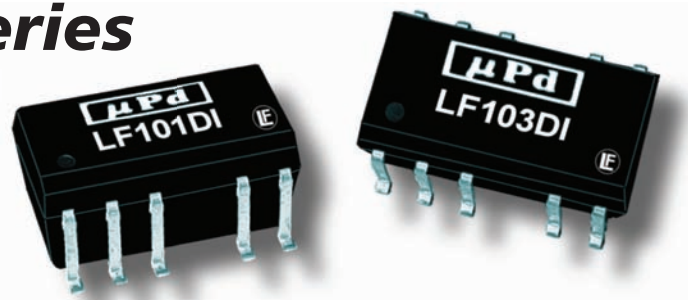


LF100DI Series

High Isolation, 1W Dual Output SMT DC/DC Converters

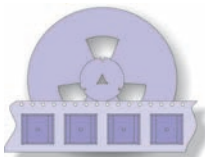


Key Features:

- 1W Output Power
- Ultra-Miniature SMT Case
- 3,000 VDC Isolation
- 5V, 12V & 24V Inputs
- -40°C to +85°C Operation
- 9 Standard Models
- 2.0 MH MTBF Minimum
- Industry Standard Pin-Out



RoHS Compliant



Tape/Reel Available

MicroPower Direct

292 Page Street
Suite D
Stoughton, MA 02072
USA

T: (781) 344-8226
F: (781) 344-8481
E: sales@micropowerdirect.com
W: www.micropowerdirect.com



Electrical Specifications

Specifications typical @ +25°C, nominal input voltage & rated output current, unless otherwise noted. Specifications subject to change without notice.

Input

Parameter	Conditions	Min.	Typ.	Max.	Units
Input Voltage Range	5 VDC Input	4.5	5.0	5.5	VDC
	12 VDC Input	10.8	12.0	13.2	
	24 VDC Input	21.6	24.0	26.4	
Reverse Polarity Input Current				0.3	A
Input Filter	Capacitor				

Output

Parameter	Conditions	Min.	Typ.	Max.	Units
Output Voltage Accuracy			±1.5	±4.0	%
Output Voltage Balance	Balanced Loads		±0.1	±1.0	%
Line Regulation	For Vin Change of 1%		±1.2	±1.5	%
Load Regulation (Note 1)	See Model Selection Guide				
Ripple & Noise (20 MHz) (Note 2)			75	100	mV P - P
Ripple & Noise (20 MHz)	Over Line, Load & Temp.			150	mV P - P
Ripple & Noise (20 MHz)				5	mv rms
Output Power Protection		120			%
Temperature Coefficient			±0.01	±0.02	%/°C
Output Short Circuit	Momentary (0.5 Sec.)				

General

Parameter	Conditions	Min.	Typ.	Max.	Units
Isolation Voltage	60 Seconds	3,000			VDC
Isolation Resistance	500 VDC	10			GΩ
Isolation Capacitance	100 kHz, 1V		60	100	pF
Switching Frequency		50	100	150	kHz

Environmental

Parameter	Conditions	Min.	Typ.	Max.	Units
Operating Temperature Range	Ambient	-40	+25	+85	°C
Operating Temperature Range	Case	-40		+90	°C
Storage Temperature Range		-40		+125	°C
Cooling	Free Air Convection				
Humidity	RH, Non-condensing			95	%

Physical

Case Size	0.60 x 0.31 x 0.26 Inches (15.24 x 8.0 x 6.7 mm)				
Case Material	Molded Black Plastic (UL94-V0)				
Weight	0.07 Oz (2.2g)				

Reliability Specifications

Parameter	Conditions	Min.	Typ.	Max.	Units
MTBF	MIL HDBK 217F, 25°C, Gnd Benign	2.0			MHours

Absolute Maximum Ratings

Parameter	Conditions	Min.	Typ.	Max.	Units
Input Voltage Surge (1 Sec)	5 VDC Input	-0.7		9.0	VDC
	12 VDC Input	-0.7		18.0	
	24 VDC Input	-0.7		30.0	
Lead Temperature	1.5 mm From Case For 10 Sec.			300	°C
Internal Power Dissipation	All Models			550	mW

Caution: Exceeding Absolute Maximum Ratings may damage the module. These are not continuous operating ratings.

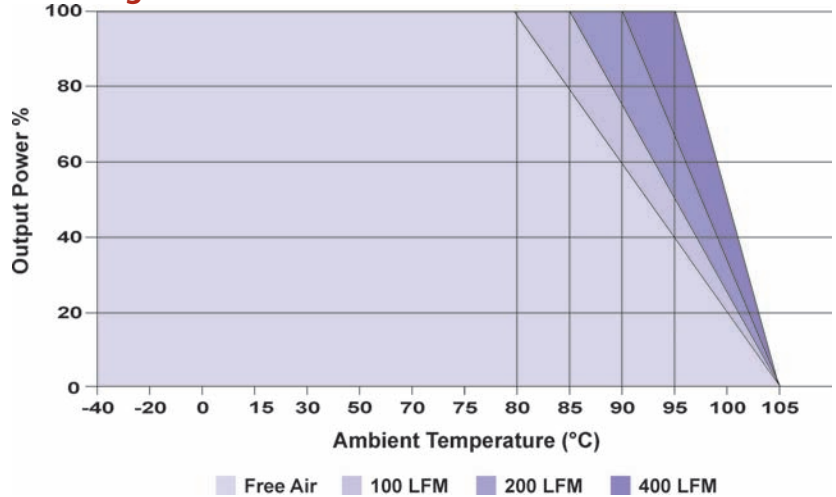
Model Selection Guide

Model Number	Input				Output			Load Regulation (% Max)	Efficiency (% Typ)	Fuse Rating Slow-Blow (mA)
	Voltage (VDC)		Current (mA)		Voltage (VDC)	Current (mA, Max)	Current (mA, Min)			
	Nominal	Range	Full-Load	No-Load						
LF101DI	5	4.5 - 5.5	277	30	±5.0	±100.0	±2.0	10	72	500
LF102DI	5	4.5 - 5.5	255	30	±12.0	±42.0	±0.8	7	78	500
LF103DI	5	4.5 - 5.5	258	30	±15.0	±34.0	±0.7	7	79	500
LF111DI	12	10.8 - 13.2	112	12	±5.0	±100.0	±2.0	8	74	200
LF112DI	12	10.8 - 13.2	105	12	±12.0	±42.0	±0.8	5	80	200
LF113DI	12	10.8 - 13.2	104	12	±15.0	±34.0	±0.7	5	81	200
LF121DI	24	21.6 - 26.4	57	7	±5.0	±100.0	±2.0	8	72	100
LF122DI	24	21.6 - 26.4	53	7	±12.0	±42.0	±0.8	5	79	100
LF123DI	24	21.6 - 26.4	53	7	±15.0	±34.0	±0.7	5	80	100

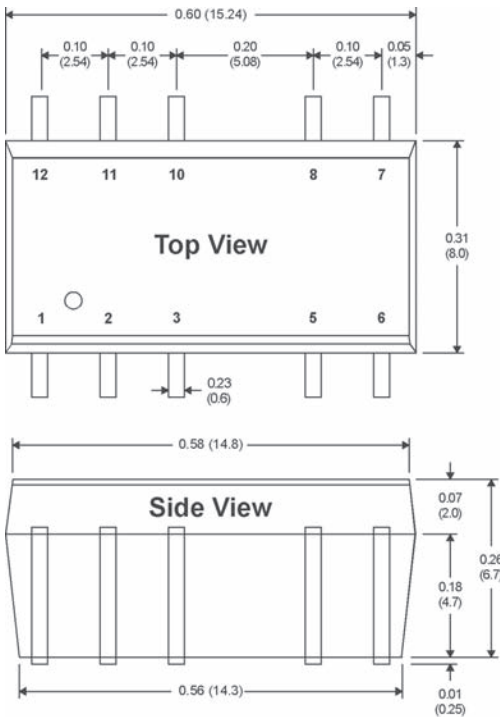
Notes:

- Load regulation is measured for an output change of 20% to 100%.
- When measuring output ripple, it is recommended that an external 0.33 μF ceramic capacitor be placed from the +Vout pin to the -Vout pin. For noise sensitive applications, the use of 0.47 μF capacitors will reduce the output ripple.
- Operation at no-load will not damage these units. However, they may not meet all specifications.
- The converter should be connected to a low ac-impedance source. An input source with a highly inductive impedance may affect the stability of the converter. In applications where the converter output loading is high and input power is supplied over long lines, it may be necessary to use a capacitor on the input to insure start-up. In this case, it is recommended that a low ESR (ESR < 1.0 Ω at 100 kHz) capacitor be mounted close to the converter. For 5V input units a 2.2 μF is recommended, for 12V input units, a 1.0 μF , and for 24V input units, a 0.47 μF .
- Dual output units may be connected to provide a 10 VDC, 24 VDC or 30 VDC output. To do this, connect the load across the positive (+Vout) and negative (-Vout) outputs and float the output common.
- It is recommended that a fuse be used on the input of a power supply for protection. See the table above for the correct rating.

Derating Curve



Mechanical Dimensions

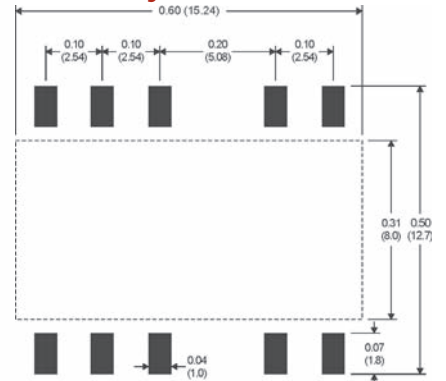


Pin Connections

Pin	Description	Pin	Description
1	-Vin	7	NA
2	+Vin	8	+Vout
3	NA	10	NA
5	Common	11	NA
6	-Vout	12	NA

NA = Not available for connection

Board Layout



Capacitive Load

±5V Out μF Max	±12 & ±15V Out μF Max
10	2.2

Notes:

- All dimensions are typical in inches (mm)
- Tolerance: Inches x.xx = ± 0.01
 Millimeters x.xx = ± 0.25
 x.xx = ± 0.13
 Pin: ± 0.002 (± 0.05)
- Pin 1 is marked by a "dot" or indentation on the unit. The curved edge of the case indicates the Pin 1 side.



MicroPower Direct
www.micropowerdirect.com