

**PLEASE CHECK WWW.MOLEX.COM FOR LATEST PART INFORMATION**

**Part Number:** [0761341002](#)  
**Status:** **Active**  
**Overview:** [vhdm](#)  
**Description:** VHDM® H-Series Board-to-Board Backplane Header, 2.00mm (.079") Pitch, Vertical, 8-Row, Open Signal Module, 80 Circuits, Advance Mate Shield, Pin Length 6.25mm (.246")

**Documents:**

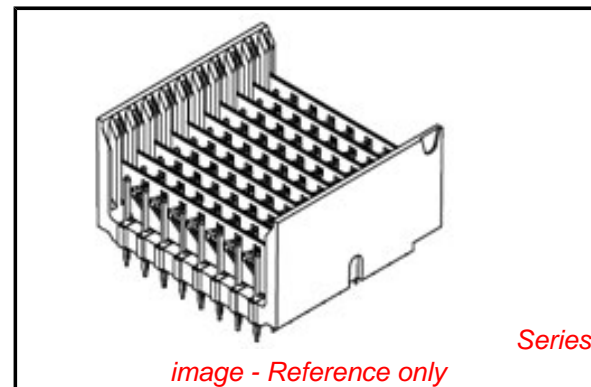
[Drawing \(PDF\)](#) [RoHS Certificate of Compliance \(PDF\)](#)  
[Product Specification PS-74031-999 \(PDF\)](#)

**General**

Product Family	Backplane Connectors
Series	76134
Application	Backplane
Comments	Open Header
Component Type	PCB Header
Overview	<a href="#">vhdm</a>
Product Name	VHDM®
Style	N/A

**Physical**

Circuits (Loaded)	80
Circuits (maximum)	80
Color - Resin	Black
Durability (mating cycles max)	200
First Mate / Last Break	No
Guide to Mating Part	No
Keying to Mating Part	None
Material - Metal	Beryllium Copper, High Performance Alloy (HPA)
Material - Plating Mating	Gold
Material - Plating Termination	Tin-Lead
Material - Resin	High Temperature Thermoplastic
Number of Columns	N/A
Number of Pairs	Open Pin Field
Number of Rows	8
Orientation	Vertical
PC Tail Length (in)	0.067 In
PC Tail Length (mm)	1.70 mm
PCB Locator	No
PCB Retention	None
PCB Thickness Recommended (in)	0.070 In
PCB Thickness Recommended (mm)	1.80 mm
Packaging Type	Tube
Pitch - Mating Interface (in)	0.079 In
Pitch - Mating Interface (mm)	2.00 mm
Pitch - Term. Interface (in)	0.039 In
Pitch - Term. Interface (mm)	1.00 mm
Plating min: Mating (µin)	30
Plating min: Mating (µm)	0.75
Plating min: Termination (µin)	30
Plating min: Termination (µm)	0.75
Polarized to PCB	Yes
Stackable	Yes
Surface Mount Compatible (SMC)	Yes
Temperature Range - Operating	-55°C to +105°C



**EU RoHS**

**RoHS Compliant by Exemption**  
**REACH SVHC**  
**Contains SVHC: No**  
**Halogen-Free**  
**Status**  
**Halogen-Free**

**China RoHS**



**Need more information on product environmental compliance?**

Email [productcompliance@molex.com](mailto:productcompliance@molex.com)  
 For a multiple part number RoHS Certificate of Compliance, [click here](#)

Please visit the [Contact Us](#) section for any non-product compliance questions.

**Search Parts in this Series**

76134Series

**Mates With**

76021 VHDM® Board-to-Board Daughtercard Receptacle

**Application Tooling | FAQ**

*Tooling specifications and manuals are found by selecting the products below. Crimp Height Specifications are then contained in the Application Tooling Specification document.*

**Global**

Description	Product #
VHDM® Signal Pin	<a href="#">0622015700</a>
Inserter Repair Tool	
VHDM® 8 Row Pin and Shield Repair Tool	<a href="#">0622015900</a>
VHDM® 8 Row Shield Extraction Tool	<a href="#">0622016100</a>

Termination Interface: Style

Through Hole - Compliant Pin

### Electrical

Current - Maximum per Contact

3A

Data Rate

2.5 Gbps

Shield Type

Ground Plane Shield

Shielded

Yes

Voltage - Maximum

30V AC (RMS)/DC

### Solder Process Data

Duration at Max. Process Temperature (seconds)

10

Lead-free Process Capability

SMC & Wave Capable (TH only)

Max. Cycles at Max. Process Temperature

1

Process Temperature max. C

260

### Material Info

#### Reference - Drawing Numbers

Packaging Specification

PK-74060-003

Product Specification

PS-74031-999

Sales Drawing

SD-76134-001

VHDM and Very High Density Metric are trademarks of Amphenol Corporation

VHDM® Insertion 0622020209

Module for Standard

Shield Signal

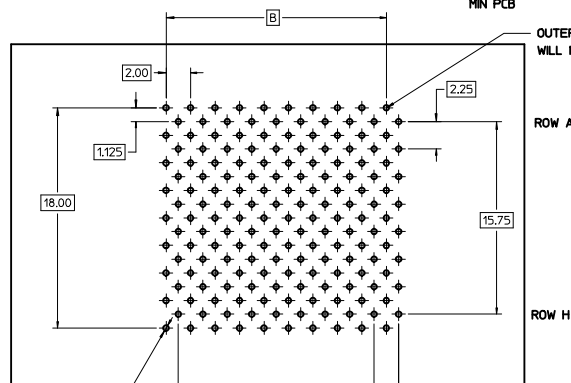
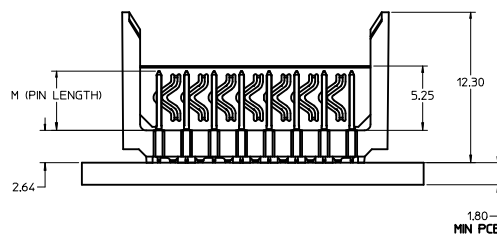
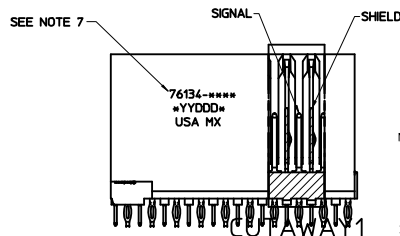
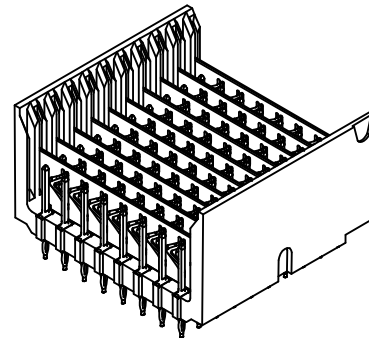
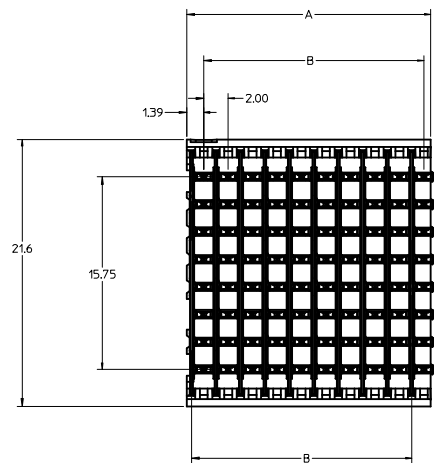
Header, 8 Row by

10 Wide, 20.00mm

(.787")

This document was generated on 05/28/2010

**PLEASE CHECK [WWW.MOLEX.COM](http://WWW.MOLEX.COM) FOR LATEST PART INFORMATION**

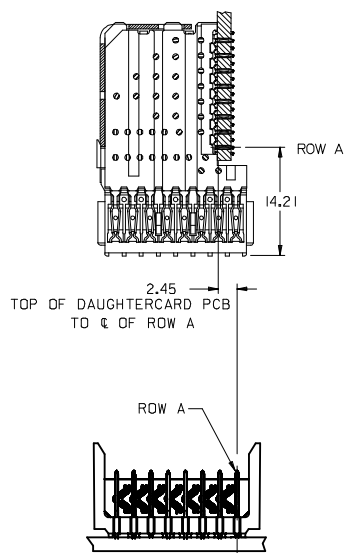
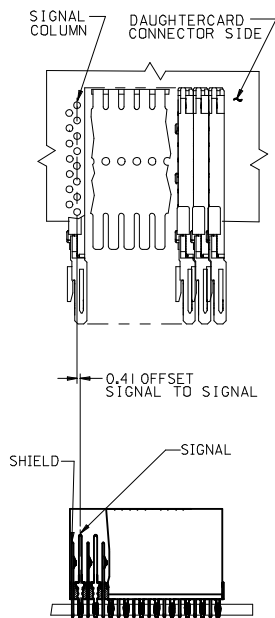


OUTER ROWS OF SHIELD THRU HOLES WILL NOT BE POPULATED

⌀ 0.10  
 ⌀ 0.46 ± 0.05  
 (⌀ 0.57 DRILL)  
 (⌀ 0.88 PADI)

- NOTES:**
- MATERIALS:**  
 HOUSING - LIQUID CRYSTAL POLYMER (LCP)  
 GLASS FILLED, UL94V-0, BLACK  
 SIGNAL PIN AND SHIELD - COPPER ALLOY
  - FINISHES:**  
 CONTACT AREA - SELECTIVE GOLD (Au)  
 PCB TAILS - SELECTIVE TIN/LEAD (SnPb) OR MATTE TIN (Sn)
  - THIS PART CONFORMS TO MOLEX PRODUCT SPECIFICATION PS-74031-999.
  - FOR MIXED CONTACT LENGTH CONTACT MOLEX FOR AVAILABILITY.
  - FOR SPECIFIC MATERIAL NUMBERS AND MATING INFORMATION REFER TO SHEET 2.
  - PACKAGE PER PK-74060-003.
  - ASSEMBLY WILL BE MARKED WITH P/N AND DATE CODE WITH LASER MARK ON SIDE OF HOUSING OR BY LABEL ON THE TUBE.

INITIAL RELEASE IEC NO. UCP2008-2748 DRAWN BY J JONIAK 2008/12/01 CHECKED BY J JONIAK 2008/12/02 APPR: J LAURY 2008/12/03	QUALITY SYMBOLS ▽=0 ▽=0	GENERAL TOLERANCES (UNLESS SPECIFIED)		DIMENSION STYLE MM ONLY		SCALE 5:1	DESIGN UNITS METRIC	THIRD ANGLE PROJECTION	
		4 PLACES ± --- ± ---	mm      INCH	DRAWN BY J JONIAK	DATE 2008/04/11	TITLE VHDM H-SERIES 8 ROW OPEN END BACKPLANE SALES DRAWING			
		3 PLACES ± --- ± ---		CHECKED BY B INGHAM	DATE 2008/04/11	MOLEX INCORPORATED			
		2 PLACES ± 0.15 ± --- 1 PLACE ± 0.25 ± ---		APPROVED BY B INGHAM	DATE 2008/04/11				
DRAFT WHERE APPLICABLE MUST REMAIN WITHIN DIMENSIONS		MATERIAL NO. SEE PAGE 2		DOCUMENT NO. SD-76134-001		SHEET NO. 1 OF 2			



PART NUMBER	COLUMN	NUMBER OF SIGNAL PINS	NUMBER OF SHIELD	A	B	M	Au (um) THICKNESS	Sn (um) THICKNESS
76134-#001	10	80	10	20.00	18.00	4.75	0.76	0.76-1.52
76134-#006							1.27	
76134-#501	25	200	25	50.00	48.00	0.76		
76134-#506						1.27		
76134-#002	10	80	10	20.00	18.00	0.76		
76134-#007						1.27		
76134-#502	25	200	25	50.00	48.00	0.76		
76134-#507						1.27		
76134-#003	10	80	10	20.00	18.00	0.76		
76134-#008						1.27		
76134-#503	25	200	25	50.00	48.00	0.76		
76134-#508						1.27		
76134-#004	10	80	10	20.00	18.00	0.76		
76134-#009						1.27		
76134-#504	25	200	25	50.00	48.00	0.76		
76134-#509						1.27		

MATERIAL NUMBER ASSIGNMENT

76134-\*\* \*\*  
SEE TABLE

NUMBER OF COLUMNS/PLATING  
 10 = 10 COLUMN TIN/LEAD  
 25 = 25 COLUMN TIN/LEAD  
 90 = 10 COLUMN MATTE TIN  
 85 = 25 COLUMN MATTE TIN

INITIAL RELEASE IEC NO. UCF2008-2748 DRAWN: JONI AK 2008/12/01 CHECKED: JONI AK 2008/12/02 APPR: JLAURY 2008/12/03	QUALITY SYMBOLS	GENERAL TOLERANCES (UNLESS SPECIFIED)	DIMENSION STYLE	SCALE	DESIGN UNITS	THIRD ANGLE PROJECTION
	▽=0 ▽=0	mm INCH 4 PLACES #--- #--- 3 PLACES #--- #--- 2 PLACES #0.15 #--- 1 PLACE #0.25 #--- ANGULAR ±1/2°	MM ONLY DRAWN BY DATE J JONI AK 2008/04/11 CHECKED BY DATE B INGHAM 2008/04/11 APPROVED BY DATE B INGHAM 2008/04/11	1:1	METRIC	TITLE VHDM H-SERIES 8 ROW OPEN END BACKPLANE SALES DRAWING
	DRAFT WHERE APPLICABLE MUST REMAIN WITHIN DIMENSIONS	MATERIAL NO. SEE CHART	DOCUMENT NO. MOLEX INCORPORATED SD-76134-001	SHEET NO. 2 OF 2		
	THIS DRAWING CONTAINS INFORMATION THAT IS PROPRIETARY TO MOLEX INCORPORATED AND SHOULD NOT BE USED WITHOUT WRITTEN PERMISSION					