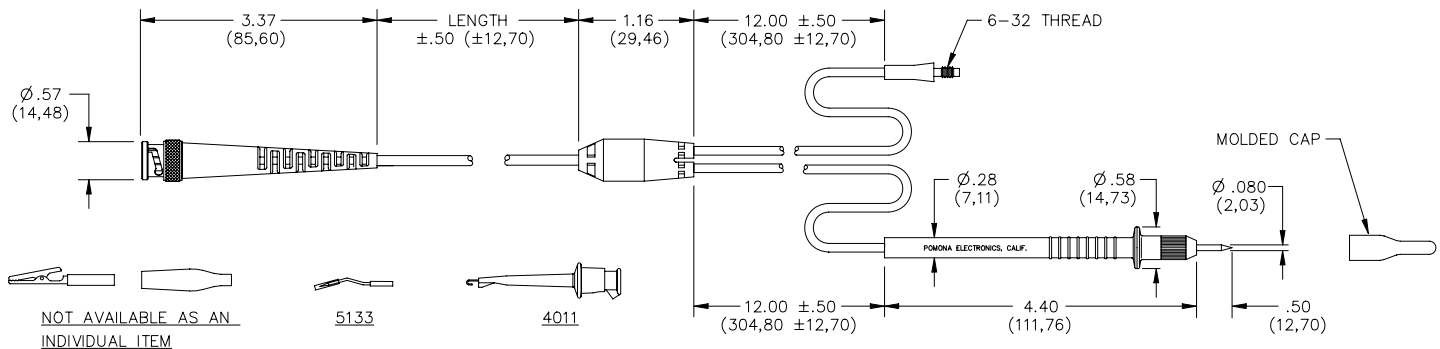


**Models 5292  
Shielded Test Lead Kit**



ACCESSORY PACK

Model 5292 Shielded Test Lead Kit

**Features**

- Shield extends to within 1.5" (3.8 cm) of the probe tip.
- Compatible with DMM's when using Pomona's Model 1269 BNC (Female) to Double Banana Plug adapter.
- Alligator or Minigrabber® Test Clip can be quickly threaded onto the ground lead.
- Stainless steel dog leg tip is included for SMD probing.
- Kit includes a replaceable stainless steel dog lead tip excellent for SMD probing.

- Threaded Insert: Brass, Nickel Plated

**Accessory Pack**

- Items 1 & 2: Minigator With 6-32 Thread For Ground Lead & Insulated Flex Boot For Minigator
- Item 3: Minigrabber® Test Clip With 6-32 Thread For Ground Lead
- Item 4: Dog Leg Probe Tip

**Materials**

- Shielded Test Lead: Chuck: Brass, Nickel Plated
- Needle and Dog Leg Tips: Stainless Steel
- Probe Body & Chuck Nut: Nylon
- Cable: RG174/U Shielded Coaxial Cable, O.D. .100" (2,54 cm), Impedance: 50 Ohms Nom.
- Breakout Wire: 20 AWG, Stranding 1 x 36 t.c., PVC Insulated, O.D. .087" (2,21 cm), Color: Black
- BNC: Body – Brass Nickel Plated, Center Contact: Brass, Gold Plated, Impedance: 50 Ohms Nom.
- Strain Relief: PVC Molded to the BNC and Cable
- Minigator: Brass, Nickel Plated, Vinyl Flex Boot
- Minigrabber® Test Clip: Insulation: Nylon
- Contact: Gold Plated Beryllium Copper

**Specifications**

Operating Voltage	33 Vrms, 70V dc
Operating temperature	to +50 °C

**Rating:** *hands free testing* in controlled environment: 70 Vrms max. For CE compliance: Not intended for hand-held use at voltages above 33Vrms/70Vdc

**Ordering Information**

Model: 5292

**Sales:**  
800-490-2361

**Technical Support:**  
800-241-2060

**Fax:**  
888-403-3360

**or e-mail us at:**  
[technicalsupport@pomonatest.com](mailto:technicalsupport@pomonatest.com)

**Where to Buy:** [www.pomonaelectronics.com](http://www.pomonaelectronics.com)

All dimensions are in inches. Tolerances (except noted): .xx = ±.02" (.51 mm), .xxx = ±.005" (.127 mm). All specifications are to the latest revisions. Specifications are subject to change without notice. Registered trademarks are the property of their respective companies.