

PLEASE CHECK WWW.MOLEX.COM FOR LATEST PART INFORMATION

Part Number: [1050780001](#)
Status: **Active**
Description: 1.10mm (.043") Pitch microSD Memory Card Connector, SMT, Push-Pull Type, 2.00mm (.079") Height, Lead free

Documents:

[Drawing \(PDF\)](#) [RoHS Certificate of Compliance \(PDF\)](#)
[Product Specification PS-105078-001 \(PDF\)](#)

General

Product Family	Memory Card Sockets
Series	105078
Button Type	Push-Pull
Component Type	Header & Ejector (Host)
Product Name	microSD Card
Type	N/A

Physical

Card Detection Switch	Yes
Circuits (Loaded)	9
Color - Resin	Black
Durability (mating cycles max)	5,000
Ejector Button Side	No Ejector Button Present
Entry Angle	90° Angle
Keying to Mating Part	Yes
Material - Metal	Phosphor Bronze
Material - Plating Mating	Gold
Material - Plating Termination	Gold
Material - Resin	High Temperature Thermoplastic
PCB Locator	No
PCB Mounting Side	Normal
PCB Retention	Yes
Packaging Type	Embossed Tape on Reel
Pitch - Mating Interface (in)	0.043 In
Pitch - Mating Interface (mm)	1.10 mm
Pitch - Term. Interface (mm)	29.00 mm
Plating min: Mating (µin)	0.75
Plating min: Mating (µm)	2
Plating min: Termination (µin)	0.05
Ports	1
Temperature Range - Operating	-40°C to +85°C
Termination Interface: Style	Surface Mount

Electrical

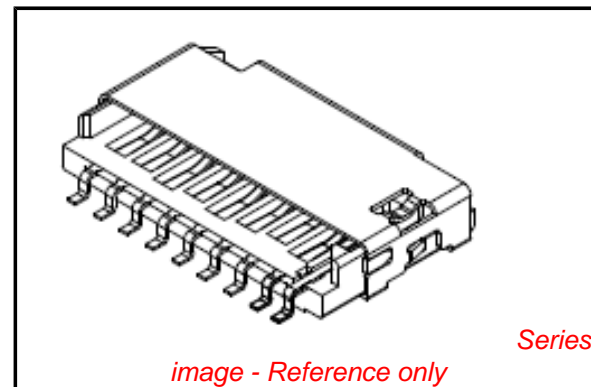
Current - Maximum per Contact	0.5A
Shielded	Yes
Voltage - Maximum	5V DC

Solder Process Data

Duration at Max. Process Temperature (seconds)	3
Lead-free Process Capability	Reflow Capable (SMT only)
Max. Cycles at Max. Process Temperature	1
Process Temperature max. C	250

Material Info

Reference - Drawing Numbers



EU RoHS

**ELV and RoHS
Compliant**
REACH SVHC
 Not Reviewed
**Halogen-Free
Status**

China RoHS



**Need more information on product
environmental compliance?**

Email productcompliance@molex.com
 For a multiple part number RoHS Certificate of Compliance, [click here](#)

Please visit the [Contact Us](#) section for any non-product compliance questions.

Search Parts in this Series

[105078Series](#)

Mates With

Standard microSD Card

Use With

microSD Card

Packaging Specification
Product Specification
Sales Drawing

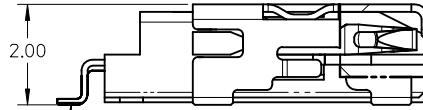
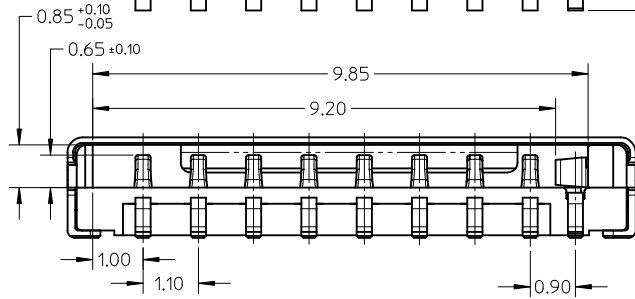
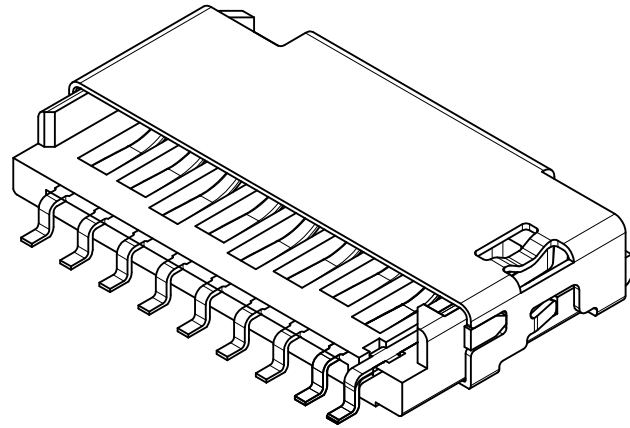
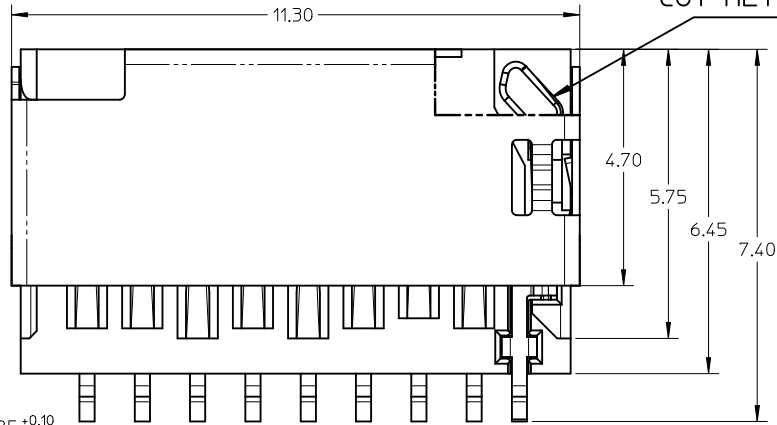
PK-105078-001
PS-105078-001
SD-105078-001

This document was generated on 05/18/2010

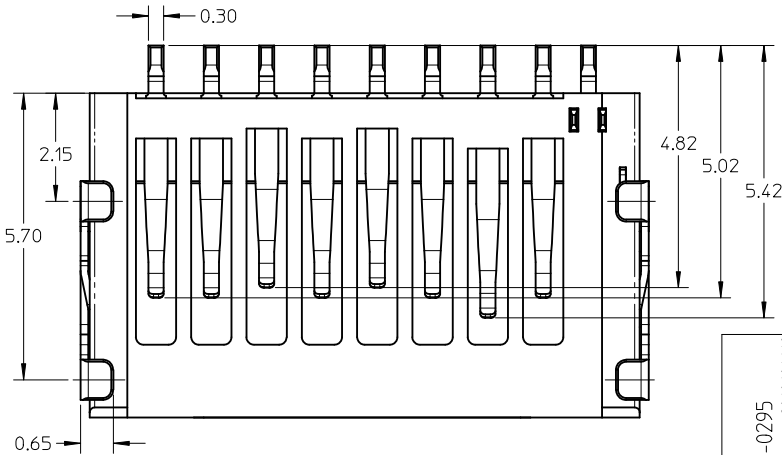
PLEASE CHECK WWW.MOLEX.COM FOR LATEST PART INFORMATION

10 9 8 7 6 5 4 3 2 1

CUT METAL SHELL AWAY



ALL SOLDER TAIL \square 0.08



NOTE:

1 MATERIAL:

- 1-1 HOUSING : HIGH TEMPERATURE THERMOPLASTIC, UL 94V-0, BLACK
- 1-2 SIGNAL TERMINAL : PHOSPHOR BRONZE, THICKNESS: 0.12MM.
- 1-3 DETECT TERMINAL : PHOSPHOR BRONZE, THICKNESS: 0.12MM.
- 1-4 METAL SHELL : STAINLESS STEEL, THICKNESS: 0.15MM.

2 FINISH:

- 2-1 SIGNAL TERMINAL : 1.25 MICRON MIN NICKEL UNDER-PLATED,
0.75 MICRON MIN GOLD PLATING ON CONTACT AREA,
GOLD FLASH PLATED ON SOLDER AREA
- 2-2 METAL SHELL :GOLD PLATED AT SOLDER PAD AREA .
- 2-3 DETECT PIN : 1.25 MICRON MIN NICKEL UNDER-PLATED,
0.75 MICRON MIN GOLD PLATING ON CONTACT AREA,
GOLD FLASH PLATED AT SOLDER TAIL AREA

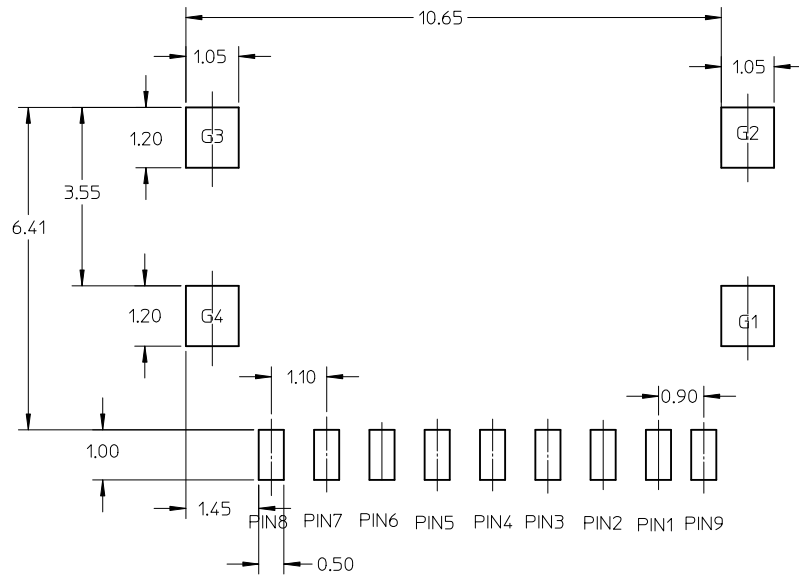
3 COMPLIANT TO RoHS DIRECTIVE 2002/95/EC AND ELV 2000/53/EC.

4.PRODUCT PACKAGE : PK-105078-001

5.PRODUCT SPECIFICATION : PS-105078-001

RELEASED EC NO: SH2010-0295 DRWN: JLIU39 CHKD: WFDENG APPR: WFDENG 2010/01/18 2008/8/10 2010/02/22	DESCRIPTION QUALITY SYMBOLS $\nabla_A=0$ $\nabla_B=0$ $\nabla_C=0$	GENERAL TOLERANCES (UNLESS SPECIFIED)		DIMENSION STYLE MM ONLY		SCALE 10:1	DESIGN UNITS METRIC	THIRD ANGLE PROJECTION		
			mm	INCH	DRAWN BY LIU LEI	DATE 2008/8/10	TITLE 2.0H TFR HEADER WITH SIDE DETECT PIN			
		4 PLACES	± ---	± ---	CHECKED BY WFDENG	DATE 2008/8/10				
		3 PLACES	± ---	± ---	APPROVED BY WFDENG	DATE 2010/02/11	MATERIAL NO. 1050780001		DOCUMENT NO. SD-105078-001	
2 PLACES	± 0.15	± ---	DRAFT WHERE APPLICABLE MUST REMAIN WITHIN DIMENSIONS		THIS DRAWING CONTAINS INFORMATION THAT IS PROPRIETARY TO MOLEX INCORPORATED AND SHOULD NOT BE USED WITHOUT WRITTEN PERMISSION					
1 PLACE	± 0.20	± ---	ANGULAR ± 2 °							

9 8 7 6 5 4 3 2 1



RECOMMEND PCB LAYOUT
RECOMMEND TOLERANCE: +/-0.05 MM

G4	GND
G3	GND
G2	GND
G1	GND
PIN9	DET
PIN8	DAT1
PIN7	DAT0
PIN6	VSS
PIN5	CLK
PIN4	VDD
PIN3	CMD
PIN2	CD/DAT3
PIN1	DAT2
PIN NUMBER	PIN NAME

SEE FIRST PAGE EC NO: SH2010-0295 DRWN: JLIU39 CHKD: WFDENG APPR: WFDENG	2010/01/18 2008/8/10 2010/02/22	DESCRIPTION REV	QUALITY SYMBOLS	GENERAL TOLERANCES (UNLESS SPECIFIED)	DIMENSION STYLE	SCALE	DESIGN UNITS	THIRD ANGLE PROJECTION
			$F_A=0$	mm INCH	MM ONLY	10:1	METRIC	
			$F_G=0$	4 PLACES ± --- ± ---	DRAWN BY DATE			TITLE
			$F_P=0$	3 PLACES ± --- ± ---	LIU LEI 2008/8/10			2.0H TFR HEADER WITH SIDE DETECT PIN
	2 PLACES ± 0.15 ± ---	CHECKED BY DATE						
	1 PLACE ± 0.20 ± ---	WFDENG 2008/8/10						
	ANGULAR ± 2 °	APPROVED BY DATE						
		WFDENG 2010/02/11						
		MATERIAL NO.						
		1050780001						
		DOCUMENT NO.						
		SD-105078-001						
		SHEET NO.						
		2 OF 2						
		SIZE						
		A3						
		THIS DRAWING CONTAINS INFORMATION THAT IS PROPRIETARY TO MOLEX INCORPORATED AND SHOULD NOT BE USED WITHOUT WRITTEN PERMISSION						

F

E

D

C

B

A

F

E

D

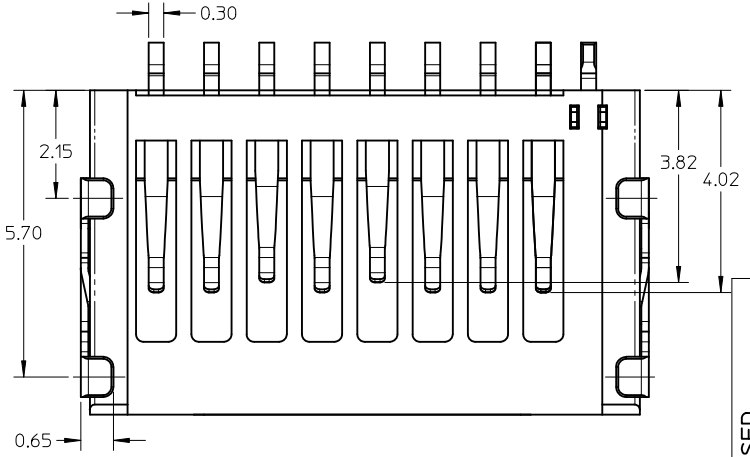
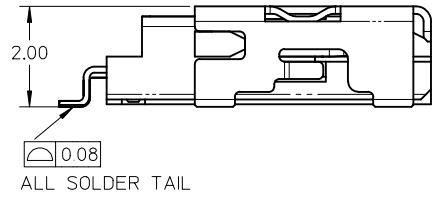
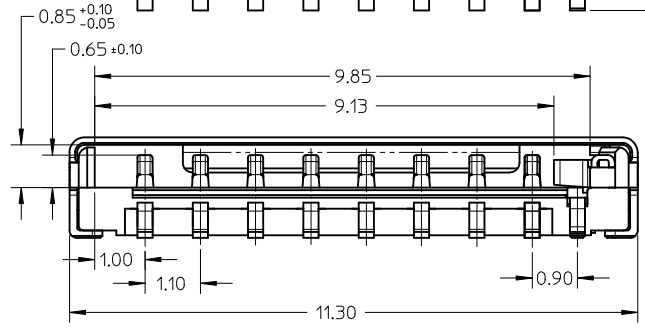
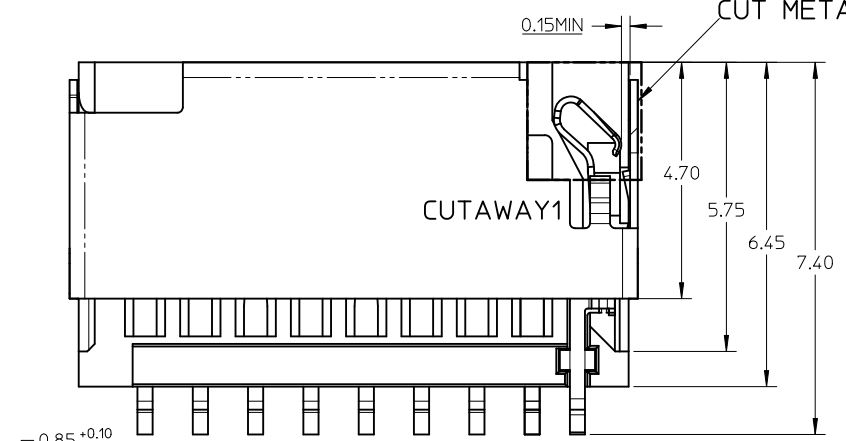
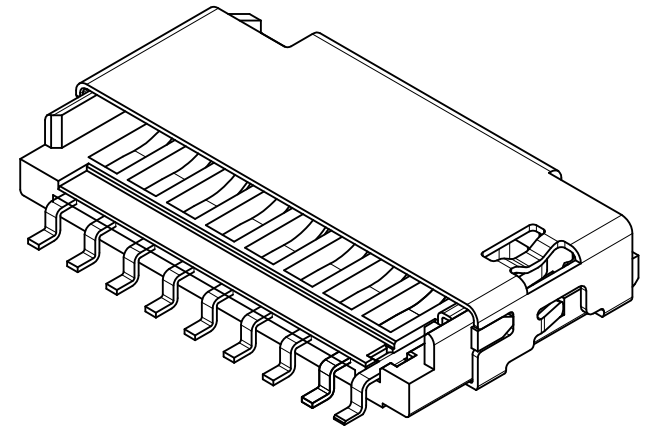
C

B

A

CUT METAL SHELL AWAY

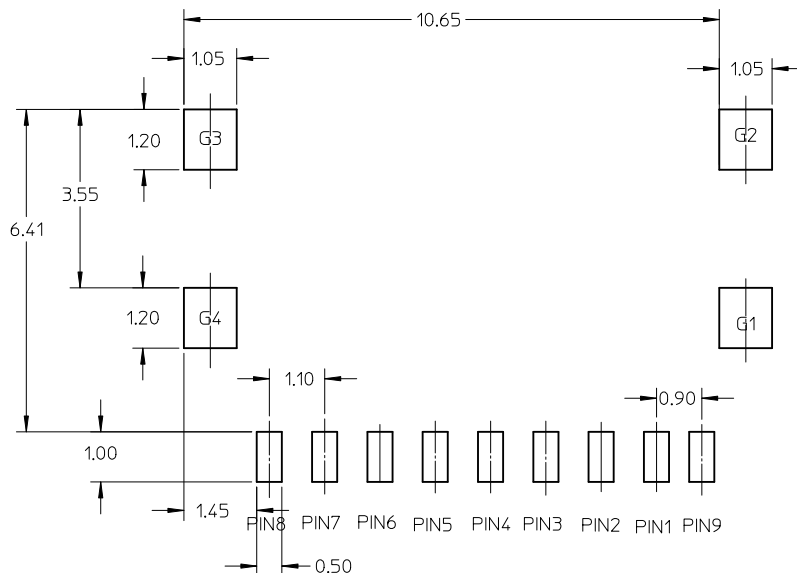
CUTAWAY1



NOTE:

- 1 MATERIAL:
 - 1-1 HOUSING : HIGH TEMPERATURE THERMOPLASTIC, UL 94V-0, BLACK
 - 1-2 SIGNAL TERMINAL : PHOSPHOR BRONZE, THICKNESS: 0.12MM.
 - 1-3 DETECT TERMINAL : PHOSPHOR BRONZE, THICKNESS: 0.12MM.
 - 1-4 METAL SHELL : STAINLESS STEEL, THICKNESS: 0.15MM.
- 2 FINISH:
 - 2-1 SIGNAL TERMINAL : 1.25 MICRON MIN NICKEL UNDER-PLATED, 0.75 MICRON MIN GOLD PLATING ON CONTACT AREA, GOLD FLASH PLATED ON SOLDER AREA
 - 2-2 METAL SHELL :GOLD PLATED AT SOLDER PAD AREA .
 - 2-3 DETECT PIN : 1.25 MICRON MIN NICKEL UNDER-PLATED, 0.75 MICRON MIN GOLD PLATING ON CONTACT AREA, GOLD FLASH PLATED AT SOLDER TAIL AREA
- 3 COMPLIANT TO RoHS DIRECTIVE 2002/95/EC AND ELV 2000/53/EC.
- 4.PRODUCT PACKAGE : PK-105078-001
- 5.PRODUCT SPECIFICATION : PS-105078-001

PROPOSED EC NO: SH2010-0392 DRWN: JL IUB39 CHKD: LADNY APPR: WFDENG	2010/04/08 2010/05/14 2010/06/10	DESCRIPTION 1 REV	QUALITY SYMBOLS	GENERAL TOLERANCES (UNLESS SPECIFIED)	DIMENSION STYLE	SCALE	DESIGN UNITS	THIRD ANGLE PROJECTION
			$F_A=0$	mm INCH	MM ONLY	10:1	METRIC	TITLE 2.0H TFR HEADER WITH SIDE DETECT PIN
			$F_B=0$	4 PLACES ± --- ± ---	DRAWN BY DATE	MOLEX MOLEX INCORPORATED		
			$F_C=0$	3 PLACES ± --- ± ---	LIU LEI 2008/8/10		MATERIAL NO. 1051490001 DOCUMENT NO. SD-105149-001	
$F_D=0$	2 PLACES ± 0.15 ± ---	CHECKED BY DATE	DRAFT WHERE APPLICABLE MUST REMAIN WITHIN DIMENSIONS	THIS DRAWING CONTAINS INFORMATION THAT IS PROPRIETARY TO MOLEX INCORPORATED AND SHOULD NOT BE USED WITHOUT WRITTEN PERMISSION				
ANGULAR ± 2 °	1 PLACE ± 0.20 ± ---	WFDENG 2008/8/10			SHEET NO. 1 OF 2			



RECOMMEND PCB LAYOUT
RECOMMEND TOLERANCE: +/-0.05 MM

G4	GND
G3	GND
G2	GND
G1	GND
PIN9	DET
PIN8	DAT1
PIN7	DAT0
PIN6	VSS
PIN5	CLK
PIN4	VDD
PIN3	CMD
PIN2	CD/DAT3
PIN1	DAT2
PIN NUMBER	PIN NAME

SEE FIRST PAGE	EC NO: SH2010-0392	2010/04/08	QUALITY SYMBOLS F _A =0 F _G =0 F _P =0	GENERAL TOLERANCES (UNLESS SPECIFIED)		DIMENSION STYLE MM ONLY		SCALE 10:1	DESIGN UNITS METRIC	THIRD ANGLE PROJECTION		
	DRWN: LIU LEI	2010/05/14		mm	INCH	DRAWN BY LIU LEI	DATE 2008/8/10	TITLE 2.0H TFR HEADER WITH SIDE DETECT PIN				
	CHKD: LADNY	2010/06/10		4 PLACES	± ---	± ---	CHECKED BY WFDENG	DATE 2008/8/10	MOLEX INCORPORATED			
	APPR: WFDENG			3 PLACES	± ---	± ---	APPROVED BY WFDENG	DATE 2010/02/11				
1	DESCRIPTION	ANGULAR ± 2 °		DRAFT WHERE APPLICABLE MUST REMAIN WITHIN DIMENSIONS		THIS DRAWING CONTAINS INFORMATION THAT IS PROPRIETARY TO MOLEX INCORPORATED AND SHOULD NOT BE USED WITHOUT WRITTEN PERMISSION						