

**PLEASE CHECK WWW.MOLEX.COM FOR LATEST PART INFORMATION**

**Part Number:** **0751991012**  
**Status:** **Active**  
**Overview:** vhdm\_hsd  
**Description:** 2.00mm (.079") Pitch 8-Row VHDM® Lite Backplane Header, Guide Pin Signal Module, Shield End Version, 80 Circuits, Pin Length 6.25mm (.246")

**Documents:**

[Drawing \(PDF\)](#) [RoHS Certificate of Compliance \(PDF\)](#)  
[Product Specification PS-74031-999 \(PDF\)](#)

**General**

Product Family	Backplane Connectors
Series	75199
Application	Backplane
Application Tooling Documents	<a href="http://www.molex.com/pdm_docs/ats/TM-622010999.pdf">Tooling Manual</a>
Comments	Keying Position A
Component Type	PCB Header
Overview	vhdm_hsd
Product Name	VHDM Lite®
Style	N/A

**Physical**

Circuits (Loaded)	80
Circuits (maximum)	80
Color - Resin	Black
Durability (mating cycles max)	200
First Mate / Last Break	No
Guide to Mating Part	Yes
Keying to Mating Part	Yes
Material - Metal	High Performance Alloy (HPA), Stainless Steel
Material - Plating Mating	Gold
Material - Plating Termination	Tin-Lead
Material - Resin	High Temperature Thermoplastic
Number of Columns	10
Number of Pairs	Open Pin Field
Number of Rows	8
Orientation	Vertical
PCB Retention	Yes
PCB Thickness Recommended (in)	0.070 In
PCB Thickness Recommended (mm)	1.80 mm
Packaging Type	Tube
Pitch - Mating Interface (in)	0.079 In
Pitch - Mating Interface (mm)	2.00 mm
Plating min: Mating (µin)	30
Plating min: Mating (µm)	0.75
Plating min: Termination (µin)	30
Plating min: Termination (µm)	0.75
Polarized to PCB	Yes
Stackable	Yes
Surface Mount Compatible (SMC)	Yes
Temperature Range - Operating	-55°C to +105°C
Termination Interface: Style	Through Hole - Compliant Pin

**Electrical**

Current - Maximum per Contact	1A
-------------------------------	----

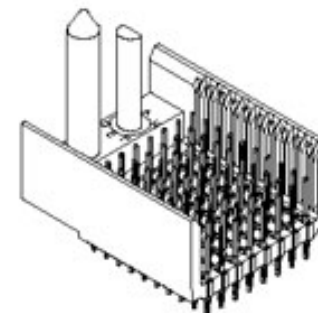


image - Reference only

Series

**EU RoHS**

**RoHS Compliant by Exemption**  
**REACH SVHC**  
**Contains SVHC: No**  
**Halogen-Free**  
**Status**  
**Halogen-Free**

**China RoHS**



**Need more information on product environmental compliance?**

Email [productcompliance@molex.com](mailto:productcompliance@molex.com)  
For a multiple part number RoHS Certificate of Compliance, [click here](#)

Please visit the [Contact Us](#) section for any non-product compliance questions.

**Search Parts in this Series**

75199Series

**Mates With**

75191 VHDM® Lite-Series Board-to-Board Daughtercard

**Use With**

Daughtercard Modules

**Application Tooling | FAQ**

*Tooling specifications and manuals are found by selecting the products below. Crimp Height Specifications are then contained in the Application Tooling Specification document.*

**Global**

Description	Product #
VHDM® Signal Pin Inserter Repair Tool	<a href="#">0622015700</a>
VHDM® Insertion Module for Standard Shield Signal Header, 8 Row by	<a href="#">0622020209</a>

Data Rate 622.0 Mbps  
Real Signals (per 25mm) 76  
Voltage - Maximum 120V AC (RMS)/DC

10 Wide, 20.00mm  
(.787")

### **Material Info**

### **Reference - Drawing Numbers**

Packaging Specification PK-74061-003  
Product Specification PS-74031-999  
Sales Drawing SD-75199-001

VHDM and Very High Density Metric are trademarks of Amphenol Corporation

This document was generated on 05/28/2010

**PLEASE CHECK [WWW.MOLEX.COM](http://WWW.MOLEX.COM) FOR LATEST PART INFORMATION**

F

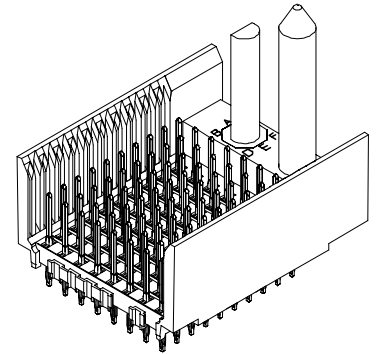
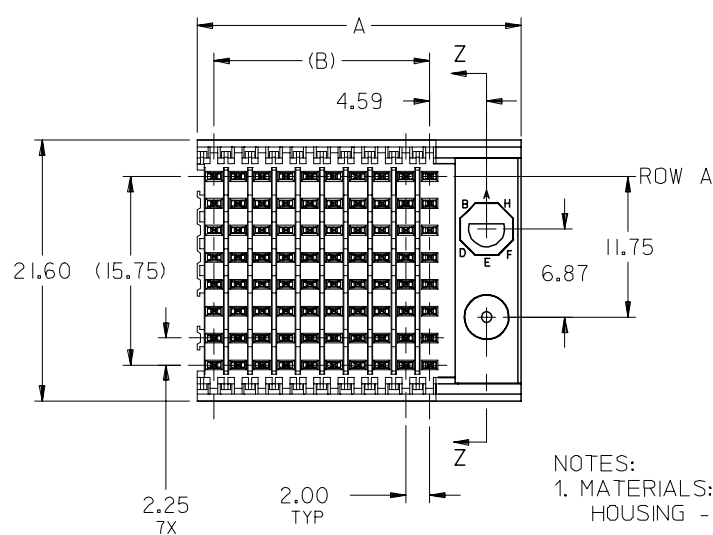
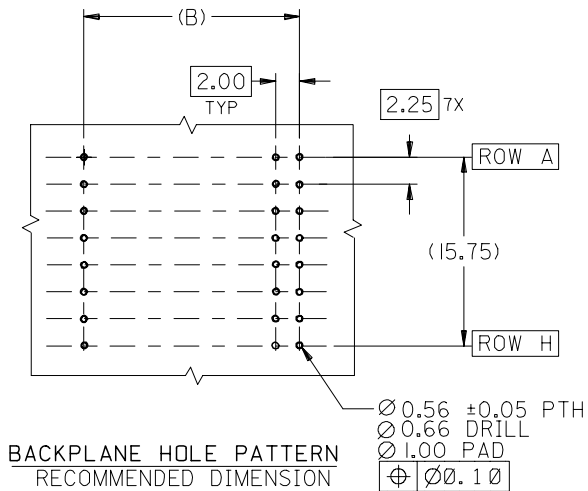
E

D

C

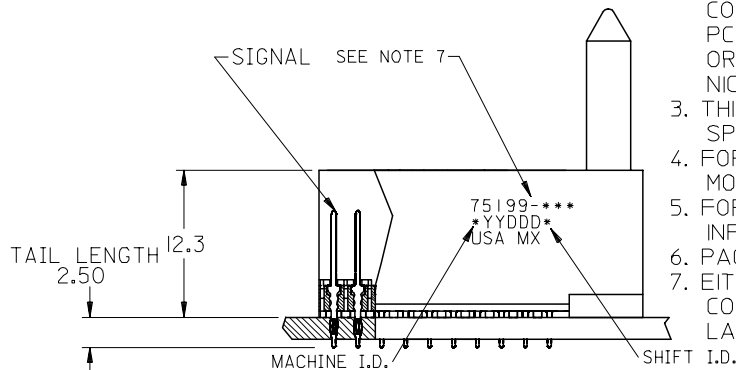
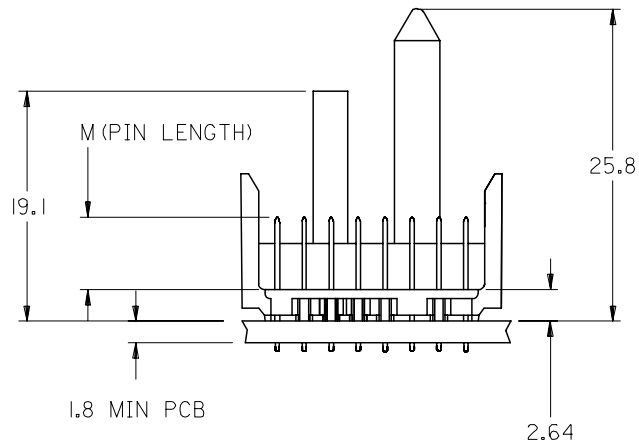
B

A



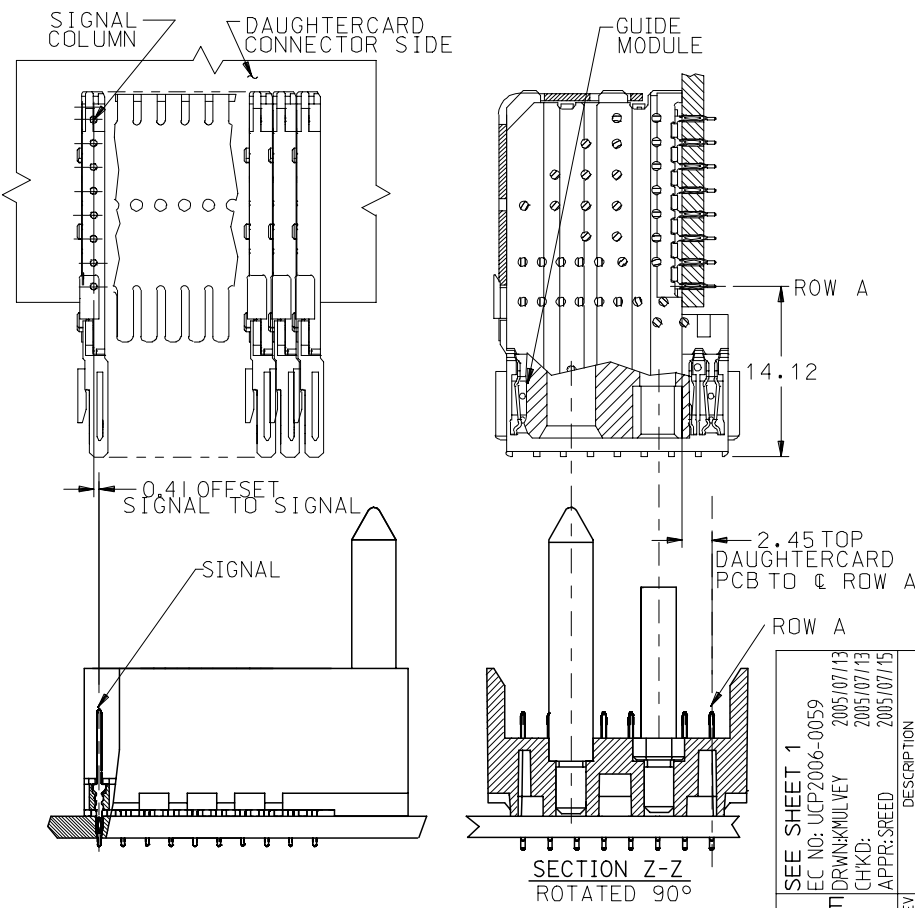
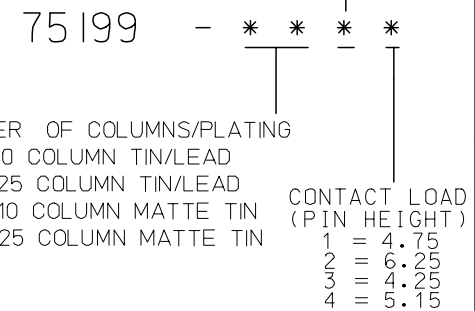
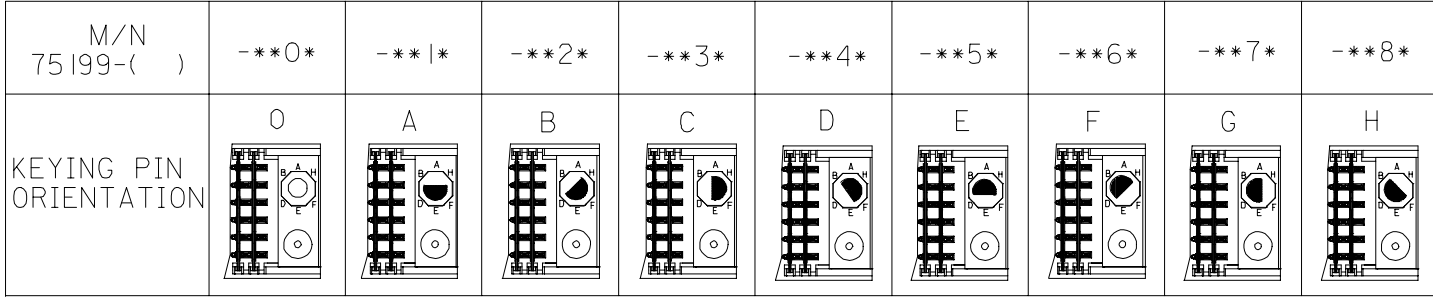
**NOTES:**

- MATERIALS:**  
HOUSING - LIQUID CRYSTAL POLYMER (LCP),  
GLASS-FILLED, UL 94V-0, COLOR: BLACK  
SIGNAL PIN - COPPER ALLOY
- FINISHES:**  
CONTACT AREA: SELECTIVE GOLD (Au)  
PCB TAILS: SELECTIVE TIN/LEAD (Sn/Pb)  
OR SELECTIVE MATTE TIN (Sn)  
NICKEL (Ni) OVERALL.
- THIS PART CONFORMS TO MOLEX PRODUCT SPECIFICATION PS-74031-999
- FOR MIXED CONTACT LENGTHS CONSULT MOLEX FOR AVAILABILITY
- FOR SPECIFIC MATERIAL NUMBERS & MATING INFORMATION REFER TO SHEET 2
- PACKAGE PER PK-74061-003
- EITHER MARK PART WITH PART NUMBER & DATE CODE APPROXIMATELY WHERE SHOWN OR PLACE LABEL ON THE TUBE.



ADD LEADFREE PNs EC NO: UCP2006-0059 DRWN: KMULVEY 2005/07/13 CHKD: 2005/07/13 APPR: SREED 2005/07/15	DESCRIPTION REV	QUALITY SYMBOLS ▽=0 ▽=0	GENERAL TOLERANCES (UNLESS SPECIFIED) mm INCH 4 PLACES ± --- ± --- 3 PLACES ± --- ± --- 2 PLACES ± --- ± --- 1 PLACE ± --- ± --- ANGULAR ±1/2°	DIMENSION STYLE MM ONLY DRAWN BY: MBANDURA DATE: 2002/10/17 CHECKED BY: DATE: 2002/10/17 APPROVED BY: CBIXLER DATE: 2002/10/17	SCALE: 2.5:1 DESIGN UNITS: METRIC THIRD ANGLE PROJECTION
		DRAFT WHERE APPLICABLE MUST REMAIN WITHIN DIMENSIONS	MATERIAL NO.: SEE SHEET 2 SIZE: B	TITLE: VHDM LITE 8 ROW SHIELD END BACKPLANE SALES ASSEMBLY MOLEX MOLEX INCORPORATED DOCUMENT NO.: SD-75199-001	SHEET NO.: 1 OF 2
		THIS DRAWING CONTAINS INFORMATION THAT IS PROPRIETARY TO MOLEX INCORPORATED AND SHOULD NOT BE USED WITHOUT WRITTEN PERMISSION			

10 9 8 7 6 5 4 3 2 1



PART NUMBER	COLUMN	NUMBER OF SIGNAL PIN	NUMBER OF SHIELD	A	B	M	Au (um) THICKNESS	Sn (um) THICKNESS
75199-0*1	10	80	0	27.00	18.00	4.75	0.76	0.76-1.52
75199-5*1	25	200	0	57.00	48.00	4.75	0.76	
75199-0*2	10	80	0	27.00	18.00	6.25	0.76	
75199-5*2	25	200	0	57.00	48.00	6.25	0.76	
75199-0*3	10	80	0	27.00	18.00	4.25	0.76	
75199-5*3	25	200	0	57.00	48.00	4.25	0.76	
75199-0*4	10	80	0	27.00	18.00	5.15	0.76	
75199-5*4	25	200	0	57.00	48.00	5.15	0.76	

SEE SHEET 1

EC NO: UCP2006-0059  
 DRW: KML/VEY 2005/07/13  
 CHKD: 2005/07/13  
 APPR: SREED 2005/07/15

QUALITY SYMBOLS  
 ▽=0  
 ▽=0

GENERAL TOLERANCES (UNLESS SPECIFIED)

	mm	INCH
4 PLACES	± ---	± ---
3 PLACES	± ---	± ---
2 PLACES	± ---	± ---
1 PLACE	± ---	± ---

ANGULAR ±1/2°

DRAFT WHERE APPLICABLE  
MUST REMAIN WITHIN DIMENSIONS

DIMENSION STYLE  
MM ONLY

SCALE  
2.5:1

DESIGN UNITS  
METRIC

THIRD ANGLE PROJECTION

DRAWN BY: MBANDURA DATE: 2002/10/17  
 CHECKED BY: NMARTIN DATE: 2002/10/17  
 APPROVED BY: CBIXLER DATE: 2002/10/17

MATERIAL NO. SEE CHART

DOCUMENT NO. SD-75199-001

TITLE  
VHDM LITE 8 ROW SHIELD END BACKPLANE SALES ASSEMBLY

MOLEX INCORPORATED

SHEET NO. 2 OF 2

THIS DRAWING CONTAINS INFORMATION THAT IS PROPRIETARY TO MOLEX INCORPORATED AND SHOULD NOT BE USED WITHOUT WRITTEN PERMISSION

9 8 7 6 5 4 3 2 1