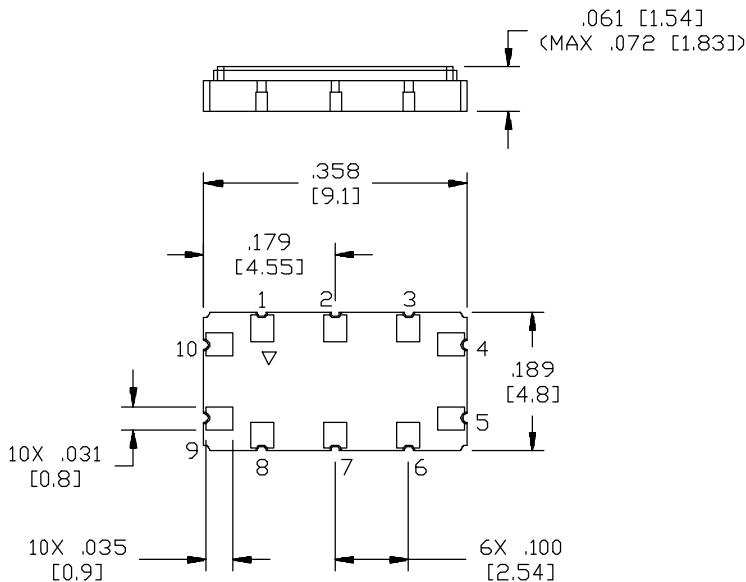


**TFH622A SAW Filter**  
**Preliminary**

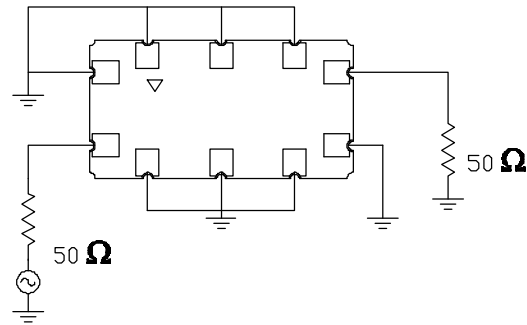
**622.08 MHz SAW Filter**  
**for SDH/SONET Timing Recovery Applications**

Parameter	Minimum	Nominal	Maximum	Unit
Center Frequency		622.08		MHz
Insertion Loss at 622.08 MHz			14	dB
Loaded 3-dB Q	600		1200	
Phase at 622.08 MHz	Ref. -60	Ref.	Ref. +60	°
Jitter Transfer Function Peak			0.1	dB
Attenuation- DC to 606 MHz	30			dB
Attenuation- 699 to 1245 MHz	25			dB
Operating Temperature	-40		85	°C

**Package Outline**



**Source/Load Configuration**



9mmx5mm Leadless Chip Carrier  
Source/Load Impedance 50Ω