



## Low-cost interactive set-top box decoder

DATA BRIEF

### DESCRIPTION

STMicroelectronics sets a new standard for performance, price and integration in the single chip MPEG-2 set-top box decoder market with the introduction of the STM5105.

This highly integrated solution targets mass market STBs, offers increased performance over earlier devices, and includes many features to further reduce costs, including a unified memory architecture.

The STM5105 features the ST20 CPU that is standard across the OMEGA range but boosts the clock speed to 200 MHz which, when combined with the 2D graphics engine, gives the new device outstanding graphics performances.

Targeting low-cost, single tuner STB applications, the STM5105's DDR memory interface both reduces system costs and minimises overall system latency, ensuring the new device can support the most demanding interactive TV applications and middlewares.

The integration of VCXO and audio DACs ensures that manufacturers using the STM5105 cut their bill of materials and significantly simplify board design and assembly.

STM5105 is supplied in either 24 mm x 24 mm LQFP216 or 23 mm x 23 mm BGA package.

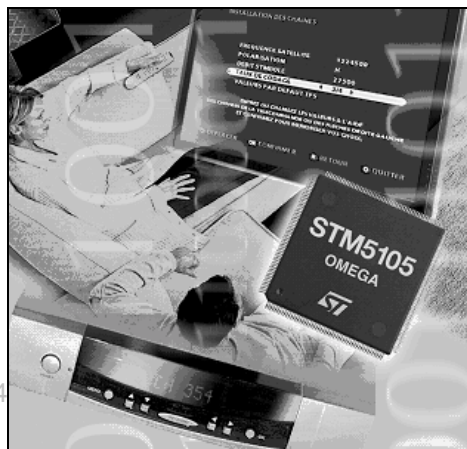
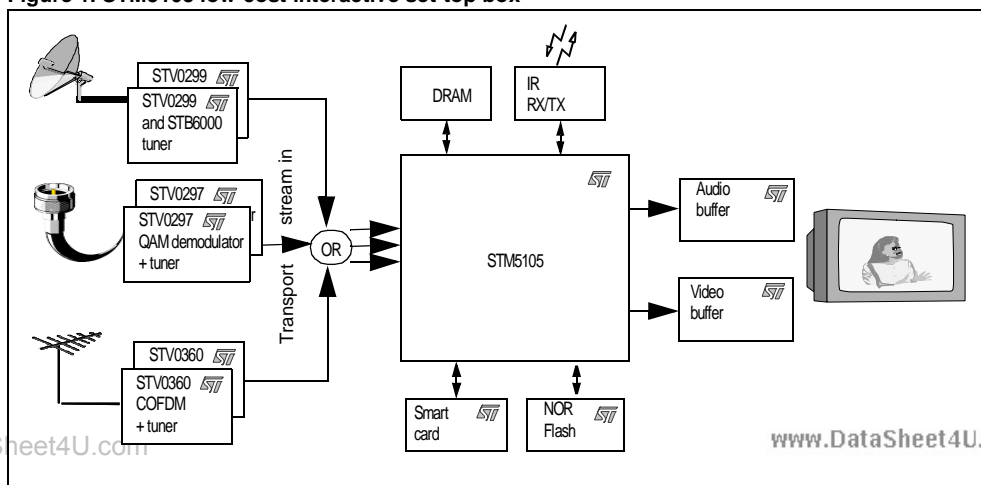


Figure 1. STM5105 low-cost interactive set-top box



www.DataSheet4U.com

**FEATURES**

- Enhanced ST20 32-bit VL-RISC CPU
  - 200 MHz, single cycle cache, 4 Kbyte instruction cache, 4 Kbyte data cache, 2 Kbyte SRAM
- Unified memory interface
  - Up to 133 MHz, 16-bit wide DDR interface
- Programmable flash memory interface
  - SRAM, peripheral, Flash, SFlash™ support
  - Support for low-cost DVB-CI and ATAPI
- Programmable transport interface (PTI)
  - Single transport stream input
  - Support for DVB transport streams
  - Integrated DVB, ICAM descramblers
- MPEG-2 MP@ML video decoder
  - Fully programmable horizontal and vertical SRCs
- Graphics/display
  - Advanced blitter base compositor
  - 8 bpp CLUT graphics, 256 x 30 bits (AYCbCr) CLUT entries
  - 16 bpp true color graphics, RGB565, ARGB1555, ARGB4444 formats with link-list control
  - Alpha blending, antialiasing, antialiasing, antiflicker filters
  - 2D paced blitter engine with fill function
- PAL/NTSC/SECAM encoder
  - RGB, CVBS, Y/C and YUV outputs with four 10-bit DAC outputs. RGB/CVBS or YUV/CVBS or YC/CVBS
  - Encoding of CGMS, Teletext, WSS, VPS, close caption
- Audio subsystem
  - MPEG-1 layers I/II
  - Simultaneous MPEG audio decode and output of Dolby streams on S/PDIF
  - IEC958/IEC1937 digital audio output interface
  - Integrated stereo audio DAC system
- Central DMA controller
- On-chip peripherals
  - Two ASCs (UARTs) with Tx and Rx FIFOs
  - Three 8-bit banks of parallel I/O and one 7-bit bank
  - One smartcard interface and clock generator
  - Two SSCs for I<sup>2</sup>C/SPI master/slave interfaces
  - Infrared transmitter/receiver
  - Integrated VCXO
  - Low-power/RTC/watchdog controller
- JTAG/TAP interface
- Package 24 mm x 24 mm LQFP216 or 23 mm x 23 mm BGA.

**PART NUMBERING****Table 1. Order codes**

Part Number	Description
STM5105ALA	Low-cost MPEG decoder for basic free-to-air applications supporting MHEG5 and MHP middleware
STB5105-MB/NS	Development platform
STI5105-REF/S	Satellite reference design (STM5105 decoder + STV0299B NIM)
STI5105-REF/T	Terrestrial reference design (STM5105 decoder + STV0360 NIM)
STB5105-REF/C	Cable reference design (STB5105 decoder + STV0297 NIM)

**REVISION HISTORY****Table 2. Revision history**

Date	Revision	Description of changes
March-2005	1	First issue

et4U.com

DataSheet4U.com

Information furnished is believed to be accurate and reliable. However, STMicroelectronics assumes no responsibility for the consequences of use of such information nor for any infringement of patents or other rights of third parties which may result from its use. No license is granted by implication or otherwise under any patent or patent rights of STMicroelectronics. Specifications mentioned in this publication are subject to change without notice. This publication supersedes and replaces all information previously supplied. STMicroelectronics products are not authorized for use as critical components in life support devices or systems without express written approval of STMicroelectronics.

The ST logo is a registered trademark of STMicroelectronics.

All other names are the property of their respective owners

© 2005 STMicroelectronics - All rights reserved

STMicroelectronics group of companies

Australia - Belgium - Brazil - Canada - China - Czech Republic - Finland - France - Germany - Hong Kong - India - Israel - Italy - Japan - Malaysia - Malta - Morocco - Singapore - Spain - Sweden - Switzerland - United Kingdom - United States of America

[www.st.com](http://www.st.com)

