

BOARD-TO-CABLE MALE CONNECTOR

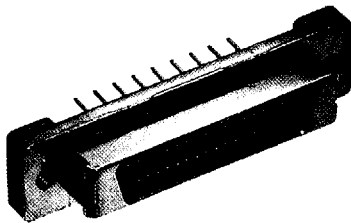
DIP TYPE MALE CONNECTOR

Ordering Information

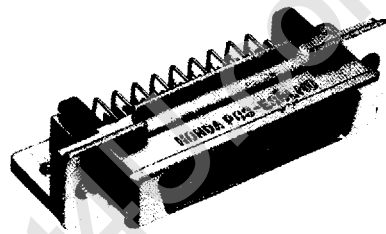
PCS-E()MD

① ② ③

- ① Series Prefix
- ② Number of Contacts: 20, 28, 36, 50, 68, 80, 96
- ③ Shape of Connector Terminal
 - MD : Straight DIP type male
 - LMD : Right angle DIP type male



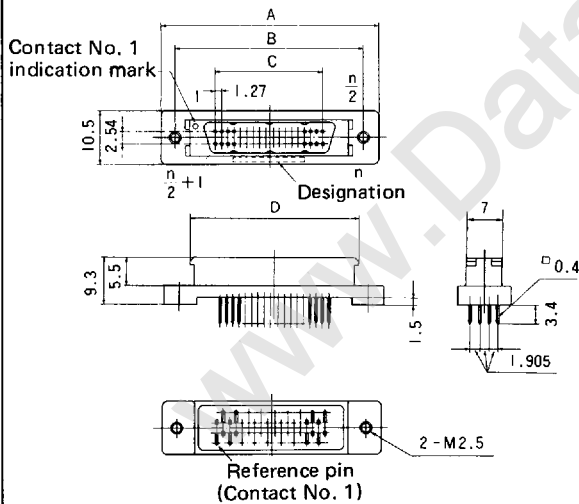
PCS-E36MD



PCS-E36LMD

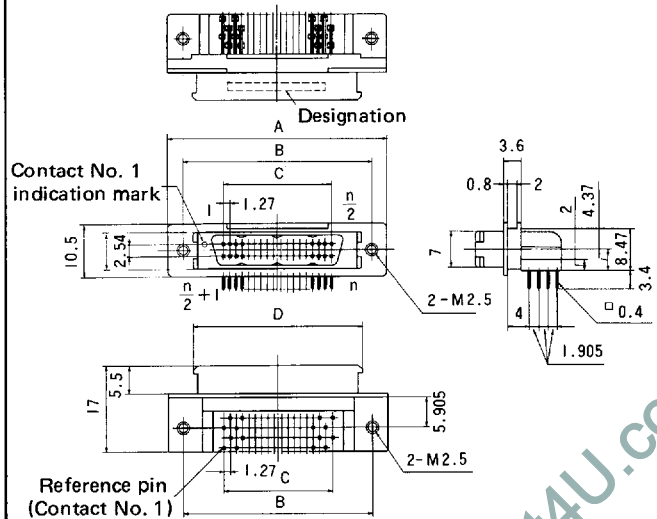
For the board mounting size, please refer to pages 4 and 5.

Straight DIP Type Male Connector PCS-E()MD



No. of contacts	Part No.	A	B	C	D
20	PCS-E20MD	33.4	27.4	11.43	23.3
28	PCS-E28MD	38.5	32.5	16.51	28.4
36	PCS-E36MD	43.6	37.6	21.59	33.5
50	PCS-E50MD	52.5	46.5	30.48	42.4
68	PCS-E68MD	63.9	57.9	41.91	53.8

Right Angle DIP Type Male Connector PCS-E()LMD



No. of contacts	Part No.	A	B	C	D
20	PCS-E20LMD	33.4	27.4	11.43	23.3
28	PCS-E28LMD	38.5	32.5	16.51	28.4
36	PCS-E36LMD	43.6	37.6	21.59	33.5
50	PCS-E50LMD	52.5	46.5	30.48	42.4
68	PCS-E68LMD	63.9	57.9	41.91	53.8
80	PCS-E80LMD	71.5	65.5	49.53	61.4
96	PCS-E96LMD	81.7	75.69	59.69	71.6

HIGH DENSITY CONNECTORS FOR PC BOARDS AND INTERFACES

High Density Connectors (anti-EMI, with lock, for interface)
for Board-to-Board and Board-to-Cable Connection

APPLICATION

The PCS series are high density connectors with 1.27 mm spacings designed to meet the need of connection in miniaturized electronic equipment, such as personal computers, facsimiles, printers and other OA equipments.

FEATURES

Features of the PCS series connectors include the following.

Board-to-board connector

- (1) Available with contacts ranging from 34 to 96, allowing diverse connections of circuits.
- (2) Designed for smooth connection and disconnection with low insertion and extraction force.
- (3) Drain mechanism is provided to drain washing solution out of the housing after flux cleaning.

Board-to-cable connector

- (1) IDC type (press fitting) cable connection is standard, allowing labor saving in connecting operation.
- (2) 28AWG(7/0.127), 38AWG(1/0.254) and 30AWG(7/0.1) wire sizes are available.
- (3) Designed to prevent EMI, in addition to FCC.
- (4) Construction for use in interface connection (cable covering and receptacle shell are made of die casting). A rigid metal spring is used for the connector joint and can be quickly locked.
- (5) Connectors are available with 20 to 96 contacts.

MATERIAL AND FINISH

Board-to-board connector

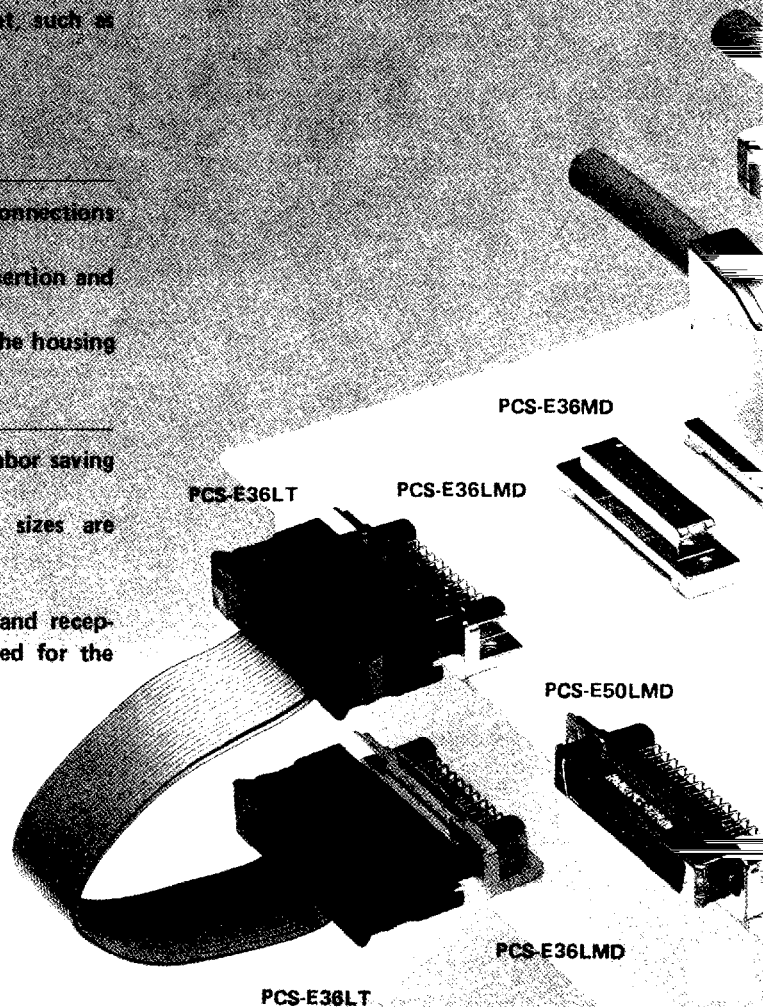
- Pin contact : Phosphor bronze (gold plating over nickel coating, solder plating on contact)
- Socket contact : Phosphor bronze (gold plating over nickel coating, solder plating on contact)
- Insulator : PBT resin (GF) UL94V-0 black

Board-to-cable connector

- Pin contact : Phosphor bronze (gold plating over nickel coating, solder plating on contact)
- Socket contact : Phosphor bronze (gold plating over nickel)
- Insulator : PBT resin (GF) UL94V-0 black
- Cable covering : Zinc die cast (nickel plating under copper)
- Receptacle shell : Zinc die cast (nickel plating under copper)
- Plug shell : Copper (tin plating)
- Lock spring : Stainless steel

PERFORMANCE

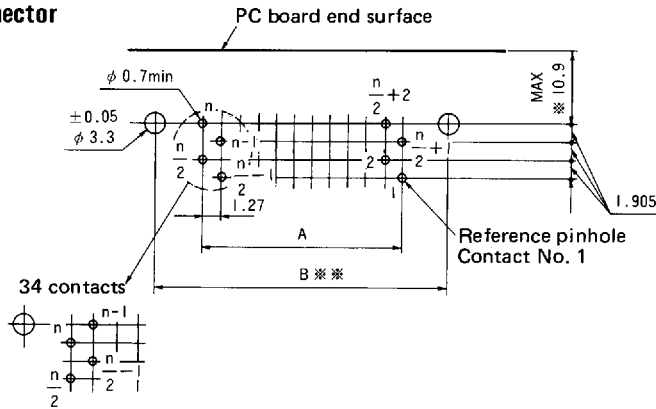
- Rated current : 1A
- Rated voltage : 250 V AC (r.m.s)
- Insulation resistance : 1000 M Ω or more
- Withstand voltage : 750 V AC (r.m.s) or more for 1 minute
- Contact resistance : 35 m Ω or less (including conductor resistance)
- Compatible board thickness : 1.6 mm
- Diameter of through-hole in board : ϕ 0.7 mm Minimum
- Operating temperature and humidity range : -55°C to +105°C, 85% Rh maximum



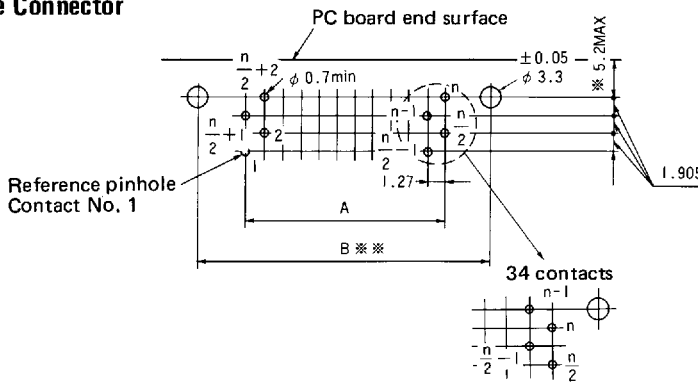
DIP TYPE BOARD MOUNTING SIZE (CONNECTOR MOUNTED SIDE)

BOARD-TO-BOARD CONNECTOR

Male Connector



Female Connector

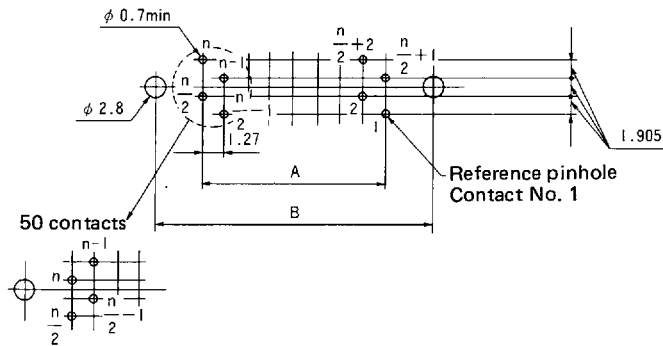


No. of contacts	A	B
34	20.32	26.67
48	29.21	35.56
68	41.91	48.26
96	59.69	66.04

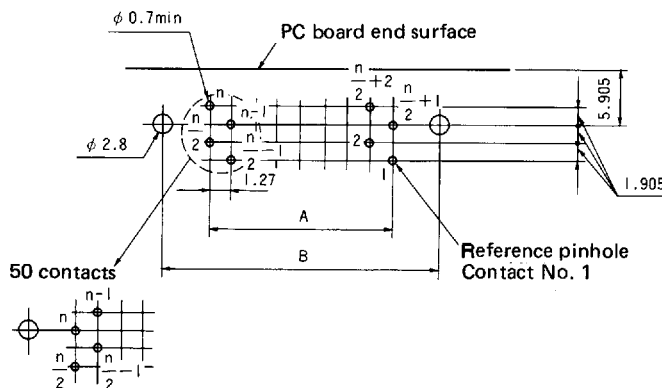
* This indicates the distance from the board end surface of the right angle connector.
 ** This indicates the mounting size when the metal fitting is used.

BOARD-TO-CABLE CONNECTOR

Straight DIP Type Male Connector



Right Angle DIP Type Male Connector



No. of contacts	A	B
20	11.43	27.4
28	16.51	32.5
36	21.59	37.6
50	30.48	46.5
68	41.91	57.9
80	49.53	65.5
96	59.69	75.69