

FEATURES

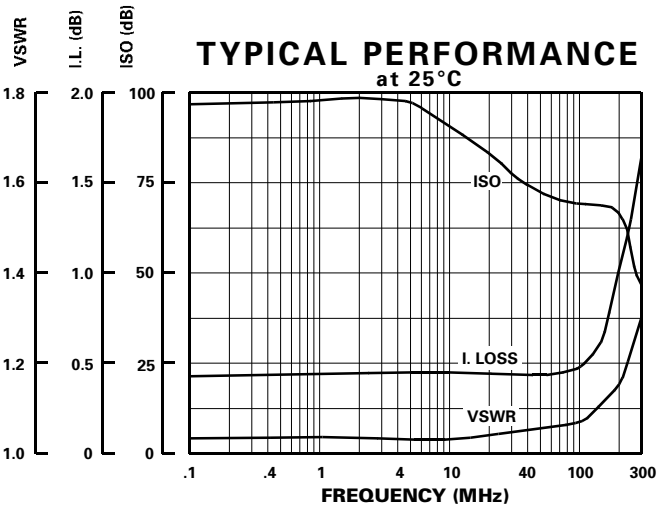
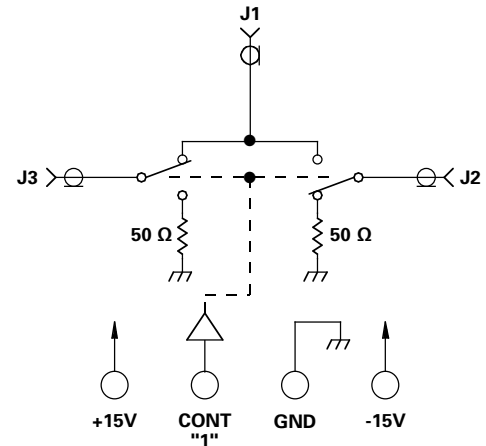
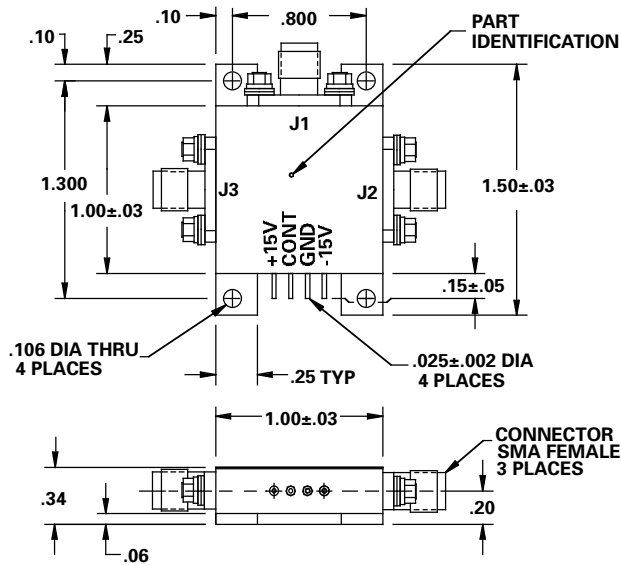
- 0.1 - 150 MHz
- High Intercept Points
- 2.5 mA, +15 VDC
- 60 dB Isolation



**MODEL NO.
DSW26189**

GaAs SP2T

SP2T



LOGIC TABLE	
"0"	J1 To J2
"1"	J1 To J3

GUARANTEED PERFORMANCE

Parameter	Min	Typ	Max	Units	Conditions
Operating Frequency	0.1		150	MHz	
DC Current		2.5	10	mA	At +15 VDC Supply
		1.5	10	mA	At -15 VDC Supply
Control Type		TTL			See Logic Chart
Control Current		High	1.0	±100	μA
		Low	1.0	±100	μA
					V _{IH} = +2.7V
					V _{IL} = +0.5V
Insertion Loss		0.6	1.0	dB	
Isolation	60	64		dB	
VSWR		Thru	1.10/1	1.5/1	
		Termination	1.08/1	1.5/1	
Impedance		50		OHMS	
Switching Speed		0.15	5	μSEC	50% TTL to 90% / 10% RF
Transition (Rise/Fall) Time		0.02		μSEC	10% / 90% or 90% / 10% RF
Switching (Video) Transients		+81		dBm	In 3 KHz BW at 1KHz PRF
Intercept Points		2nd	+81	+110	dBm
		3rd	+36	+56	dBm
RF Power		Operate	+22	+18	dBm
		No Damage		+30	dBm
Operating Temperature	-55	+25	+125	°C	TA