

**PLEASE CHECK WWW.MOLEX.COM FOR LATEST PART INFORMATION**

**Part Number:** **0191180055**  
**Status:** **Active**  
**Description:** Krimptite™ Flanged Spade Tongue Terminal for 14-16 AWG Wire, Stud Size 6, Mylar Tape Carrier

**Documents:**

[Drawing \(PDF\)](#) [RoHS Certificate of Compliance \(PDF\)](#)

**Agency Certification**

CSA LR18689  
 UL E32244

**General**

Product Family Ring and Spade Terminals  
 Series 19118  
 Crimp Quality Equipment Yes  
 Mil-Spec N/A  
 Product Name Krimptite™  
 Type Spade

**Physical**

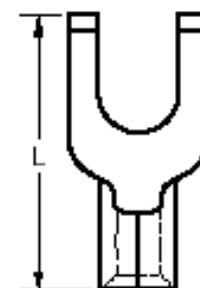
Barrel Type Closed  
 Insulation None  
 Material - Plating Mating Tin  
 Packaging Type Adhesive Tape on Reel  
 Plating min: Mating (µin) 160  
 Plating min: Mating (µm) 4  
 Plating min: Termination (µin) 160  
 Plating min: Termination (µm) 4  
 Stud Size 6 (M3.5)  
 Wire Size AWG 14, 16  
 Wire Size mm² 1.00 - 2.50

**Material Info**

Old Part Number BB-116-06T

**Reference - Drawing Numbers**

Sales Drawing SD-19118-001



*Series  
 image - Reference only*

**EU RoHS**

**ELV and RoHS  
 Compliant**  
**REACH SVHC  
 Contains SVHC: No**  
**Halogen-Free  
 Status  
 Not Reviewed**

**China RoHS**



**Need more information on product  
 environmental compliance?**

Email [productcompliance@molex.com](mailto:productcompliance@molex.com)  
 For a multiple part number RoHS Certificate of  
 Compliance, [click here](#)

Please visit the [Contact Us](#) section for any  
 non-product compliance questions.

**Search Parts in this Series**

19118Series

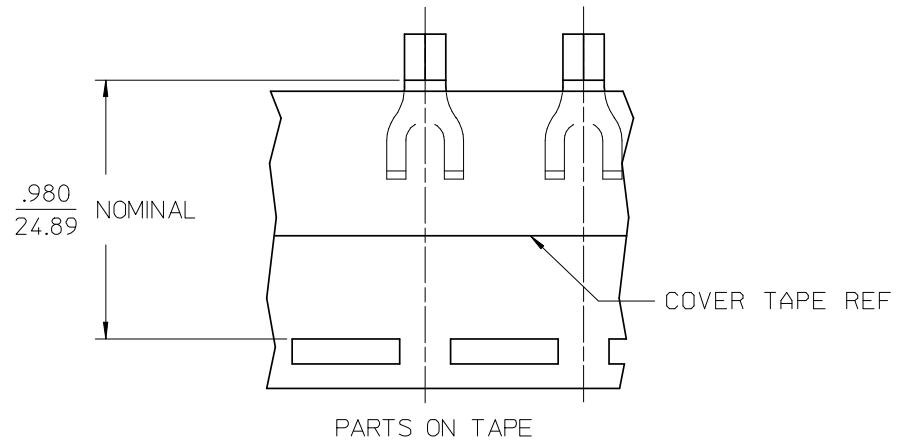
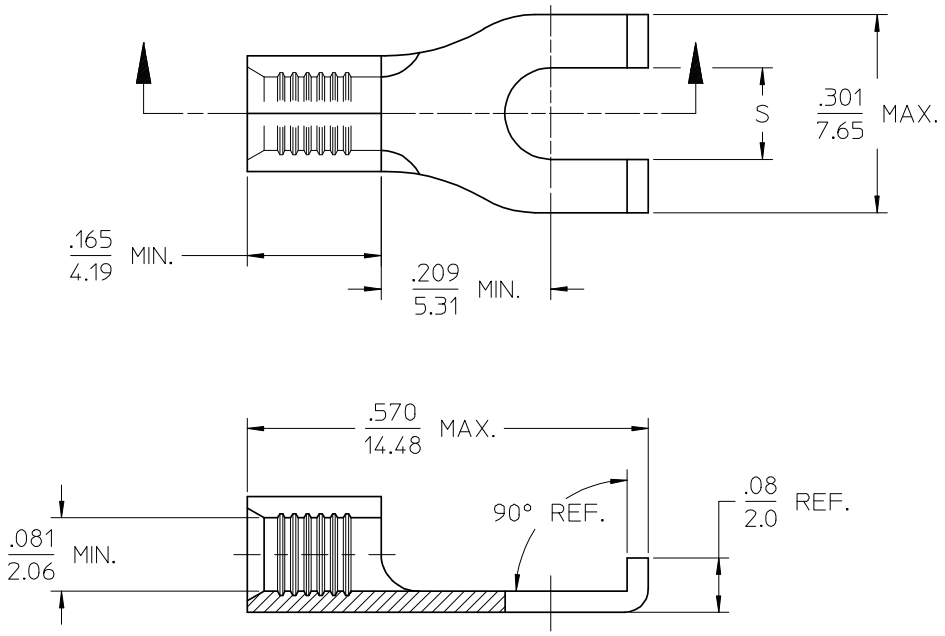
**Application Tooling | [FAQ](#)**

*Tooling specifications and manuals are  
 found by selecting the products below.  
 Crimp Height Specifications are then  
 contained in the Application Tooling  
 Specification document.*

**Global**

Description	Product #
ATP Perishable Tool Kit used in ATP presses that process product on tape	<a href="#">0190270068</a>
Mini-Mac™ Applicator, Air Feed Mylar Tape	<a href="#">0638853900</a>

LOOSE PIECE		TAPE MOUNTED			
MATERIAL NUMBER	ENGINEERING NUMBER	MATERIAL NUMBER	ENGINEERING NUMBER	STUD SIZE	S ±.005
191180054	BB-116-06	191180055	BB-116-06T	6	.146/3.71
191180056	BB-116-08	191180057	BB-116-08T	8	.173/4.39
191180058	BB-116-10	191180059	BB-116-10T	10	.198/5.03



SALES DRAWING

- NOTES:  
 1. MATERIAL: COPPER .031/.79 THICK  
 2. PLATING: ELECTRO-TIN  
 3. PART IS RoHS COMPLIANT

RELEASED TO PROD. EIC NO: ETC2008-0012 DRWN: RSTONE 2007/11/26 CHKD: JMACNEIL 2007/11/26 APPR: JMACNEIL 2007/12/05	QUALITY SYMBOLS ▽=0 ∇=0	GENERAL TOLERANCES (UNLESS SPECIFIED)		DIMENSION STYLE	SCALE	DESIGN UNITS	THIRD ANGLE PROJECTION	
			mm	INCH	IN/MM	---	INCH	
		4 PLACES	±---	±---				
		3 PLACES	±---	±.005				
	2 PLACES	±0.13	±.01					
	1 PLACE	±0.25	±---					
	ANGULAR ±---°							
	DRAFT WHERE APPLICABLE MUST REMAIN WITHIN DIMENSIONS							
				MATERIAL NO.	DOCUMENT NO.	SHEET NO.		
				SEE CHART	SD-19118-001	1 OF 1		
				SIZE B	THIS DRAWING CONTAINS INFORMATION THAT IS PROPRIETARY TO MOLEX INCORPORATED AND SHOULD NOT BE USED WITHOUT WRITTEN PERMISSION			