

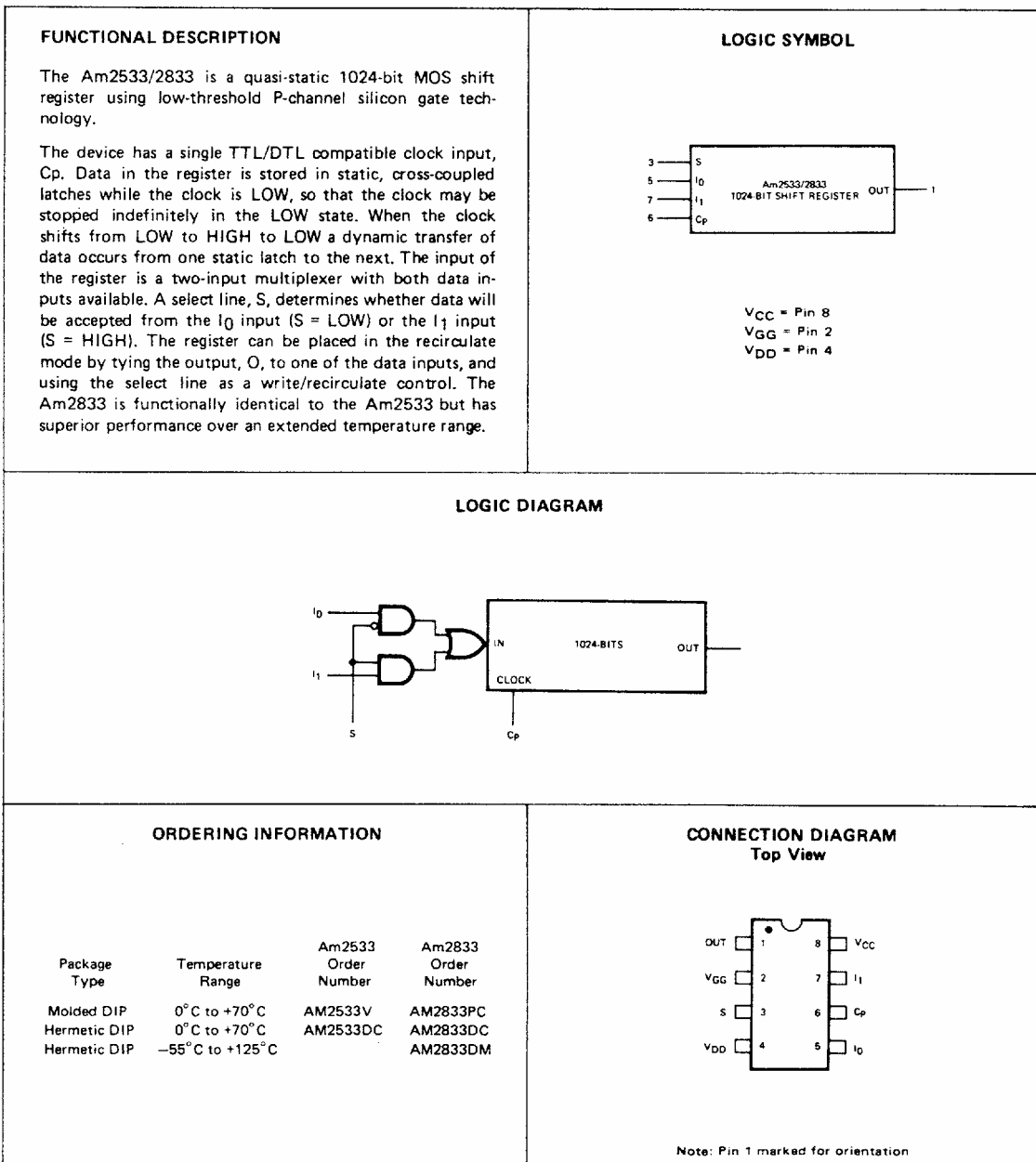
Am2533/2833

1024-Bit Static Shift Registers

Complex Digital Integrated Circuits

Distinctive Characteristics

- Second source to Signetics 2533
- All inputs are low-level DTL/TTL compatible
- Static operation with single clock input.
- 100% reliability assurance testing in compliance with MIL-STD-883.
- DC to 2.0MHz operation with Am2833



MAXIMUM RATING (Above which the useful life may be impaired)

Storage Temperature	-65°C to +150°C
Temperature (Ambient) Under Bias	-55°C to +125°C
V _{DD} Supply Voltage	V _{SS} -20V to V _{SS} +0.3V
V _{GG} Supply Voltage	V _{SS} -20V to V _{SS} +0.3V
DC Input Voltage	V _{SS} -20V to V _{SS} +0.3V

OPERATING RANGE

Part No.	Temperature	V _{CC}	V _{GG}
Am2533PC/Am2833PC	0°C to 70°C	5.0V ±5%	-12.0V ±5%
Am2533DC/Am2833DC			
Am2833DM	-55°C to +125°C	5.0V ±5%	-12.0V ±5%

ELECTRICAL CHARACTERISTICS OVER OPERATING RANGE (Unless Otherwise Noted)

Parameters	Description	Test Conditions	Min.	Typ. (Note 1)	Max.	Units
V _{OH}	Output HIGH Voltage	V _{CC} = MIN., I _{OH} = -100μA	2.4	3.5		Volts
V _{OL}	Output LOW Voltage	V _{CC} = MIN., I _{OL} = 1.6mA		0.2	0.4	Volts
V _{IH}	Input HIGH Level	Guaranteed input logical HIGH voltage for all inputs	V _{CC} -1.8		V _{CC} +0.3	Volts
			Am2533			
			Am2833 (Note 3)			
V _{IL}	Input LOW Level	Guaranteed input logical LOW voltage for all inputs	V _{GG}		0.8	Volts
I _{IL}	Input LOW Current	V _{CC} = MAX., V _{IN} = 0V, T _A = 25°C		10	500	nA
I _{IH}	Input HIGH Current	T _A = 25°C, V _{IN} = V _{CC} - 1.0 (Note 3)	-150	-300	-500	μA
I _{IT}	Peak input transition current (Note 3)	2.5 < V - V _{IN} < 4.0, T _A = 25°C			-1.6	mA
V _{Imax}	Voltage at maximum input current	T _A = 25°C	V _{SS} -4.0	V _{SS} -3.0	V _{SS} -2.5	V
I _{CC}	V _{CC} Power Supply Current	f = 1.5 MHz	Am2533	16	30	mA
		f = 2.0 MHz	Am2833PC, DC	16	54	
			Am2833DM	20	70	
I _{GG}	V _{GG} Power Supply Current	f = 1.5 MHz	Am2533	-5.0	-7.5	mA
		f = 2.0 MHz	Am2833PC, DC	-5.0	-14	
			Am2833DM	-7.0	-18	

Notes: 1. Typical limits are at V_{CC} = 5.0V, V_{GG} = -12V, 25°C ambient.

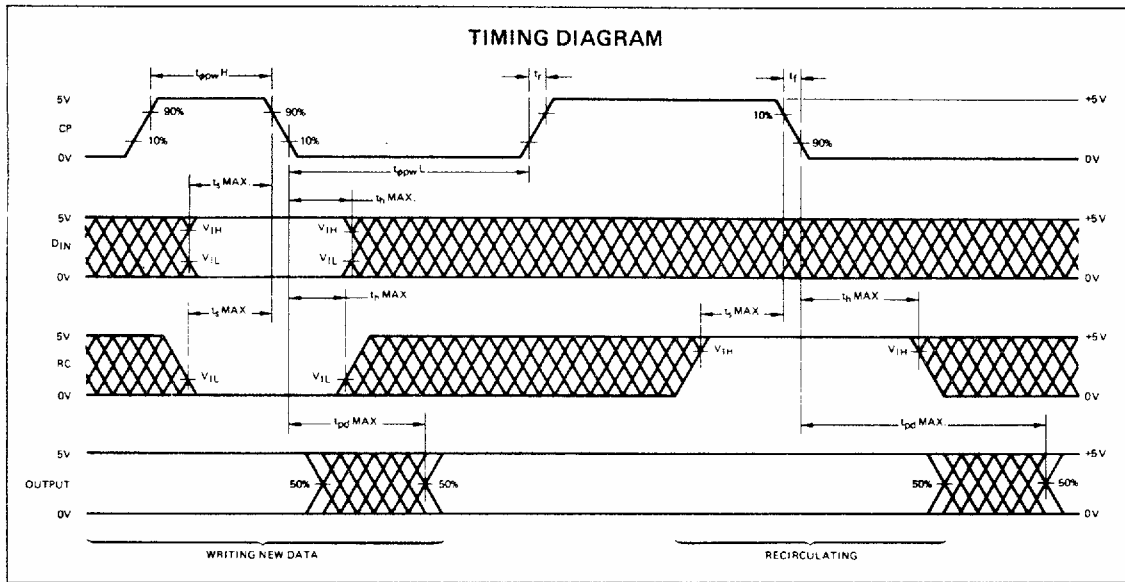
2. Power supply currents are with inputs and outputs open.

3. A special input pull-up circuit becomes active at V_{IN} = V_{SS} - 3.5V to pull the internal input node up to the MOS threshold. To return the internal node to the LOW state, current must be drawn from the MOS input. This current is maximum at approximately 2.0V.**SWITCHING CHARACTERISTICS OVER OPERATING RANGE** (Unless Otherwise Noted)

Parameters	Description	Test Conditions	Am2533			Am2833			Units
			Min.	Typ. (Note 1)	Max.	Min.	Typ. (Note 1)	Max.	
f _{max}	Maximum Clock Frequency		1.5	2.0		2.0	3.0		MHz
t _{φpwL}	Clock LOW Time		0.250		∞	0.200		∞	μs
t _{φpwH}	Clock HIGH Time		0.350		100	0.250		100	μs
t _r , t _f	Clock Rise and Fall Times				1			1	μs
t _{s(I)}	Set-up Time, I _Q or I ₁ Input (see definitions)	t _r = t _f < 25ns			50			50	ns
t _{h(I)}	Hold Time, I _Q or I ₁ Input (see definitions)				50			50	ns
t _{s(S)}	Set-up Time, S Input (see definitions)				80			80	ns
t _{h(S)}	Hold Time, S Input (see definitions)				50			50	ns
t _{pd}	Delay, Clock to Output LOW or HIGH	R _L = 2.9k, C _L = 20pF			300			300	ns
t _{pr} , t _{pf}	Output Rise and Fall Times	10% to 90%			150			150	ns
C _{in}	Capacitance, Any Input (Note 2)	f = 1MHz, V _{IN} = V _{CC}			3			3	pF

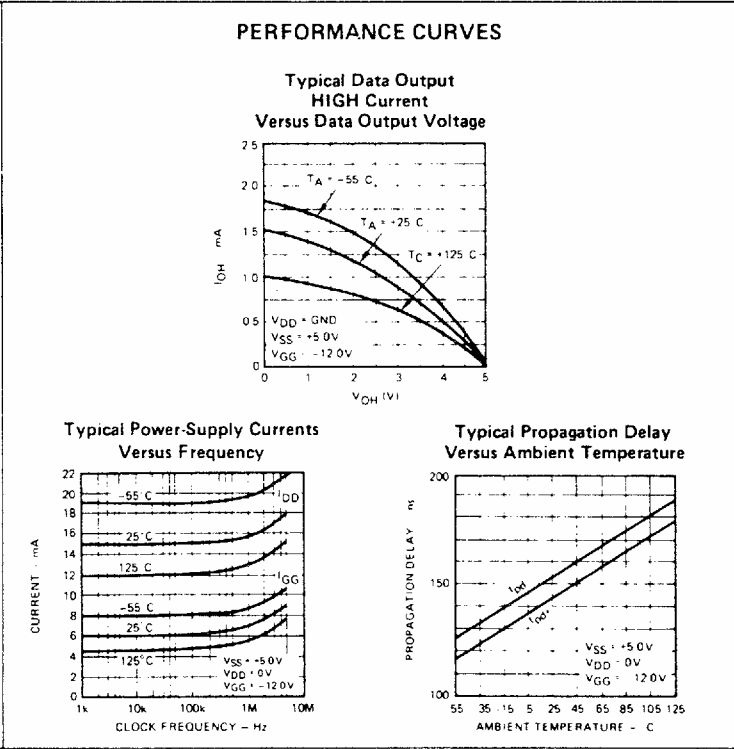
Notes: 1. Typical limits are at V_{CC} = 5.0V, V_{GG} = -12.0V and T_A = 25°C

2. This parameter is periodically sampled but not 100% tested. It is guaranteed by design.



KEY TO TIMING DIAGRAM

WAVEFORM	INPUTS	OUTPUTS
	MUST BE STEADY	WILL BE STEADY
	MAY CHANGE FROM H TO L	WILL BE CHANGING FROM H TO L
	MAY CHANGE FROM L TO H	WILL BE CHANGING FROM L TO H
	DON'T CARE ANY CHANGE PERMITTED	CHANGING STATE UNKNOWN



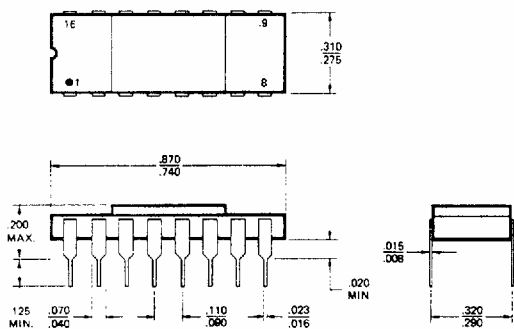
DEFINITION OF TERMS

STATIC SHIFT REGISTER A shift register that is capable of maintaining stored data without being continuously clocked. Most static shift registers are constructed with dynamic master and static slave flip-flops. The data is stored dynamically while the clock is HIGH and is transferred to the static slaves while the clock is LOW. The clock may be stopped indefinitely in the LOW state, but there are limitations on the time it may reside in the HIGH state.

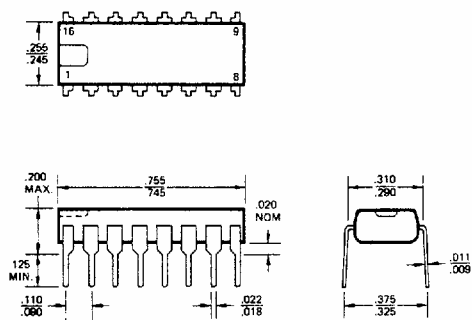
SET-UP and HOLD TIMES The shift register will accept the data that is present on its input around the time the clock goes from HIGH-to-LOW. Because of variations in individual devices, there is some uncertainty as to exactly when, relative to this clock transition, the data will be stored. The set-up and hold times define the limits on this uncertainty. To guarantee storing the correct data, the data inputs should not be changed between the maximum set-up time before the clock transition and the maximum hold time after the clock transition. Data changes within this interval may or may not be detected.

PHYSICAL DIMENSIONS
Dual-In-Line

16-Pin Side Brazed

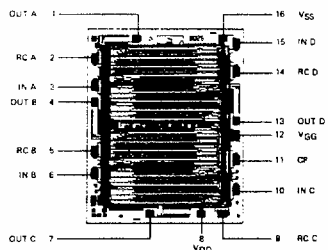


16-Pin Molded



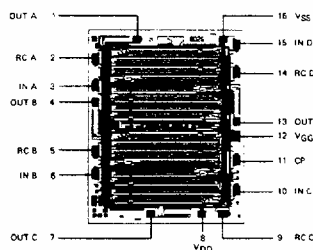
Metalization and Pad Layouts

Am2847



DIE SIZE 0.106" X 0.128"

Am2896



DIE SIZE 0.106" X 0.128"