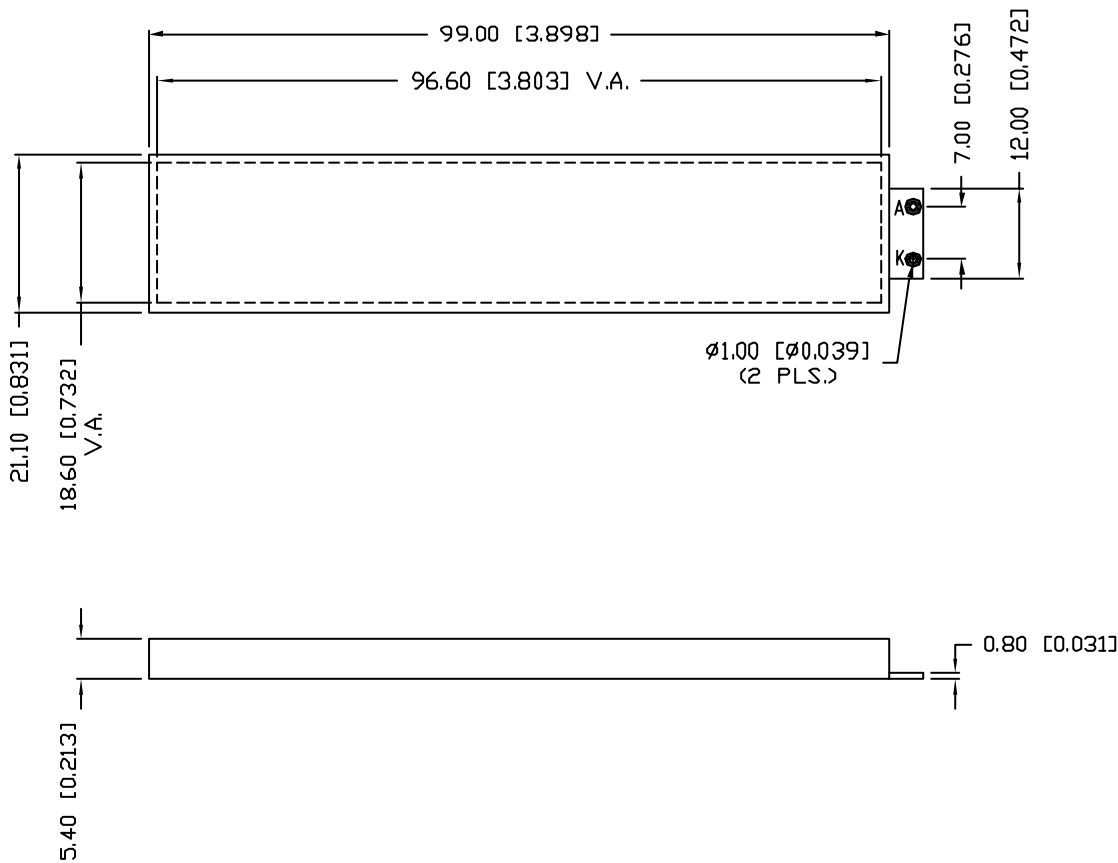


UNCONTROLLED DOCUMENT

PA  
SSB-CO

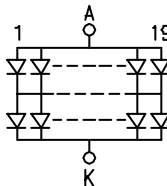


ELECTRO-OPTICAL CHARACTERISTICS

PARAMETER	MIN
PEAK WAVELENGTH	
FORWARD VOLTAGE	
REVERSE VOLTAGE	8
LUMINOUS INTENSITY	
EMITTED COLOR:	GREEN
REFLECTOR FINISH:	WHITE

LIMITS OF SAFE OPERATION AT 25°C

PARAMETER
STEADY CURRENT
POWER DISSIPATION
DERATE FROM 25°C, PER DIE
OPERATING, STORAGE TEMP.
SOLDERING TEMP.
2.0mm FROM BODY



\*UNLESS OTHERWISE SPECIFIED TOLERANCES PER DECIMAL PRECISION ARE: X=±1 (±0.039), X.X=±0.5 (±0.020), X.XX=±0.25 (±0.010), X.XXX=±0.127 (±0.005). LEAD SIZE=±0.05 (±0.002), LEAD LENGTH=±0.127 (±0.005).

REV.

PART NUMBER

SSB-COB9719GW-A

97mm x 19mm VIEW AREA, CHIP ON BOARD LED BACKLIGHT,  
565nm GREEN, 38 CHIPS, 4.2V @ 190mA.

CONFIDENTIAL INFORMATION

THE INFORMATION CONTAINED IN THIS DOCUMENT IS THE PROPERTY OF LUMEX INC. EXCEPT AS SPECIFICALLY AUTHORIZED IN WRITING BY LUMEX INC. THE HOLDER OF THIS DOCUMENT SHALL KEEP ALL INFORMATION CONTAINED HEREIN CONFIDENTIAL AND SHALL PROTECT SAME IN WHOLE OR IN PART FROM DISCLOSURE AND DISSEMINATION TO ALL THIRD PARTIES.

RELIABILITY NOTE

OUR MANY YEARS OF EXPERIENCE DATA ACCUMULATION INDICATE THAT SOLDER HEAT IS A MAJOR CAUSE OF EARLY AND FUTURE FAILURE. PLEASE PAY ATTENTION TO YOUR SOLDERING PROCESS.



DRAWN BY:

JD

CHECKED

UNCONT