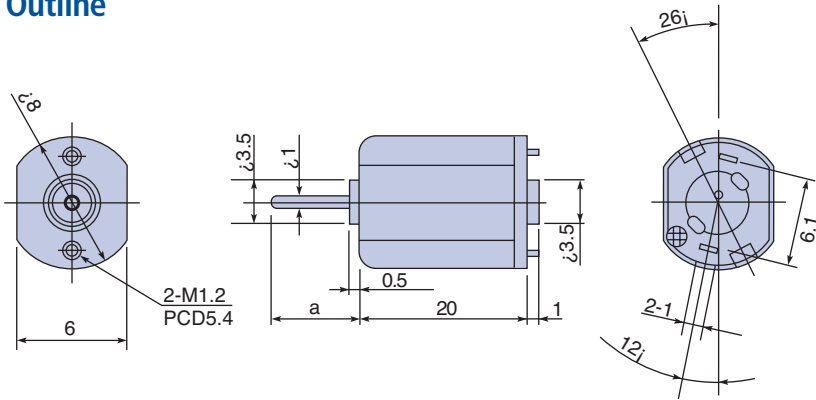


DC

Outline

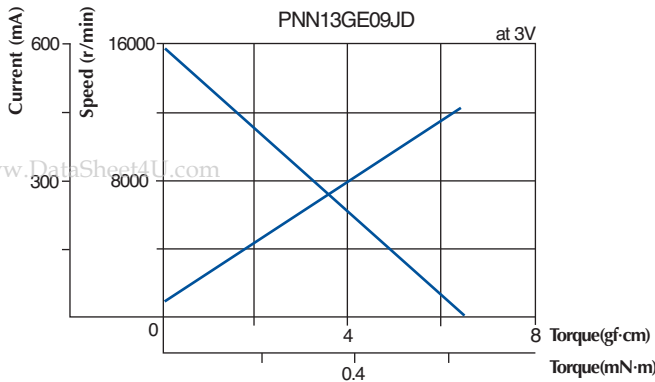
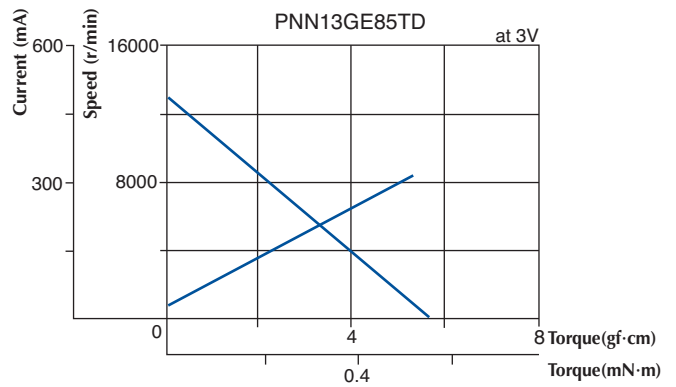
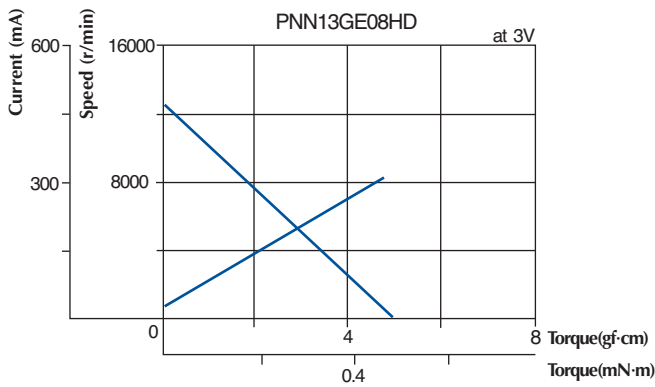


UNIT: mm

Specifications

Model	Operating Voltage (V)	Rated Voltage (V)	No Load Speed (r/min)	No Load Current (mA)	Rated Load		Rated Load Speed (r/min)	Rated Current (mA)	Starting Torque		Note
					(gf·cm)	(mN·m)			(gf·cm)	(mN·m)	
PNN13GE08HD	1.0 to 4.5	3	12500	33	1.5	0.147	8900	119	5.18	0.508	a= 6
PNN13GE85TD	1.0 to 4.5	3	13570	35	1.5	0.147	10010	117	5.72	0.561	a= 5
PNN13GE09JD	1.0 to 4.0	3	15600	43	1.5	0.147	12000	138	6.7	0.657	a=10.5

Characteristics



www.DataSheet4U.com