

## Double-Balanced Mixer

**MY76H/MY76HC**

V3

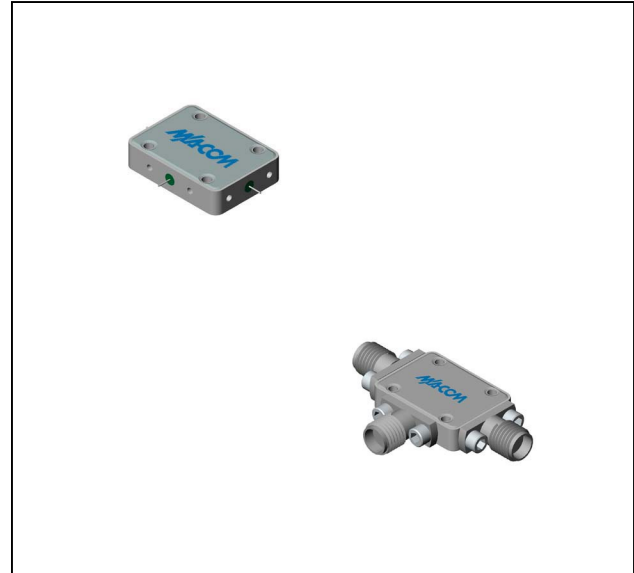
### Features

- LO 2.5 to 11.5 GHz
- RF 4.5 to 9.5 GHz
- IF DC to 2.0 GHz
- LO Drive +20 dBm (nominal)
- High Intercept Point +24 dBm (typ)

### Description

The MY76H is a double balanced mixer, designed for use in military, commercial and test equipment applications. The design utilizes Schottky ring quad diodes and broadband soft dielectric and ferrite baluns to attain excellent performance. This mixer can also be used as a phase detector and/or bi-phase modulator since the IF port is DC coupled to the diodes. The use of high temperature solder and welded assembly processes used internally makes it ideal for use in manual, semi-automated assembly. Environmental screening available to MIL-STD-883, MIL-STD-202, or MIL-DTL-28837, consult factory.

### Product Image



### Ordering Information

Part Number	Package
MY76H	Versapac
MY76HC	SMA Connectorized

### Electrical Specifications: $Z_0 = 50\Omega$ $L_o = +20$ dBm (Downconverter application only)

Parameter	Test Conditions	Units	Typical	Guaranteed	
				+25°C	-54° to +85°C
SSB Conversion Loss (max)	fR = 4.5 to 8 GHz, fL = 2.5 to 10 GHz, fl = 0.03 to 2 GHz fR = 8 to 9 GHz, fL = 6.5 to 10.5 GHz, fl = 0.03 to 1.5 GHz fR = 8 to 9.5 GHz, fL = 6 to 11.5 GHz, fl = 0.03 to 2 GHz	dB	5.5	7.0	7.3
			6.5	8.0	8.3
			8.0	9.5	9.8
SSB Noise Figure (max)	Within 1 dB of conversion loss	dB	—	—	—
Isolation, L to R (min)	fL = 2.5 to 11.5 GHz	dB	35	22	21
Isolation, L to I (min)	fL = 6.5 to 11.5 GHz fL = 2.5 to 6.5 GHz	dB	30	20	19
			22	15	14
1 dB Conversion Comp.	fL = +20 dBm	dBm	+15		
Input IP3	fR1 = 6.12 GHz at 0 dBm, fR2 = 6.18 GHz at 0 dBm, fL = 7.2 GHz at +20 dBm	dBm	+24		

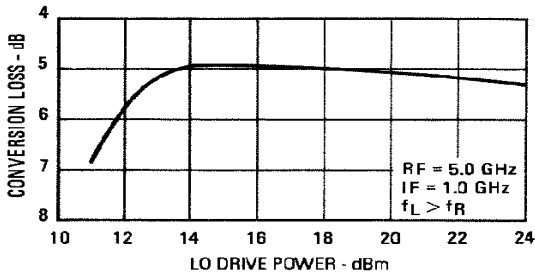
**Double-Balanced Mixer**

**MY76H/MY76HC**

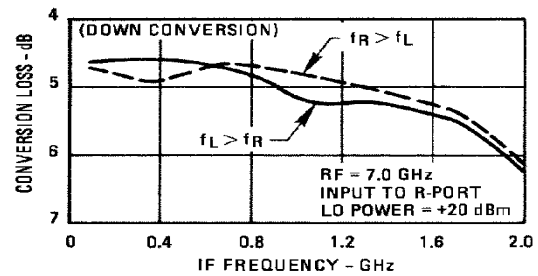
V3

**Typical Performance Curves**

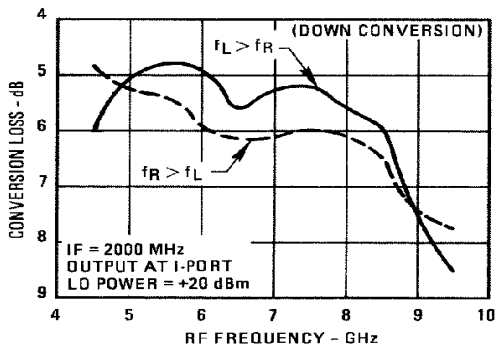
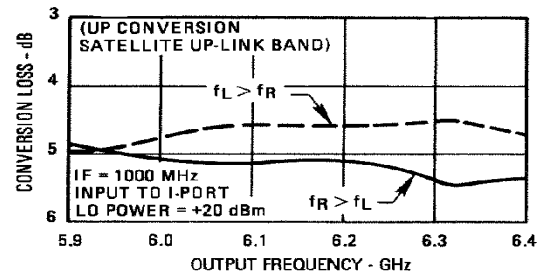
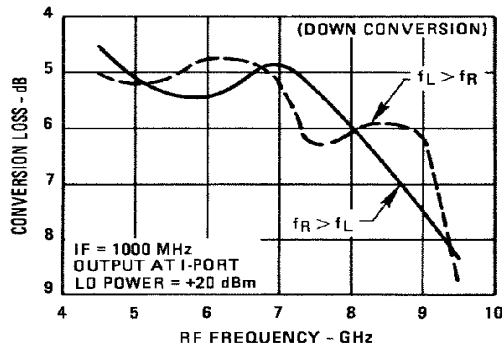
**Conversion Loss vs. LO Drive Power**



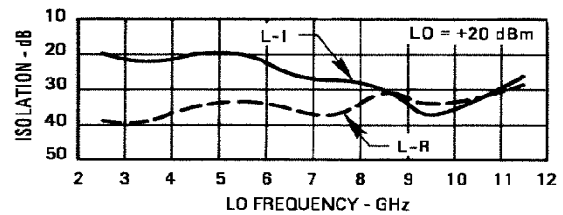
**Conversion Loss**



**Conversion Loss**



**Isolation**



**Double-Balanced Mixer**

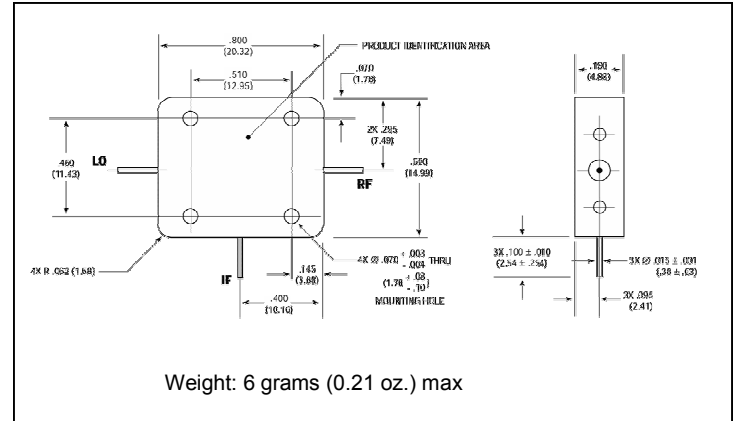
**MY76H/MY76HC**

V3

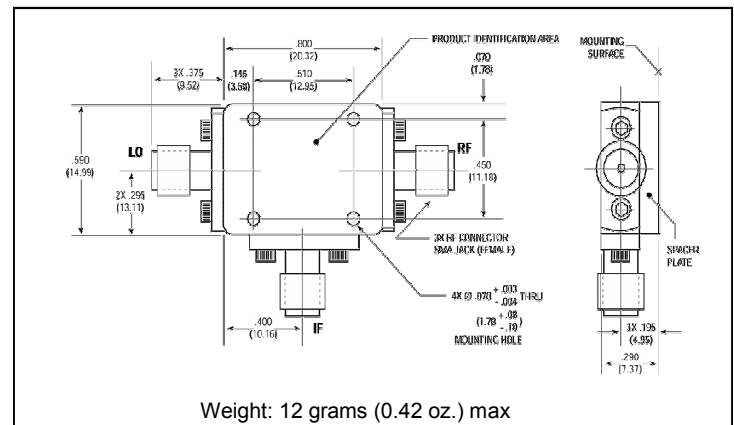
**Absolute Maximum Ratings**

Parameter	Absolute Maximum
Operating Temperature	-54°C to +100°C
Storage Temperature	-65°C to +100°C
Peak Input Power	+25 dBm max @ +25°C +20 dBm max @ +100°C
Peak Input Current	100 mA DC

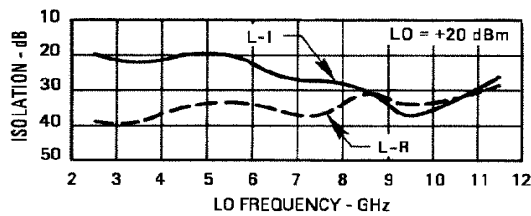
**Outline Drawing: Versapac \***



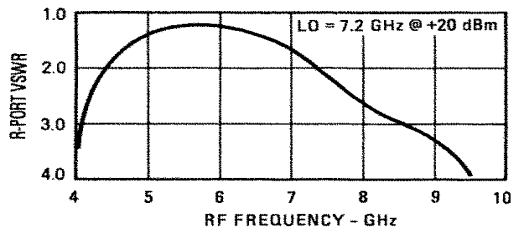
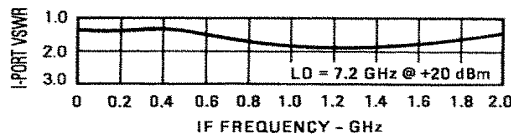
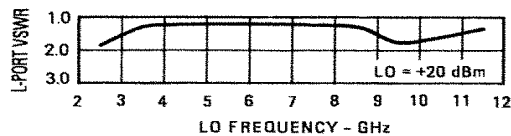
**Outline Drawing: SMA Connectorized \***



**Isolation**



**VSWR**



\* Dimensions are inches (millimeters) ±0.015 (0.38) unless otherwise specified.