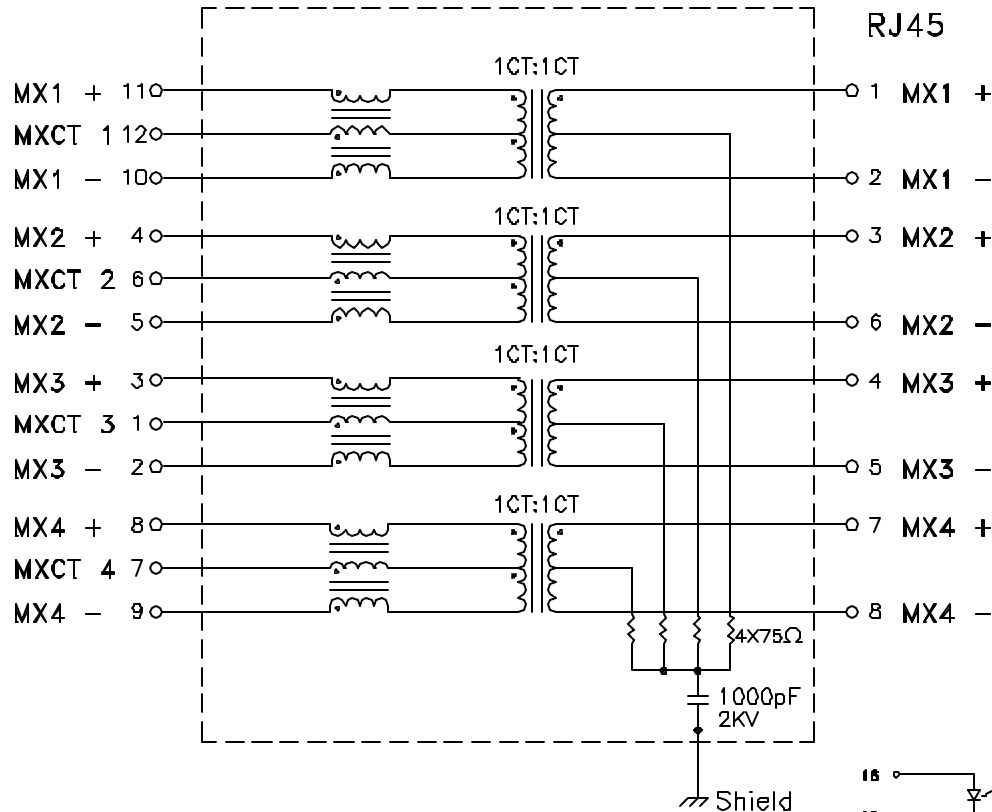


Schematic:



Electrical Specifications: @25°C

Isolation Voltage: 1500 Vrms @60Hz 1MIN
 Common Mode Rejection: @1-50MHz -30dB Typ
 @50-130MHz -20dB Typ
 @130-500MHz -20dB Typ

Crosstalk: @1-10MHz -40dB Typ
 @30-60MHz -35dB Typ
 @60-100MHz -30dB Typ

Insertion Loss: @1-100MHz -1.0dB Typ
 @100-125MHz -1.5dB Max

Return Loss: @1-10MHz -20dB Typ
 @30MHz -16dB Typ
 @60-80MHz -12dB Typ
 @80-100MHz -10dB Typ

Q: 18 Min @100KHz 0.1V

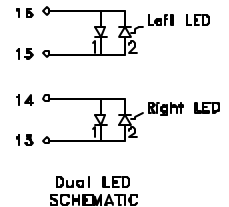
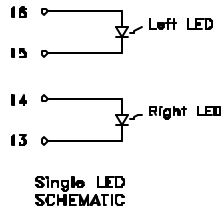
Notes:

- Solderability: Leads shall meet MIL-STD-202G, Method 208H for solderability.
- Flammability: UL94V-D
- ASTM oxygen index: > 28%
- UL Recognized Component: File Number E200238
- Operating Temperature Range: All listed parameters are to be within tolerance from -40°C to +85°C
- Storage Temperature Range: -55°C to +125°C
- Aqueous wash compatible
- Electrical and mechanical specifications 100% tested
- RoHS Compliant Component

DOC. REV: A/5

RJ45

1 MX1 +
 2 MX1 -
 3 MX2 +
 6 MX2 -
 4 MX3 +
 5 MX3 -
 7 MX4 +
 8 MX4 -

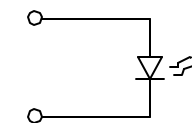


Complete the Combo P/N as follows:

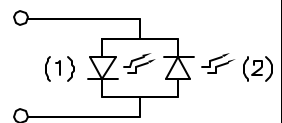
Replace 'x' & 'u' in the part number with one of the LED color letters:

Y=Yellow
 G=Green
 A=Amber
 R=Red
 C=Green(1)/Amber(2) Bicolor
 D=Amber(1)/Green(2) Bicolor
 M=Green(1)/Yellow(2) Bicolor
 N=Yellow(1)/Green(2) Bicolor
 P=Red(1)/Green(2) Bicolor
 Q=Green(1)/Red(2) Bicolor

Single Color LED:



Bi-Color LED:



XFMRs Inc
 www.XFMRs.com

Title:
SINGLE PORT COMBO w/LEDs

UNLESS OTHERWISE SPECIFIED
 TOLERANCES:
 .xxx ±0.010

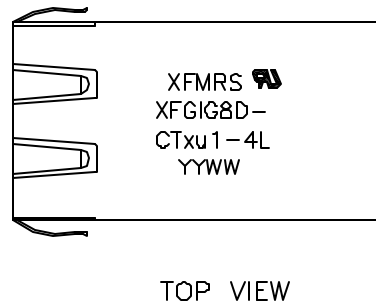
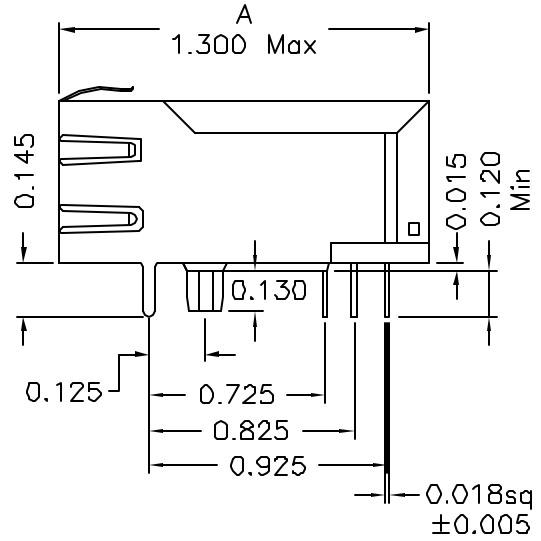
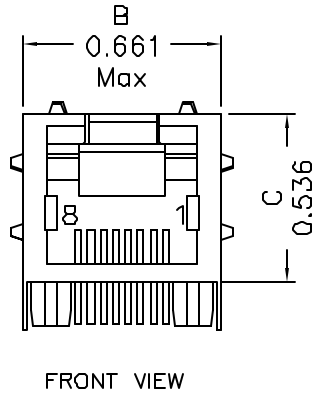
P/N: XFGIG8D-CTxu1-4L	REV. A
DWN.	Mei Chen Jun-25-10
CHK.	YK Liao Jun-25-10
APP.	Joe Huff Jun-25-10

Dimensions in Inch
 SHEET 1 OF 2

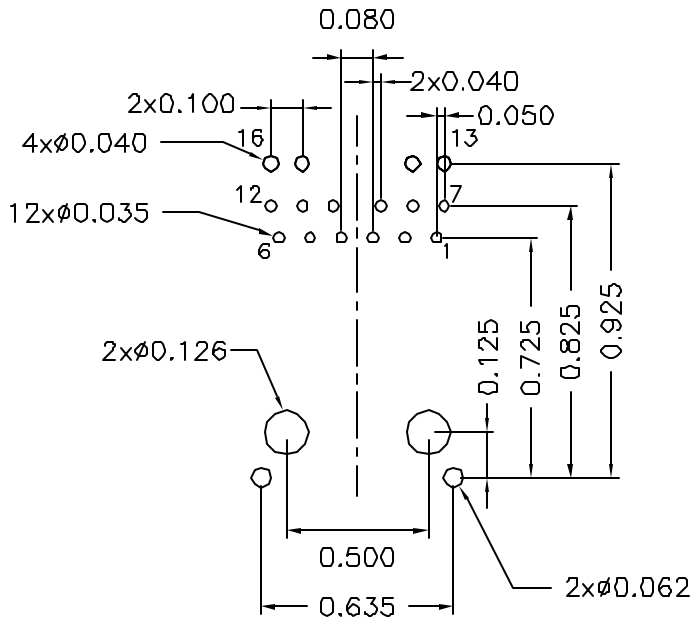
PROPRIETARY:

Document is the property of XFMRs Group & is not allowed to be duplicated without authorization.

Mechanical Dimensions:



Mounting Pattern:



DOC REV: A/5

XFMRS Inc www.XFMRS.com	Title: Mechanical Dimensions For TAB UP RJ45 COMBO		
	UNLESS OTHERWISE SPECIFIED TOLERANCES: .xxx ±0.010 Dimensions in Inch	P/N: XFGIG8D-CTxu1-4L	REV. A
	DWN.	Mei Chen	Jun-25-10
	CHK.	YK Liao	Jun-25-10
SHEET 2 OF 2	APP.	Joe Huff	Jun-25-10

PROPRIETARY:

Document is the property of XFMRS Group & is not allowed to be duplicated without authorization.