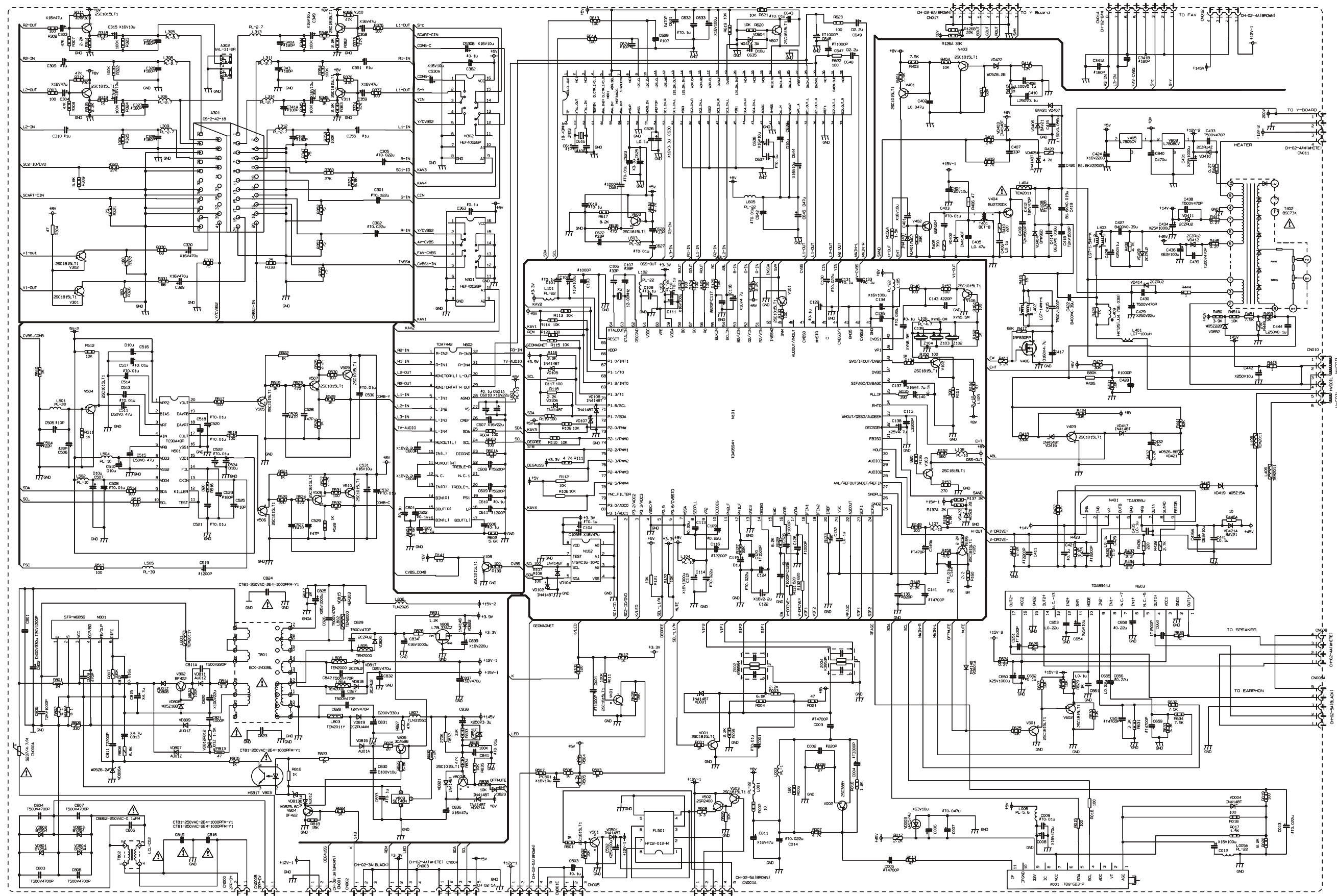



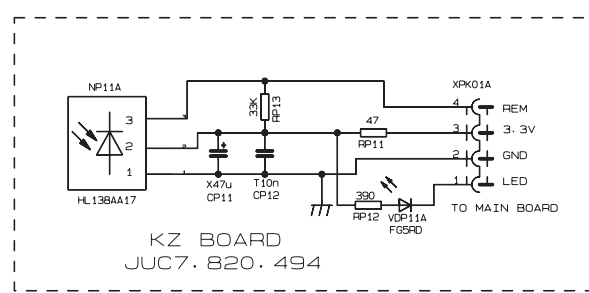
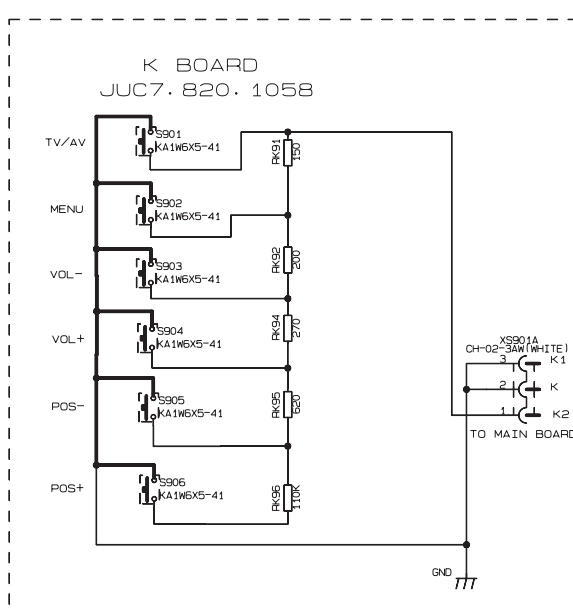
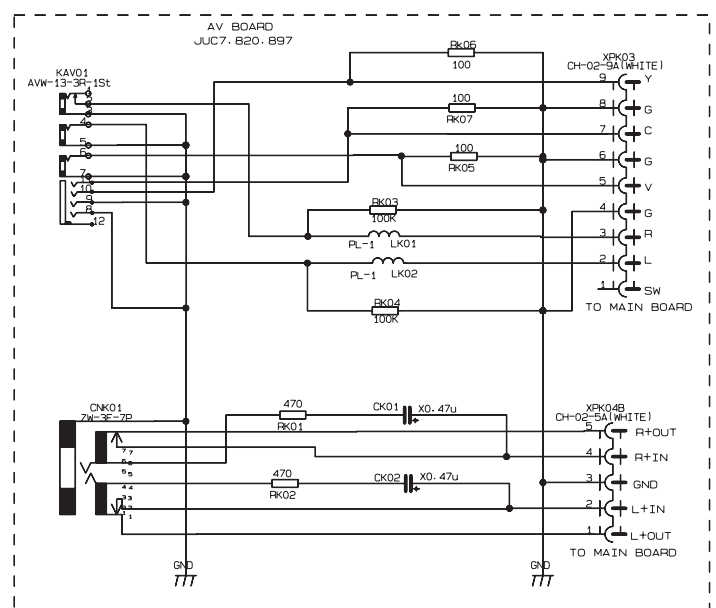
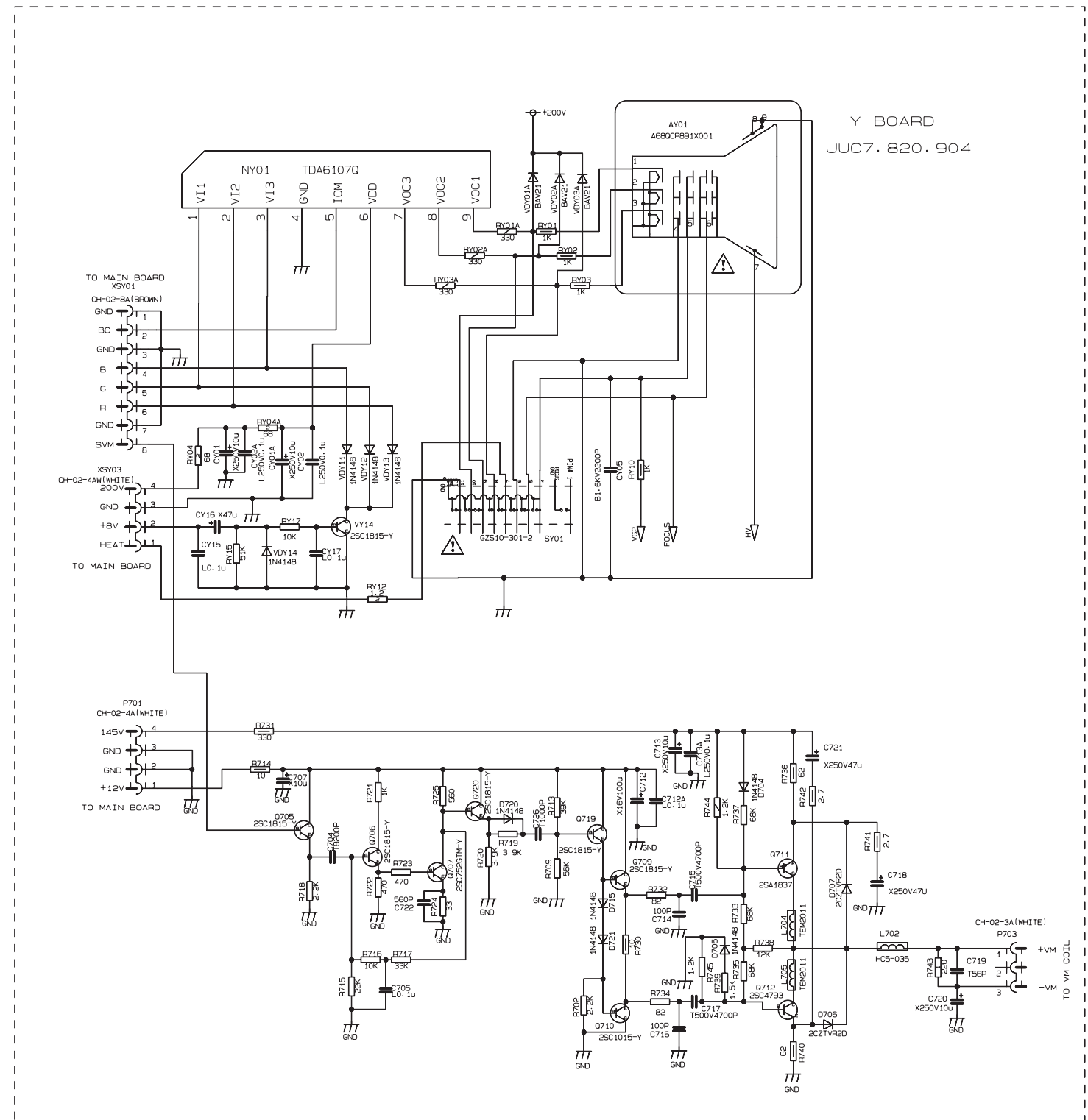
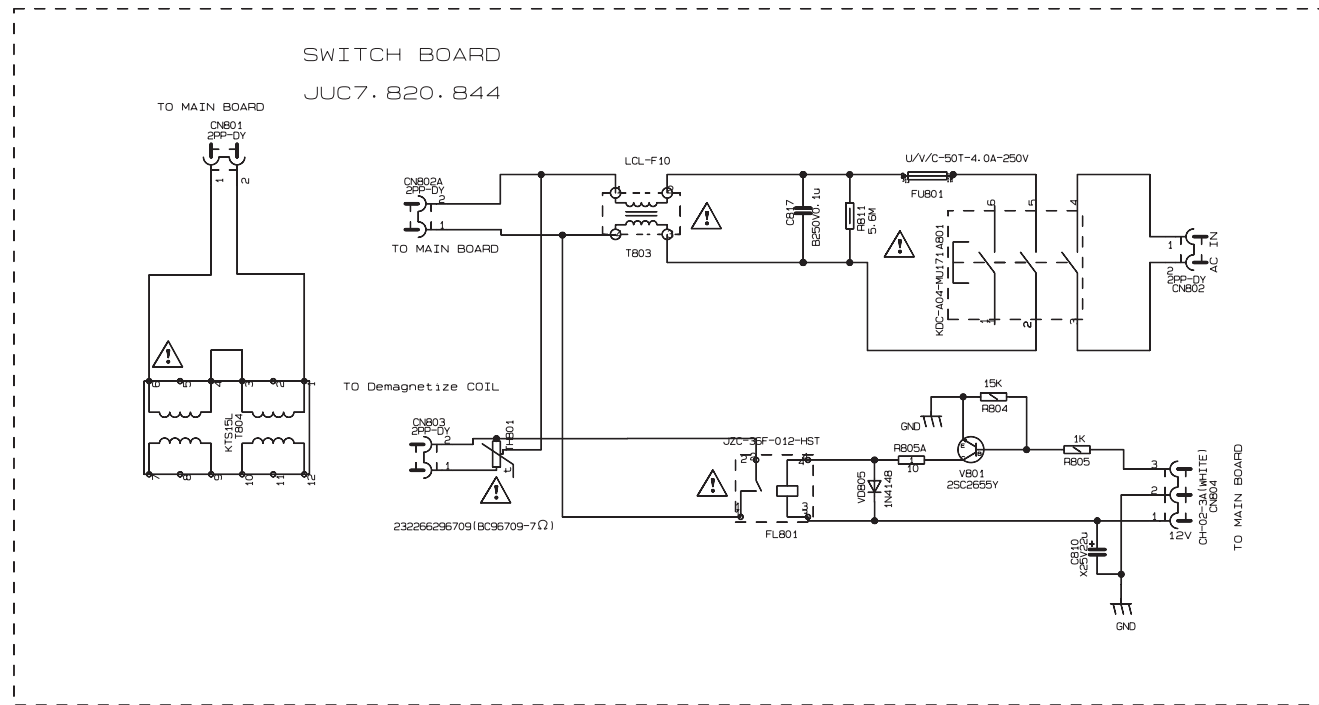
Circuit Diagram for PF25T18/PF29T18 (1)



This circuit diagram is only for reference, specifications are subject to change without reference.
 1. Any components identified by  have special safety-related characteristics. Use replacement

Which have the same characteristics as original parts.
 2.  Cold ground  Hot ground

Circuit Diagram for PF25T18/PF29T18 (2)



This circuit diagram is only for reference, specifications are subject to change without reference.
1. Any components identified by have special safety-related characteristics. Use replacement

Which have the same characteristics as original parts.
2. Cold ground Hot ground