

PLEASE CHECK WWW.MOLEX.COM FOR LATEST PART INFORMATION

Part Number: [0877751101](#)
Status: **Active**
Description: 1.00mm (.039") Pitch DDR2 DIMM Socket, Through Hole, 0.76µm (30µ") Gold (Au), 4.00mm (0.157") Solder tail, 276 Circuits, Lead free

Documents:

[3D Model](#) [Product Specification PS-87775-018 \(PDF\)](#)
[Drawing \(PDF\)](#) [RoHS Certificate of Compliance \(PDF\)](#)

General

Product Family	Memory Module Sockets
Series	87775
Component Type	Socket
JEDEC Outline	N/A
Product Name	DDR2 DIMM

Physical

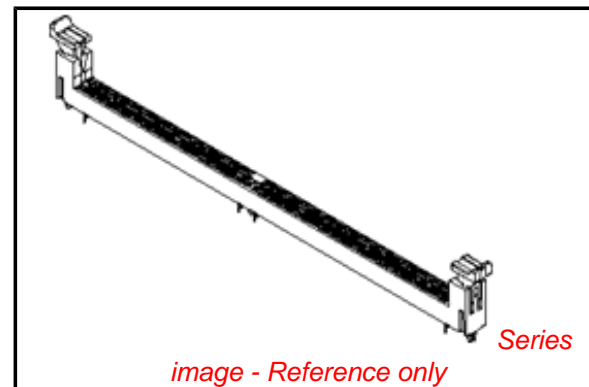
Circuits (Loaded)	276
Circuits (maximum)	276
Color - Resin	Black, Natural
Durability (mating cycles max)	25
Entry Angle	Vertical
Function Key	None
Keying to Mating Part	Yes
Material - Metal	Brass, Phosphor Bronze
Material - Plating Mating	Gold
Material - Plating Termination	Tin
Material - Resin	High Temperature Thermoplastic
PC Tail Length (in)	0.157 In
PC Tail Length (mm)	4.00 mm
PCB Locator	Yes
PCB Retention	Yes
PCB Thickness Recommended (in)	0.118 In
PCB Thickness Recommended (mm)	3.00 mm
Packaging Type	Tray
Pitch - Mating Interface (in)	0.039 In
Pitch - Mating Interface (mm)	1.00 mm
Pitch - Term. Interface (in)	0.039 In
Pitch - Term. Interface (mm)	1.00 mm
Plating min: Mating (µin)	30.4
Plating min: Mating (µm)	0.76
Plating min: Termination (µin)	101.6
Plating min: Termination (µm)	2.54
Temperature Range - Operating	-55°C to +85°C
Termination Interface: Style	Through Hole

Electrical

Current - Maximum per Contact	0.5A
Voltage - Maximum	30V AC (RMS)/DC
Voltage Key	Center

Solder Process Data

Duration at Max. Process Temperature (seconds)	10
Lead-free Process Capability	SMC & Wave Capable (TH only)
Max. Cycles at Max. Process Temperature	1
Process Temperature max. C	260



EU RoHS

ELV and RoHS Compliant
REACH SVHC
 Not Reviewed
Halogen-Free
Status

China RoHS



Not Reviewed
Need more information on product environmental compliance?

Email productcompliance@molex.com
 For a multiple part number RoHS Certificate of Compliance, [click here](#)

Please visit the [Contact Us](#) section for any non-product compliance questions.

Search Parts in this Series
[87775Series](#)

Material Info

Reference - Drawing Numbers

Packaging Specification

Product Specification

Sales Drawing

PK-87775-001

PS-87775-018, RPS-87775-020

SD-87775-002

This document was generated on 05/27/2010

PLEASE CHECK WWW.MOLEX.COM FOR LATEST PART INFORMATION

10 9 8 7 6 5 4 3 2 1

F

E

D

C

B

A

NOTES:

1. MATERIALS

HOUSING - HIGH TEMP. NYLON GLASS FILLED, UL 94V-0,
COLOR: BLACK

EJECTORS - HIGH TEMP. NYLON GLASS FILLED, UL 94V-0,
COLOR: NATURAL (OFF WHITE)

TERMINALS - COPPER ALLOY

2. PLATING - SEE TABLE IN SHEET 5.

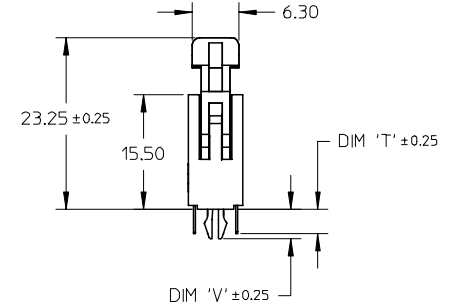
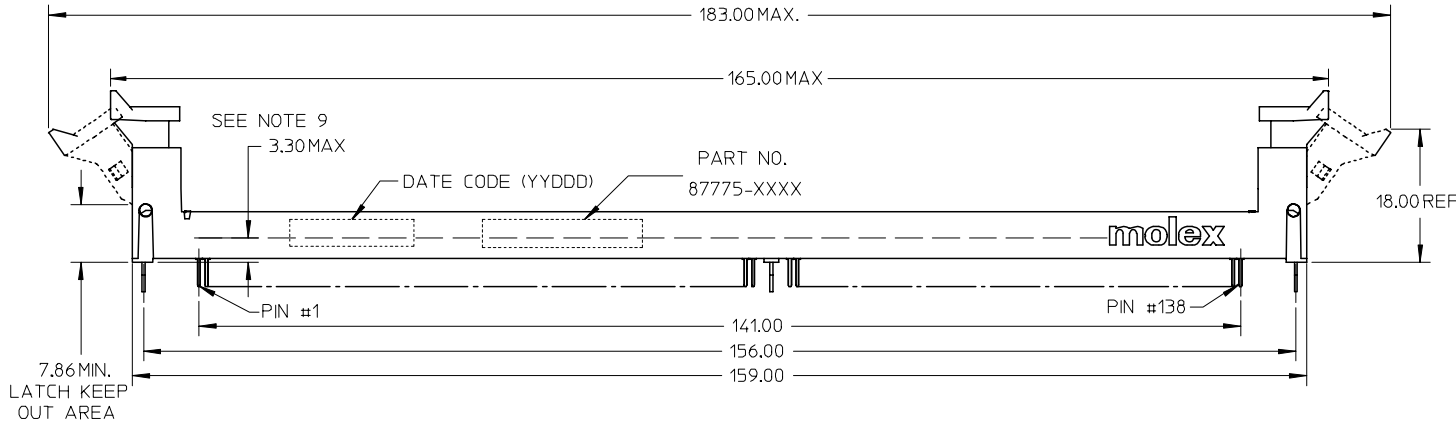
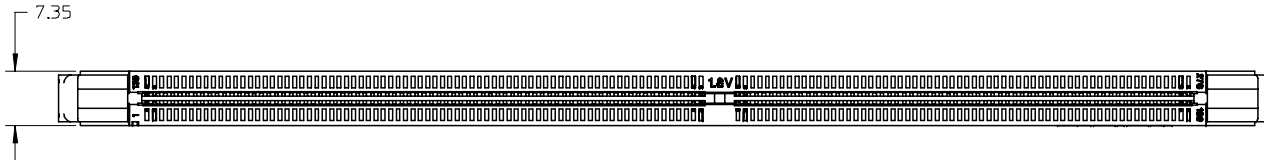
3. CARD SLOT ACCEPTS 1.27±0.10MM MODULE
THICKNESS. (MEASURED OVER P.C. PADS)

4. RECOMMENDED MODULE LAYOUT SHALL BE AS PER SHEET 3.
5. REFER TO PRODUCT SPEC. PS-87775-018 FOR PERFORMANCE
SPECIFICATIONS.

6. PRODUCT IS PACKED IN TRAYS. REFER TO SHEET 6.

7. PRODUCT WILL HAVE DATE STAMPED ON SIDE OF HOUSING.
8. THE KEEP OUT AREA IS THE AREA WHERE THE CONNECTOR
IS MOUNTED ONTO THE PCB THAT DOES NOT INCLUDE THE
LATCH.

9. DIMM MODULE SEATING PLANE FROM TOP OF PCB.



UPDATE HSG VIEW	2007/05/21	DESCRIPTION
EC NO: S2007-1012	2007/05/21	
DRWN:CMTEO	2007/05/21	
CHKD:CCTEH	2007/05/21	
APPR:SHLENI	2007/05/21	
A1	REV	

QUALITY SYMBOLS	▽=0
	∇=0

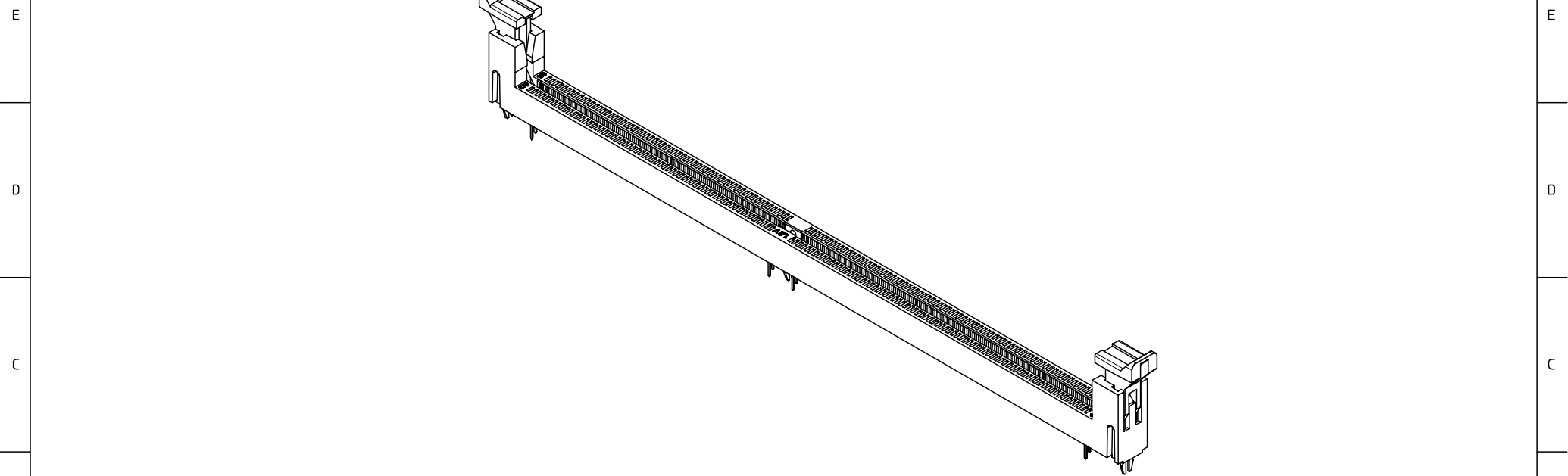
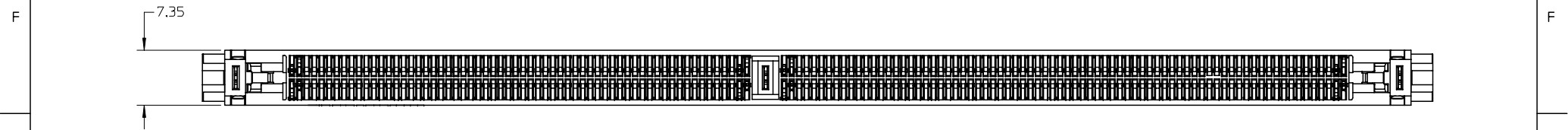
GENERAL TOLERANCES (UNLESS SPECIFIED)		
	mm	INCH
4 PLACES	± ---	± ---
3 PLACES	± ---	± ---
2 PLACES	± 0.20	± ---
1 PLACE	± ---	± ---
ANGULAR ± 5 °		
DRAFT WHERE APPLICABLE MUST REMAIN WITHIN DIMENSIONS		

DIMENSION STYLE	
MM ONLY	
DRAWN BY	DATE
CMTEO	2007/02/23
CHECKED BY	DATE
CCTEH	2007/04/03
APPROVED BY	DATE
SHLENI	2007/04/03
MATERIAL NO.	
SEE TABLE	
SIZE	A3

SCALE	NTS	DESIGN UNITS	METRIC	THIRD ANGLE PROJECTION
TITLE		DDR2 DIMM, 1.00MM PITCH 276 CKTS, VERTICAL T/H FORK-LOCK		
MOLEX INCORPORATED		SHEET NO. 1 OF 6		
DOCUMENT NO.		SD-87775-002		
THIS DRAWING CONTAINS INFORMATION THAT IS PROPRIETARY TO MOLEX INCORPORATED AND SHOULD NOT BE USED WITHOUT WRITTEN PERMISSION				

9 8 7 6 5 4 3 2 1

10 9 8 7 6 5 4 3 2 1



B B

UPDATE HSG VIEW EC NO: S2007-1012 DRWN: CMTEO CHKD: CCTEH APPR: SHLENI	2007/05/21 2007/05/21 2007/05/21	QUALITY SYMBOLS ▽=0 ▽=0	GENERAL TOLERANCES (UNLESS SPECIFIED)		DIMENSION STYLE MM ONLY		SCALE NTS	DESIGN UNITS METRIC	THIRD ANGLE PROJECTION		
			4 PLACES ± --- ± --- 3 PLACES ± --- ± --- 2 PLACES ± 0.20 ± --- 1 PLACE ± --- ± ---	mm INCH	DRAWN BY CMTEO	DATE 2007/02/23	TITLE DDR2 DIMM, 1.00MM PITCH 276 CKTS, VERTICAL T/H FORK-LOCK				
			ANGULAR ± 5 °		CHECKED BY CCTEH	DATE 2007/04/03	MOLEX INCORPORATED				
			DRAFT WHERE APPLICABLE MUST REMAIN WITHIN DIMENSIONS		APPROVED BY SHLENI	DATE 2007/04/03	MATERIAL NO. SEE TABLE	DOCUMENT NO. SD-87775-002	SHEET NO. 2 OF 6		
A1	REV				SIZE A3	THIS DRAWING CONTAINS INFORMATION THAT IS PROPRIETARY TO MOLEX INCORPORATED AND SHOULD NOT BE USED WITHOUT WRITTEN PERMISSION					

9 8 7 6 5 4 3 2 1

10 9 8 7 6 5 4 3 2 1

F

E

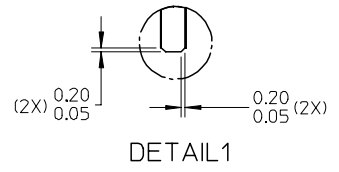
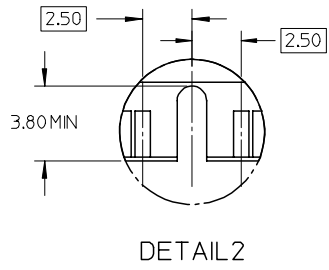
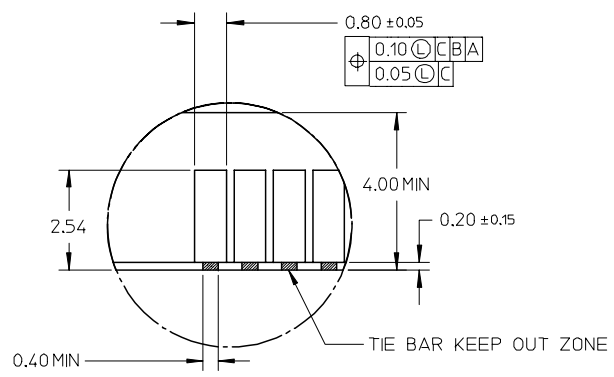
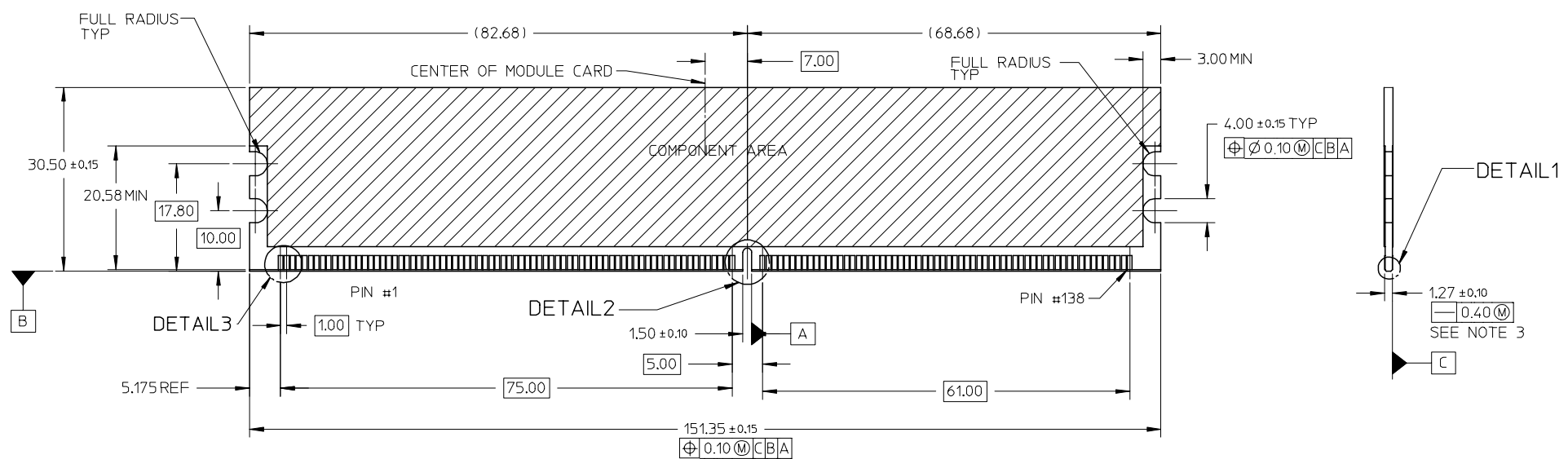
D

C

B

A

RECOMMENDED MODULE LAYOUT



NOTES:
1. MODULE CARD USED FOR TESTS ARE WITH 0.10MM CHAMFER.

UPDATE HSG VIEW EC NO: S2007-1012 DRWN: CMTEO CHKD: CCTEH APPR: SHLENI	2007/05/21 2007/05/21 2007/05/21	QUALITY SYMBOLS ▽=0 ◻=0	GENERAL TOLERANCES (UNLESS SPECIFIED)		DIMENSION STYLE MM ONLY	SCALE NTS	DESIGN UNITS METRIC	THIRD ANGLE PROJECTION		
			4 PLACES ± --- ± --- 3 PLACES ± --- ± --- 2 PLACES ± 0.20 ± --- 1 PLACE ± --- ± --- ANGULAR ± 5 °	mm INCH	DRAWN BY CMTEO	DATE 2007/02/23	TITLE DDR2 DIMM, 100MM PITCH 276 CKTS, VERTICAL T/H FORK-LOCK	CHECKED BY CCTEH	DATE 2007/04/03	MOLEX INCORPORATED
A1	REV	DESCRIPTION	DRAFT WHERE APPLICABLE MUST REMAIN WITHIN DIMENSIONS		SIZE A3	THIS DRAWING CONTAINS INFORMATION THAT IS PROPRIETARY TO MOLEX INCORPORATED AND SHOULD NOT BE USED WITHOUT WRITTEN PERMISSION				

9 8 7 6 5 4 3 2 1

10 9 8 7 6 5 4 3 2 1

F

E

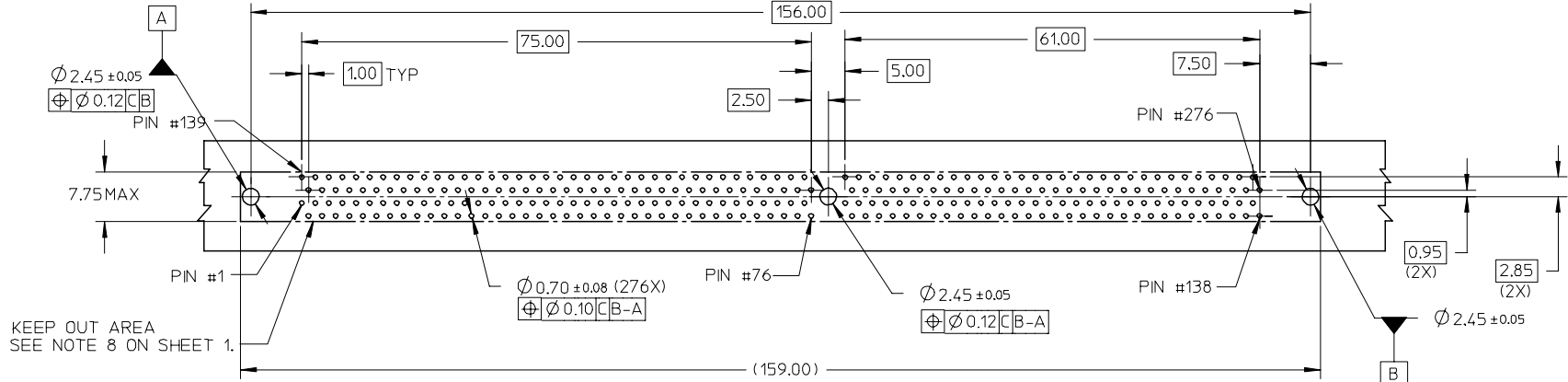
D

C

B

A

RECOMMENDED PCB LAYOUT
CONNECTOR SIDE
(SEE RECOMMENDED PCB THICKNESS IN TABLE)



KEEP OUT AREA
SEE NOTE 8 ON SHEET 1.

C

UPDATE HSG VIEW	2007/05/21
EC NO: S2007-1012	2007/05/21
DRWN:CMTEO	2007/05/21
CHKD:CCTEH	2007/05/21
APPR:SHLENI	2007/05/21
REV	DESCRIPTION
A1	

QUALITY SYMBOLS	▽=0
	∇=0

GENERAL TOLERANCES (UNLESS SPECIFIED)		
	mm	INCH
4 PLACES	± ---	± ---
3 PLACES	± ---	± ---
2 PLACES	± 0.20	± ---
1 PLACE	± ---	± ---
ANGULAR ± 5 °		
DRAFT WHERE APPLICABLE MUST REMAIN WITHIN DIMENSIONS		

DIMENSION STYLE MM ONLY	
DRAWN BY	DATE
CMTEO	2007/02/23
CHECKED BY	DATE
CCTEH	2007/04/03
APPROVED BY	DATE
SHLENI	2007/04/03
MATERIAL NO.	
SEE TABLE	
SIZE	A3

SCALE NTS	DESIGN UNITS METRIC	THIRD ANGLE PROJECTION
TITLE DDR2 DIMM, 1.00MM PITCH 276 CKTS, VERTICAL T/H FORK-LOCK		
MOLEX INCORPORATED		
DOCUMENT NO. SD-87775-002	SHEET NO. 4 OF 6	
THIS DRAWING CONTAINS INFORMATION THAT IS PROPRIETARY TO MOLEX INCORPORATED AND SHOULD NOT BE USED WITHOUT WRITTEN PERMISSION		

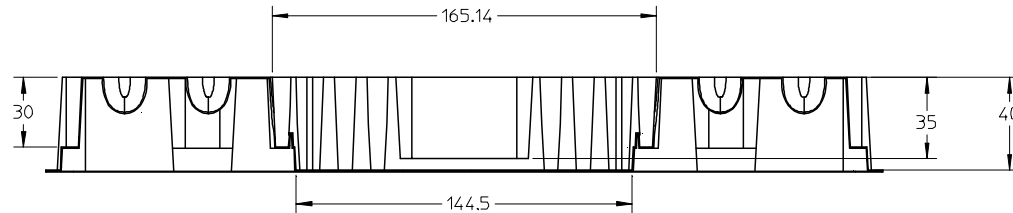
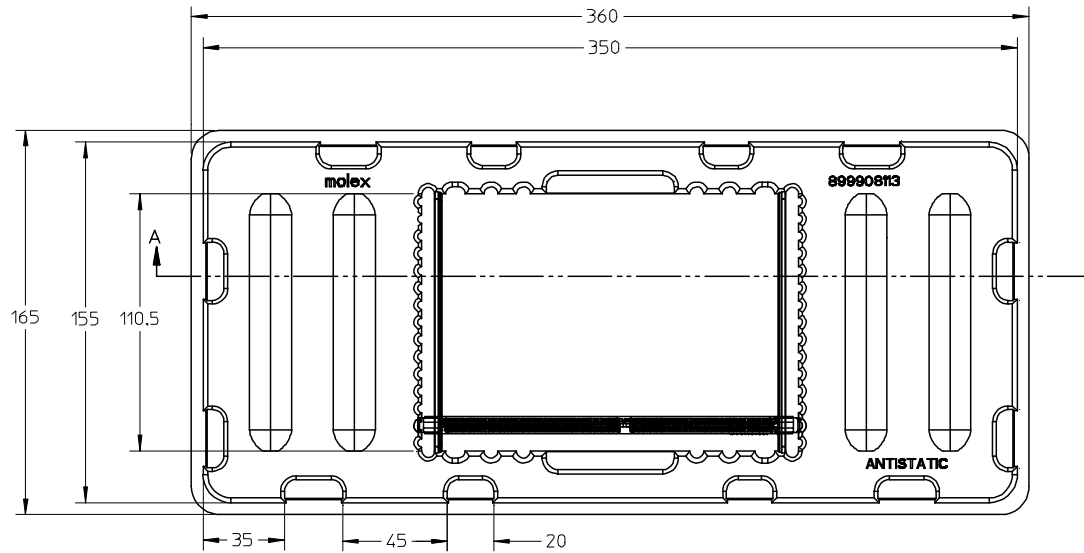
9 8 7 6 5 4 3 2 1

10 9 8 7 6 5 4 3 2 1

PART NO	KEY POS.	DIM 'T'	DIM 'V'	RECOMMENDED PCB THICKNESS	PLATING
87775-1001	CENTER	2.67	3.94	1.57	0.76µM/ 30µIN MIN. GOLD ON CONTACT, 2.54µM/ 100µIN MIN. TIN ON SOLDERTAILS 1.27µM/50µIN MIN. NICKEL UNDERPLATE
87775-1011		3.18		2.36	
87775-1101		4.00	4.42	3.00	

UPDATE HSG VIEW EC NO: S2007-1012 DRWN:CMTEO CHKD:CCTEH APPR:SHLENI	2007/05/21 2007/05/21 2007/05/21	QUALITY SYMBOLS ▽=0 ◻=0	GENERAL TOLERANCES (UNLESS SPECIFIED)		DIMENSION STYLE MM ONLY		SCALE NTS	DESIGN UNITS METRIC	THIRD ANGLE PROJECTION		
			4 PLACES ± --- ± ---	DRAWN BY CMTEO	DATE 2007/02/23	TITLE DDR2 DIMM, 1.00MM PITCH 276 CKTS, VERTICAL T/H FORK-LOCK					
			3 PLACES ± --- ± ---	CHECKED BY CCTEH	DATE 2007/04/03	MOLEX INCORPORATED					
			2 PLACES ± 0.20 ± ---	APPROVED BY SHLENI	DATE 2007/04/03	MATERIAL NO. SEE TABLE	DOCUMENT NO. SD-87775-002	SHEET NO. 5 OF 6			
		1 PLACE ± --- ± ---	ANGULAR ± 5 °		DRAFT WHERE APPLICABLE MUST REMAIN WITHIN DIMENSIONS		THIS DRAWING CONTAINS INFORMATION THAT IS PROPRIETARY TO MOLEX INCORPORATED AND SHOULD NOT BE USED WITHOUT WRITTEN PERMISSION				
A1		REV									

9 8 7 6 5 4 3 2 1



SECTION A-A

NOTE:

1. CAVITY QTY : 1 X 15 = 15PCS.

UPDATE HSG VIEW EC NO: S2007-1012 DRWN:CMTEO CHKD:CCTEH APPR:SHLENI	2007/05/21 2007/05/21 2007/05/21	DESCRIPTION A1	QUALITY SYMBOLS ▽=0 ◻=0	GENERAL TOLERANCES (UNLESS SPECIFIED)		DIMENSION STYLE MM ONLY		SCALE NTS	DESIGN UNITS METRIC	THIRD ANGLE PROJECTION	
					mm	INCH	DRAWN BY CMTEO	DATE 2007/02/23	TITLE DDR2 DIMM, 1.00MM PITCH 276 CKTS, VERTICAL T/H FORK-LOCK		
				4 PLACES ± ---	± ---	CHECKED BY CCTEH	DATE 2007/04/03				
				3 PLACES ± ---	± ---	APPROVED BY SHLENI	DATE 2007/04/03	MATERIAL NO.		DOCUMENT NO.	
2 PLACES ± 0.20	± ---	DRAFT WHERE APPLICABLE MUST REMAIN WITHIN DIMENSIONS		SEE TABLE		SD-87775-002		6 OF 6			
1 PLACE ± ---	± ---										
				ANGULAR ± 5 °				MOLEX INCORPORATED			