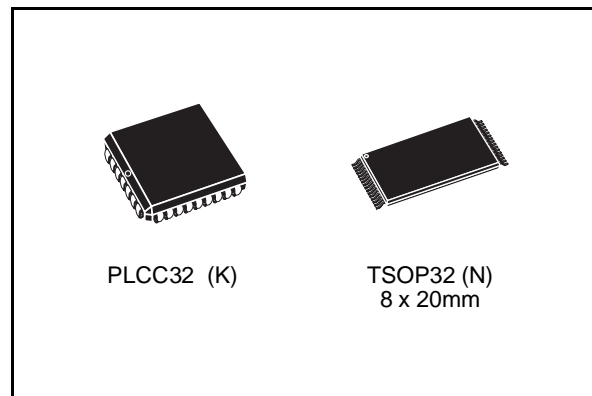


2 Mbit (256Kb x 8) Low Voltage OTP EPROM

DATA BRIEFING

- **LOW VOLTAGE READ OPERATION:**
2.7V to 3.6V
- **FAST ACCESS TIME:**
 - 70ns at $V_{CC} = 3.0V$ to 3.6V
 - 80ns at $V_{CC} = 2.7V$ to 3.6V
- **LOW POWER CONSUMPTION:**
 - Active Current 15mA
 - Standby Current 20 μ A
- **PROGRAMMING VOLTAGE:** 12.75V \pm 0.25V
- **PROGRAMMING TIMES** of AROUND 24sec.
(PRESTO II ALGORITHM)
- **ELECTRONIC SIGNATURE**
 - Manufacturer Code: 20h
 - Device Code: 61h



DESCRIPTION

The M27W201 is a low voltage 2 Mbit EPROM offered in the OTP range (one time programmable). It is ideally suited for microprocessor systems requiring large data or program storage and is organised as 262,144 by 8 bits.

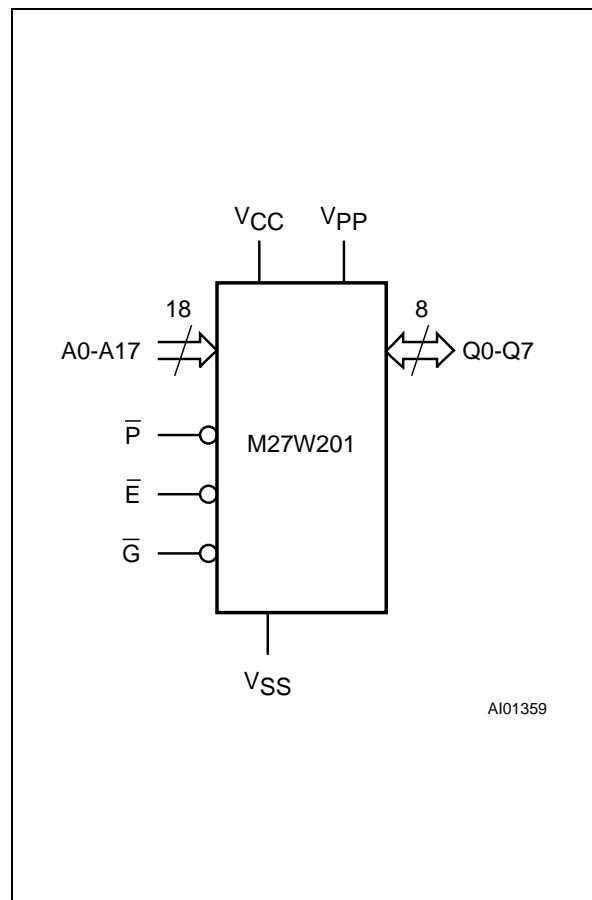
The M27W201 operates in the read mode with a supply voltage as low as 2.7V at -40 to $85^{\circ}C$ temperature range. The decrease in operating power allows either a reduction of the size of the battery or an increase in the time between battery recharges.

The M27W201 is offered in PLCC32 and TSOP32 (8 x 20 mm) packages.

Signal Names

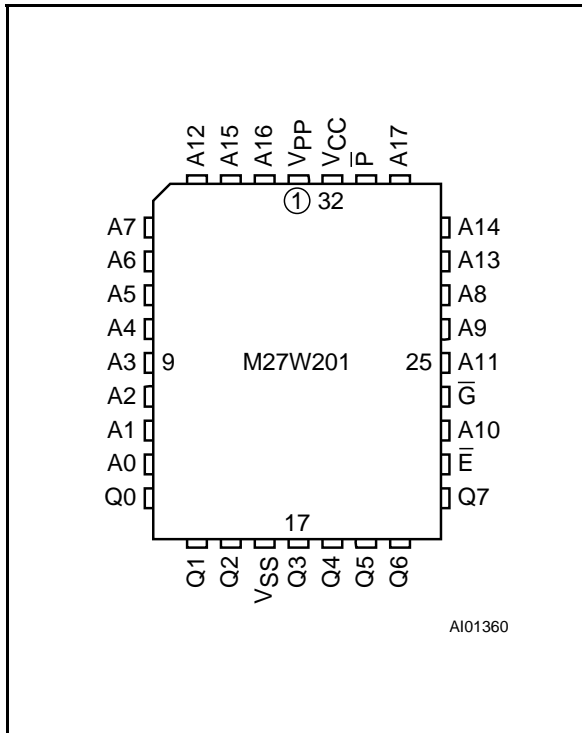
A0-A17	Address Inputs
Q0-Q7	Data Outputs
\bar{E}	Chip Enable
\bar{G}	Output Enable
\bar{P}	Program
V_{PP}	Program Supply
V_{CC}	Supply Voltage
V_{SS}	Ground

Logic Diagram

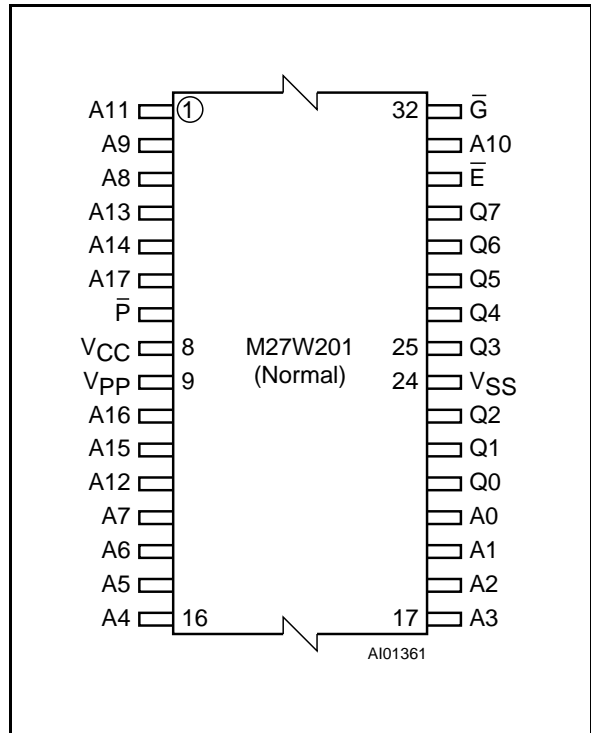


M27W201

LCC Pin Connections

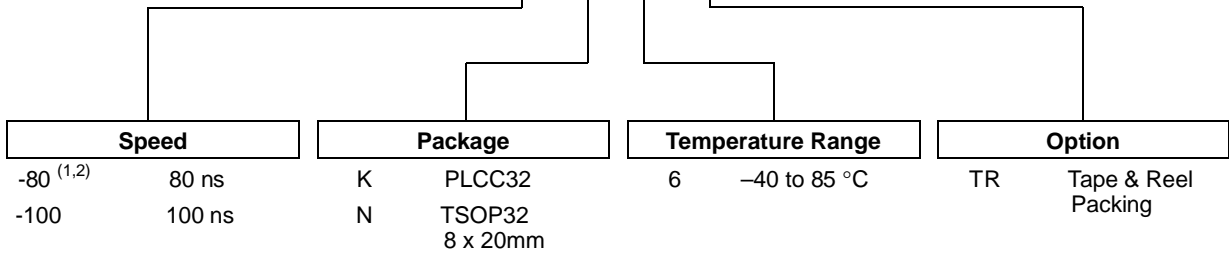


TSOP Pin Connections



ORDERING INFORMATION SCHEME

Example: M27W201 -80 K 6 TR



NOT FOR NEW DESIGN ⁽³⁾

-120	120 ns
-150	150 ns
-200	200 ns

- Notes:** 1. High Speed, see AC Characteristics section for further information.
 2. This speed also guarantees 70ns access time at $V_{CC} = 3.0V$ to $3.6V$.
 3. These speeds are replaced by the 100ns.

For a list of available options (Speed, Package, etc...) or for further information on any aspect of this device, please contact the SGS-THOMSON Sales Office nearest to you.