

DESCRIPTION

The Dual Output Module Ideal for Desktop and Industrial Applications. The LXM1620 Direct Drive™ Cold Cathode Fluorescent Lamp (CCFL) Inverter is a single module designed to drive two lamps and is targeted for use with desktop Liquid Crystal Display (LCD) and industrial LCD panels typically ranging in size from 10.4-inches to 17-inches. This two output inverter is the ideal solution to power virtually any two lamp application.

Direct Drive Technology. The module design is based on a new patented¹ Direct Drive topology, which provides a number of cost and performance advantages. The LXM1620-01 Direct Drive inverters eliminate the classic resonant inductor and capacitors, thus reducing cost and allowing a substantial reduction in module size.

Fixed-Frequency Operation. Other benefits of this new topology are fixed-frequency operation and secondary-side strike-voltage regulation. Strike-voltage regulation minimizes corona discharge in the output transformer and related circuitry, providing longer life and higher reliability.

Fail-safe Feature For Multiple Lamp Applications. Our multi-output inverters are designed to keep your application operating at near normal brightness in the event that a lamp fails.

This allows the display to remain "on-line" until lamp replacement is convenient.

Dual Module Uses Standard Power Supply. The LXM1620 module uses a standard 12V ±10% input supply. It also ensures nominal power consumption with 2 lamps requiring only 8 watts. Lamp current is fully regulated with respect to input voltage and output impedance variations.

Dimming Features. The LXM1620 modules are equipped with a dimming input that permits brightness control from an external potentiometer or DC voltage. In addition, the sleep input reduces module power to a few microwatts in shut down mode. All LXM1620 modules feature both output open and short-circuit protection.

The Most Efficient and Cost-effective Backlight Inverter for Desktop/Industrial Applications. Linfinit's proprietary Direct Drive architecture is the highest efficiency, small form factor solution for all multiple lamp applications. The LXM1620 is fully customizable (electronically and mechanically) to specific customer requirements.

¹US Patent Numbers: 5923129 & 5930121

KEY FEATURES

- Drive Two Lamps With One Module
- Small, Compact Size
- High Efficiency
- Multiple Outputs Provide Easy LCD Connections
- Low EMI And Noise
- Low Power Sleep Mode
- Output Short And Open Circuit Protection
- 3:1 Dimming Control
- Adjustable Lamp Current Up To 6.0mA Per Lamp
- Long Lamp Life With Soft-Start And Accurate Lamp Current Regulation

APPLICATIONS

- Desktop LCD Monitors And Panels
- Industrial LCD Panels
- Hi-Brite Displays

BENEFITS

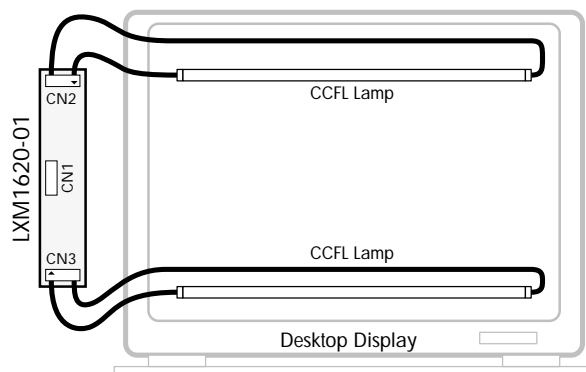
- Cool Operation
- Smooth, Easy-To-Use Brightness Control
- Single 12 Volt Supply

NOTE: For current data & package dimensions, visit our web site: <http://www.linfinit.com>.

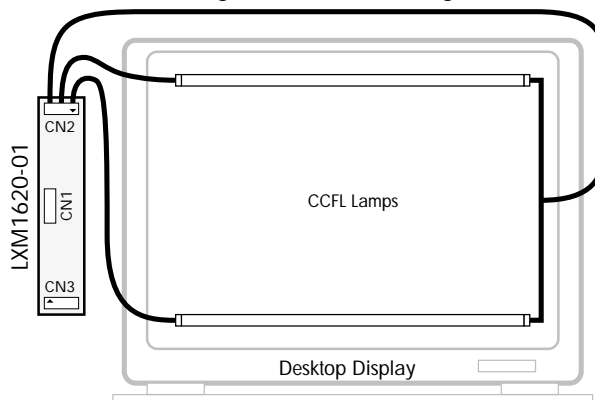
PRODUCT HIGHLIGHT

LXM1620 "UNIVERSAL" MODULE CONNECTION OPTIONS

Dual Connector Configuration



Single Connector Configuration



MODULE ORDER INFORMATION

| Part Number | Lamp Run Voltage | Lamp Current |
|-------------|---------------------------|--------------|
| LXM1620-01 | 500 - 750V _{RMS} | 6mA |
| | | |
| | | |

See LXM1624-12-61

LXM1620-01

DIRECT DRIVE DUAL LAMP CCFL INVERTER MODULE

NOT RECOMMENDED FOR NEW DESIGN
SEE LXM1624-12-61

ABSOLUTE MAXIMUM RATINGS (Note 1)

| | |
|--|--|
| Input Supply Voltage (V_{IN}) | -0.3V to 18V |
| Output Voltage, no load | Internally Limited to 1800V _{RMS} |
| Output Current | 10.0mA _{RMS} (Internally Limited) |
| Output Power (per Lamp) | 6.0W |
| Input Signal Voltage, (SLEEP and BRITE Inputs) | -0.3V to V_{IN} |
| Ambient Operating Temperature | 0°C to 70°C |
| Storage Temperature Range | -40°C to 85°C |

Note 1. Exceeding these ratings could cause damage to the device. All voltages are with respect to Ground. Currents are positive into, negative out of the specified terminal.

RECOMMENDED OPERATING CONDITIONS (R.C.)

This module has been designed to operate over a wide range of input and output conditions. However, best efficiency and performance will be obtained if the module is operated under the condition listed in the R.C. column. Min. and Max. columns indicate values beyond which the inverter, although operational, will not function optimally.

| Parameter | Symbol | Recommended Operating Conditions | | | Units |
|---|--------------------------|----------------------------------|------|------|-------------------|
| | | Min. | R.C. | Max. | |
| Input Supply Voltage Range (Functional) | V_{IN} | 10.2 | 12 | 16 | V |
| Input Supply Voltage (Fully Regulated Lamp Current) | | 10.2 | 12 | 13.8 | V |
| Output Power (per Lamp) | LXM1620-01 P_O | | 4 | 5 | W |
| Brightness Control Input Voltage Range | $V_{BRT ADJ}$ | 0.0 | | 5.0 | V |
| Lamp Operating Voltage | LXM1620-01 V_{LAMP} | 500 | 625 | 750 | V _{RMS} |
| Lamp Current (Full Brightness - per Lamp) | I_{OLAMP} | | 6.0 | | mA _{RMS} |
| Operating Ambient Temperature Range | T_A | 0 | | 70 | °C |

ELECTRICAL CHARACTERISTICS

Unless otherwise specified, these specifications apply over the recommended operating conditions and 25°C ambient temperature for the LXM1620.

| Parameter | Symbol | Test Conditions | LXM1620-xx | | | Units |
|--|------------------|---|------------|------|----------|-------------------|
| | | | Min. | Typ. | Max. | |
| Output Pin Characteristics | | | | | | |
| Full Bright Lamp Current (per Lamp) | $I_{L (MAX)}$ | $V_{BRT ADJ} = 5.0V_{DC}$, SLEEP = HIGH, $V_{IN} = 12V_{DC}$ | 5.4 | 6.0 | 6.6 | mA _{RMS} |
| Minimum Lamp Current (per Lamp) (Note 2) | $I_{L (MIN)}$ | $V_{BRT ADJ} = 0V_{DC}$, SLEEP = HIGH, $V_{IN} = 12V_{DC}$ | | 0.5 | | mA _{RMS} |
| Lamp Start Voltage | V_{LS} | 0°C < T_A < 40°C, $V_{IN} \geq 10.8V_{DC}$ | 1500 | | 1800 | V _{RMS} |
| Operating Frequency | f_O | $V_{BRT ADJ} = 5.0V_{DC}$, SLEEP = HIGH, $V_{IN} = 12V_{DC}$ | 52 | 57 | 62 | KHz |
| BRITE Input | | | | | | |
| Input Current | I_{BRT} | $V_{BRT ADJ} = 0V_{DC}$ | -6 | -8 | -10 | μA _{DC} |
| Input Voltage for Max. Lamp Current | V_C | $I_{O (LAMP)} = 100\%$ | | 5.0 | | V _{DC} |
| Input Voltage for Min. Lamp Current | V_C | $I_{O (LAMP)} = \text{Minimum}$ | | 0 | | V _{DC} |
| SLEEP Input | | | | | | |
| RUN Mode | $V_{SLEEP (HI)}$ | | 2.2 | | V_{IN} | V _{DC} |
| SLEEP Mode | $V_{SLEEP (LO)}$ | | -0.3 | | 0.8 | V _{DC} |
| Input Current | I_{SLEEP} | SLEEP = 5.0V | 60 | 120 | 180 | μA _{DC} |
| Power Characteristics | | | | | | |
| Sleep Current | $I_{IN (MIN)}$ | $V_{IN} = 12V_{DC}$, SLEEP = 0V _{DC} | 0 | 1 | 50 | μA _{DC} |

Note 2. Minimum lamp current required to maintain even light output may vary with display panel.

DIRECT DRIVE DUAL LAMP CCFL INVERTER MODULE

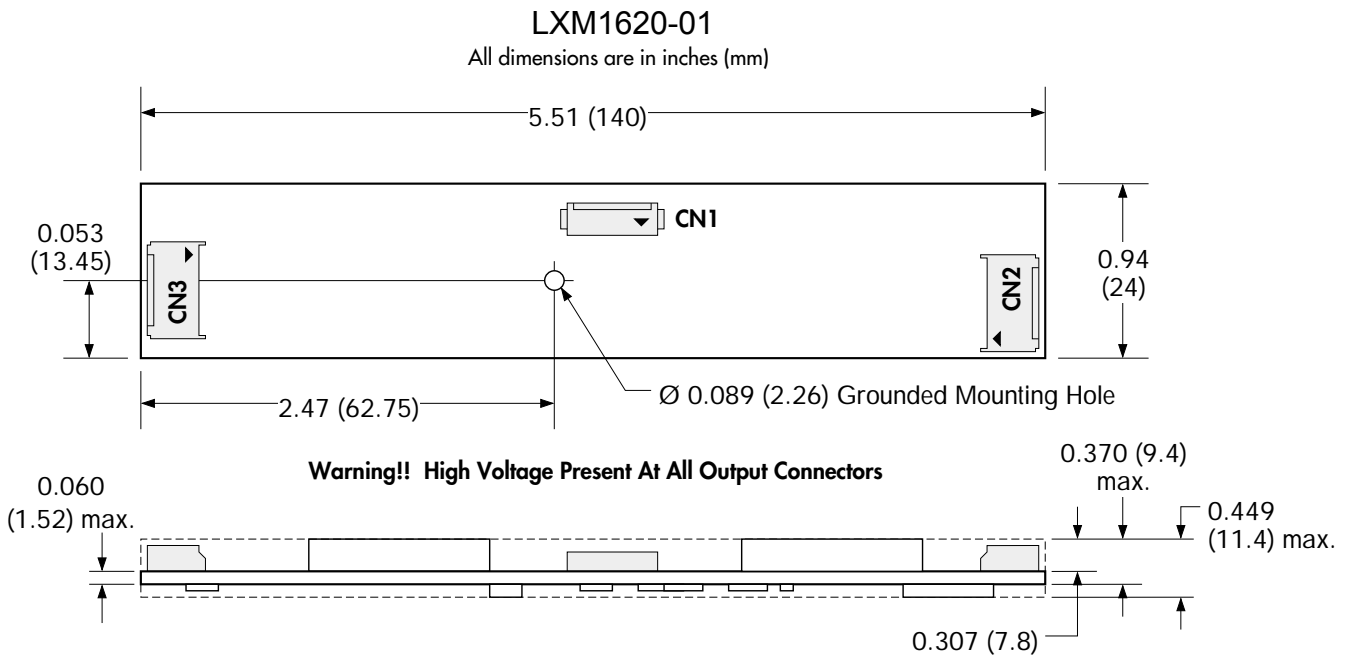
NOT RECOMMENDED FOR NEW DESIGN
SEE LXM1624-12-61

FUNCTIONAL PIN DESCRIPTION

| Conn. | Pin | Description |
|------------|--------------------|---|
| CN1 | | |
| CN1-1, 2 | V_{IN} | Input Power Supply. ($10.2V \leq V_{IN} \leq 16V$) |
| CN1-3, 4 | GND | Power Supply Return. |
| CN1-5 | \overline{SLEEP} | ON/OFF Control. ($2.2V < \overline{SLEEP} < V_{IN} = ON$, $-0.3V < \overline{SLEEP} < 0.8V = OFF$) |
| CN1-6 | BRITE | Brightness Control ($-0.3V$ to $5.0V_{DC}$). $5.0V_{DC}$ gives maximum lamp current. |
| CN1-7, 8 | N.C. | Leave unconnected. |

CN2 and CN3: Refer to Figure 1

PHYSICAL DIMENSIONS



DIRECT DRIVE DUAL LAMP CCFL INVERTER MODULE

NOT RECOMMENDED FOR NEW DESIGN
SEE LXM1624-12-61

CONNECTOR SCHEMATIC

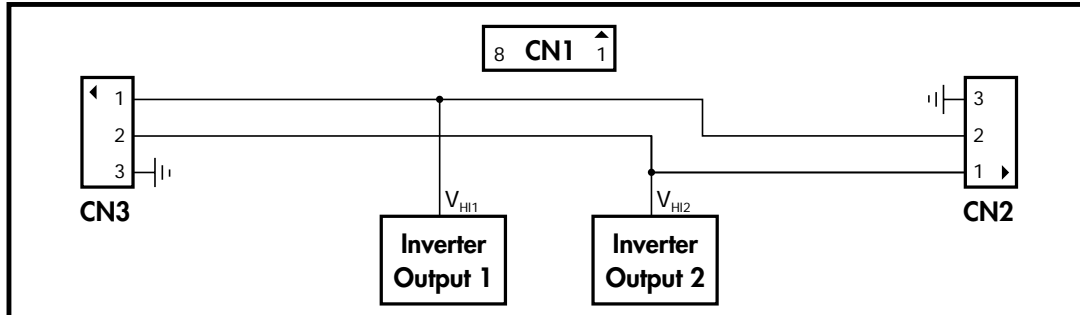


FIGURE 1 — LXM1620-01 Connector Schematic

Connectors:

CN1 = MOLEX 53261-0890

CN2, CN3 = JST SM03(4.0)B-BHS-1-TB

Mates With:

Pins: 50079-8100*, Housing: 51021-0800

* Loose (-8000, Chain) Recommended #26 AWG wiring

JST BHR-03VS-1

Connection Rules

1. Always install two (2) lamps. Operating with only one lamp may overdrive lamp current at maximum brightness settings.
2. Verify lamp wiring before connecting lamps to the inverter module. Connecting both lamps to one of the two inverter output circuits will result in reduced brightness. The LXM1620-01 module connectors are wired per industry standard. The **laphot** wires (high voltage wires) are always on pin 1 or 2, and the **lalcold** wire (low voltage wire) is always on pin 3.

FAILSAFE FEATURE FOR MULTIPLE LAMP OPERATIONS

Our multi-output inverters are designed to keep your application operating at near normal brightness in the event that a lamp fails. This allows the display to remain "on-line" until lamp replacement is convenient.

Linfinity "pairs" the lamps so that if one lamp in the pair breaks, most of its current is added to the good lamp. CCFLs will respond with more brightness for a period of time. Operating time in this mode will be a function of the lamps age but should be typically in the order of hundreds of hours.

This operating characteristic can provide adequate display performance for a limited, but useful period of time. Shortening of the lamp life in this mode is typically not a concern as it is recommended that all lamps in a display be replaced at the same time.

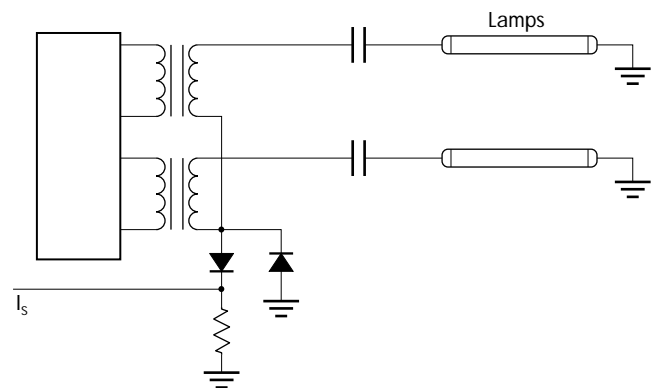


FIGURE 2 — Dual Output Stage

DIRECT DRIVE DUAL LAMP CCFL INVERTER MODULE

NOT RECOMMENDED FOR NEW DESIGN
SEE LXM1624-12-61

DIRECT DRIVE OUTPUT ARCHITECTURE

Direct Drive architecture includes two load feedback control loops to provide uncompromised CCFL ignition and operation characteristics.

Lamp current is regulated in the CCFL return lead (I_{SNS} loop) to insure constant light output with changing lamp parameters and power supply voltage. This also allows accurate and repeatable brightness control. Dimming ratio with the LX1620 analog dimming inverters is typically 6:1 when driving dual LCD lamp panels.

If no current flows in the CCFL return path because of an unstruck or

failed lamp, the inverter applies full strike voltage potential. The output voltage feedback loop (V_{SNS}) takes control and regulates output voltage to $1650V_{RMS}$. This insures the lamp will ignite under worst case temperature and aging conditions.

Because output voltage is actively regulated, it will never exceed component and panel insulation ratings. This prevents destructive corona discharge to insure long term reliability of the system.

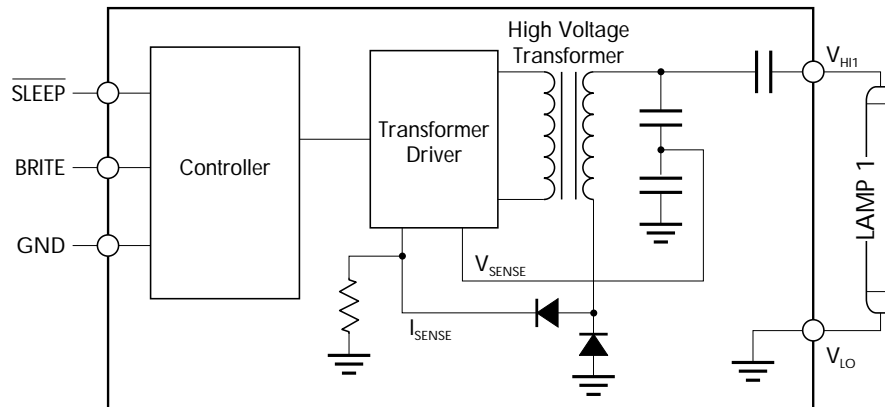


FIGURE 3 — LXM1620 Block Diagram
(Only one lamp shown)

TYPICAL APPLICATIONS

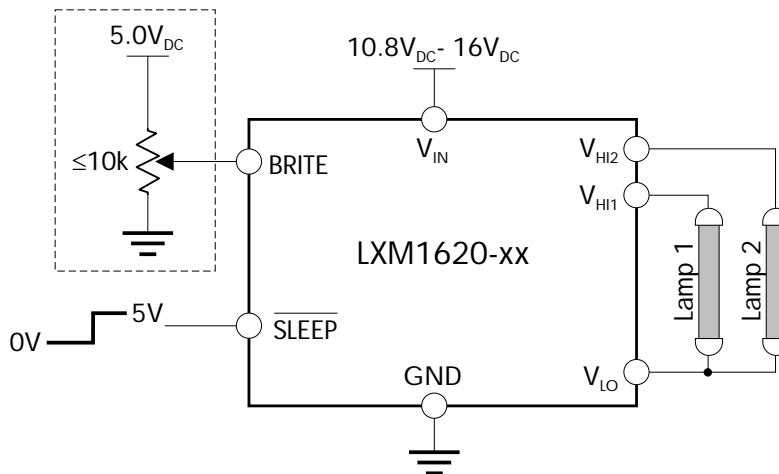


FIGURE 4 — Potentiometer Brightness Control

PRELIMINARY DATA - Information contained in this document is pre-production data, and is proprietary to Linfinity. It may not be modified in any way without the express written consent of Linfinity. Product referred to herein is offered in sample form only, and Linfinity reserves the right to change or discontinue this proposed product at any time.