

PLEASE CHECK WWW.MOLEX.COM FOR LATEST PART INFORMATION

Part Number: [0395281012](#)
Status: **Active**
Description: 5.00mm (.197") Pitch Eurostyle™ Horizontal PCB Dual Level Header, Closed Ends, 12 Circuits

Documents:

[3D Model](#) [Product Specification PS-39500-001 \(PDF\)](#)
[Drawing \(PDF\)](#) [RoHS Certificate of Compliance \(PDF\)](#)

General

| | |
|-----------------------------|---------------------------|
| Product Family | Terminal Blocks |
| Series | 39528 |
| Application | Wire-to-Board |
| Component Type | PCB Header |
| Product Literature Order No | USA-355 |
| Product Name | ESE, Eurostyle™ Pluggable |
| Type | Euro Block |

Physical

| | |
|--------------------------------|-----------------|
| Circuits (Loaded) | 12 |
| Entry Angle | N/A |
| Lock to Mating Part | Yes |
| Number of Rows | 2 |
| Orientation | Horizontal |
| PC Tail Length (in) | 0.197 In |
| PC Tail Length (mm) | 5.00 mm |
| PCB Thickness Recommended (in) | 0.120 In |
| PCB Thickness Recommended (mm) | 5.00 mm |
| Panel Mount | No |
| Pitch - Mating Interface (in) | 0.197 In |
| Pitch - Mating Interface (mm) | 5.00 mm |
| Polarized to Mating Part | Yes |
| Shrouded | Closed Ends |
| Stackable | No |
| Surface Mount Compatible (SMC) | N/A |
| Temperature Range - Operating | -40°C to +105°C |
| Wire Size AWG | N/A |

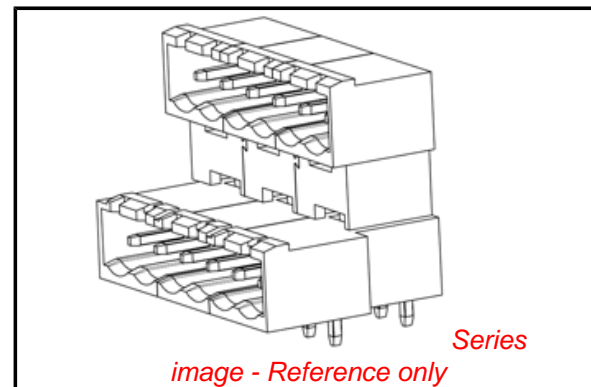
Electrical

| | |
|-------------------------------|------|
| Current - Maximum per Contact | 15A |
| Voltage - Maximum | 300V |

Material Info

Reference - Drawing Numbers

| | |
|-----------------------|--------------|
| Product Specification | PS-39500-001 |
| Sales Drawing | SD-39528-002 |



EU RoHS

ELV and RoHS Compliant
REACH SVHC
 Not Reviewed
Halogen-Free Status

China RoHS



Not Reviewed

Need more information on product environmental compliance?

Email productcompliance@molex.com
 For a multiple part number RoHS Certificate of Compliance, [click here](#)

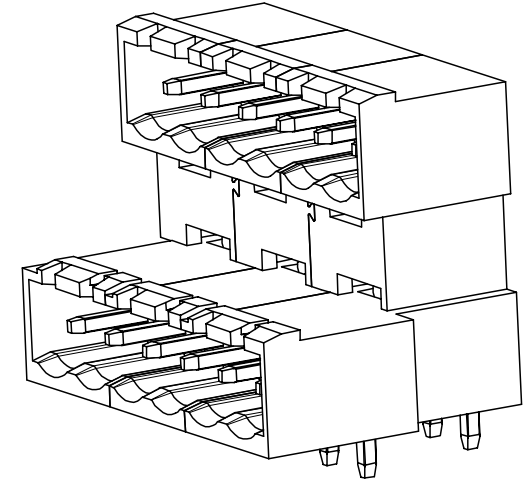
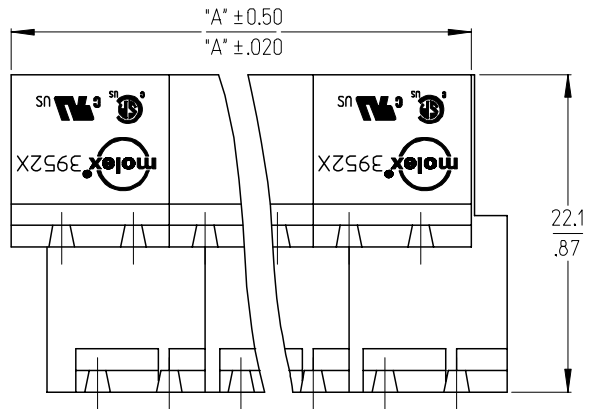
Please visit the [Contact Us](#) section for any non-product compliance questions.

Search Parts in this Series

[39528Series](#)

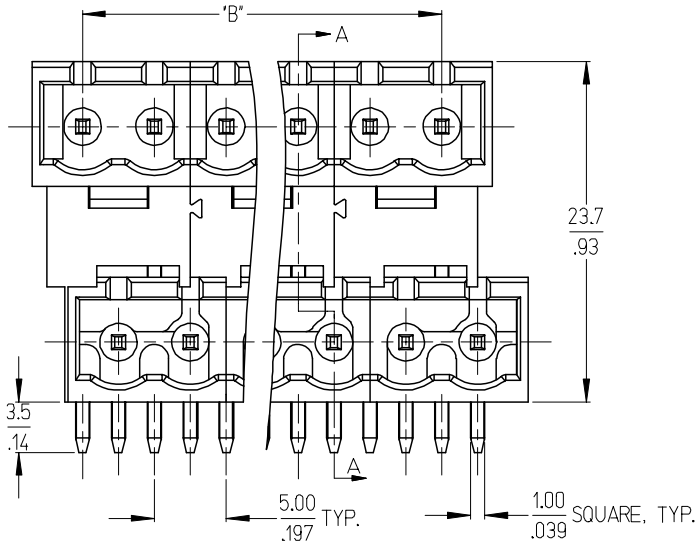
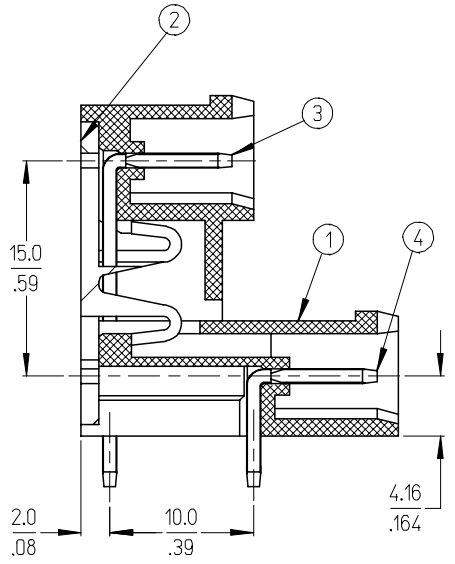
Mates With

[39520](#) Horizontal Plug, [39523](#) Vertical Plug, Most 5.00mm (.197") Pitch Industry Standard Plugs



SPECIFICATIONS:

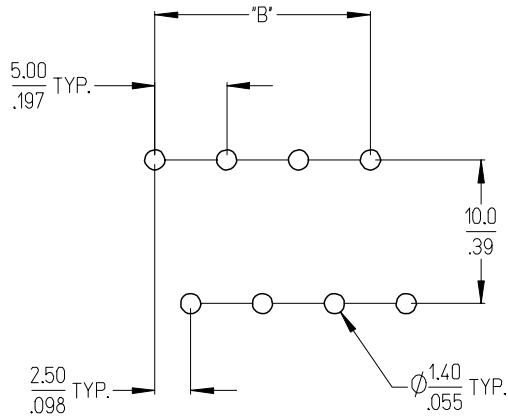
1. MATERIAL:
 - (1) BODY: PA66 (UL 94V-0).
 - (2) COVER: PBT (UL 94V-0).
 - (3) LONG TERMINAL: BRASS.
 - (4) SHORT TERMINAL: BRASS.
2. ELECTRICAL RATING: 300V, 15A.
3. DIELECTRIC WITHSTAND: AC 2500V FOR 1 MINUTE.
4. BREAKDOWN VOLTAGE: 4000V.
5. INSULATION RESISTANCE: DC 1000V, 1000 MEGOHMS.
6. OPERATING TEMPERATURE: -40°C TO +105°C.
7. NUMBER OF CIRCUIT POSITIONS AVAILABLE= 4 THROUGH 48, EVEN NUMBERED CIRCUIT SIZES ONLY.
8. ALL COMPONENTS ARE ROHS COMPLIANT.



SECTION A-A

| | | | | | | | | |
|--|-------------------------------|--|--|-----------------|--|---|--------------|------------------------|
| INITIAL RELEASE EC NO: ETC2007-0020 DRW: C.YORK 2006/07/25 CHKD: J.PAWLICKI 2006/07/25 APPR: J.PAWLICKI 2006/07/26 | QUALITY SYMBOLS ▽=0 ▽=0 | GENERAL TOLERANCES (UNLESS SPECIFIED) | | DIMENSION STYLE | | SCALE | DESIGN UNITS | THIRD ANGLE PROJECTION |
| | | | | MM/IN | | 3:1 | INCH | |
| | | | | DRAWN BY DATE | | TITLE | | |
| | | | | CHECKED BY DATE | | 5.0MM, EURO DUAL HEADER, HORIZONTAL, CLOSED END, STACKABLE | | |
| | | APPROVED BY DATE | | MATERIAL NO. | | DOCUMENT NO. | | SHEET NO. |
| | | ANGULAR ± 2 ° | | SEE SHEET 2 | | SD-39528-002 | | |
| | | DRAFT WHERE APPLICABLE MUST REMAIN WITHIN DIMENSIONS | | SIZE B | | THIS DRAWING CONTAINS INFORMATION THAT IS PROPRIETARY TO MOLEX INCORPORATED AND SHOULD NOT BE USED WITHOUT WRITTEN PERMISSION | | |

| Circuit size | Material Numbers | | | | Dimensional Information | | | |
|--------------|------------------|------------|-----------|------------|-------------------------|-------|--------|-------|
| | Black | | Green | | Dim. A | | Dim B | |
| | 100% Tin | 30 u" Gold | 100% Tin | 30 u" Gold | mm | inch | mm | inch |
| 4 | 395281004 | 395281504 | 395286004 | 395286504 | 12.00 | 0.472 | 5.00 | 0.197 |
| 6 | 395281006 | 395281506 | 395286006 | 395286506 | 17.00 | 0.669 | 10.00 | 0.394 |
| 8 | 395281008 | 395281508 | 395286008 | 395286508 | 22.00 | 0.866 | 15.00 | 0.591 |
| 10 | 395281010 | 395281510 | 395286010 | 395286510 | 27.00 | 1.063 | 20.00 | 0.787 |
| 12 | 395281012 | 395281512 | 395286012 | 395286512 | 32.00 | 1.260 | 25.00 | 0.984 |
| 14 | 395281014 | 395281514 | 395286014 | 395286514 | 37.00 | 1.457 | 30.00 | 1.181 |
| 16 | 395281016 | 395281516 | 395286016 | 395286516 | 42.00 | 1.654 | 35.00 | 1.378 |
| 18 | 395281018 | 395281518 | 395286018 | 395286518 | 47.00 | 1.850 | 40.00 | 1.575 |
| 20 | 395281020 | 395281520 | 395286020 | 395286520 | 52.00 | 2.047 | 45.00 | 1.772 |
| 22 | 395281022 | 395281522 | 395286022 | 395286522 | 57.00 | 2.244 | 50.00 | 1.969 |
| 24 | 395281024 | 395281524 | 395286024 | 395286524 | 62.00 | 2.441 | 55.00 | 2.165 |
| 26 | 395281026 | 395281526 | 395286026 | 395286526 | 67.00 | 2.638 | 60.00 | 2.362 |
| 28 | 395281028 | 395281528 | 395286028 | 395286528 | 72.00 | 2.835 | 65.00 | 2.559 |
| 30 | 395281030 | 395281530 | 395286030 | 395286530 | 77.00 | 3.031 | 70.00 | 2.756 |
| 32 | 395281032 | 395281532 | 395286032 | 395286532 | 82.00 | 3.228 | 75.00 | 2.953 |
| 34 | 395281034 | 395281534 | 395286034 | 395286534 | 87.00 | 3.425 | 80.00 | 3.150 |
| 36 | 395281036 | 395281536 | 395286036 | 395286536 | 92.00 | 3.622 | 85.00 | 3.346 |
| 38 | 395281038 | 395281538 | 395286038 | 395286538 | 97.00 | 3.819 | 90.00 | 3.543 |
| 40 | 395281040 | 395281540 | 395286040 | 395286540 | 102.00 | 4.016 | 95.00 | 3.740 |
| 42 | 395281042 | 395281542 | 395286042 | 395286542 | 107.00 | 4.213 | 100.00 | 3.937 |
| 44 | 395281044 | 395281544 | 395286044 | 395286544 | 112.00 | 4.409 | 105.00 | 4.134 |
| 46 | 395281046 | 395281546 | 395286046 | 395286546 | 117.00 | 4.606 | 110.00 | 4.331 |
| 48 | 395281048 | 395281548 | 395286048 | 395286548 | 122.00 | 4.803 | 115.00 | 4.528 |



RECOMMENDED PCB LAYOUT

| | | | | | | | | |
|--|-------------------------------|---------------------------------------|------------|---|------------|---|------------------------|--|
| SEE SHEET 1 EC NO: ETC2007-0020 DRWN: C. YORK 2006/07/25 CHKD: J. PAWLICKI 2006/07/25 APPR: J. PAWLICKI 2006/07/26 | QUALITY SYMBOLS ▽=0 ▽=0 | GENERAL TOLERANCES (UNLESS SPECIFIED) | | DIMENSION STYLE | SCALE | DESIGN UNITS | THIRD ANGLE PROJECTION | |
| | | mm | INCH | MM/IN | 3:1 | INCH | | |
| | | 4 PLACES ± --- | ± --- | DRAWN BY | DATE | TITLE 5.0MM, EURO DUAL HEADER, HORIZONTAL, CLOSED END, STACKABLE | | |
| | | 3 PLACES ± --- | ± .005 | C. YORK | 2006/07/24 | | | |
| 2 PLACES ± 0.13 | ± .01 | CHECKED BY | DATE | MOLEX INCORPORATED | | | | |
| 1 PLACE ± 0.3 | ± --- | J. PAWLICKI | 2006/07/24 | | | | | |
| ANGULAR ± 2 ° | | APPROVED BY | DATE | DOCUMENT NO. SD-39528-002 | | | | |
| DRAFT WHERE APPLICABLE MUST REMAIN WITHIN DIMENSIONS | | J. PAWLICKI | 2006/07/24 | | | | | |
| MATERIAL NO. SEE CHART | | SHEET NO. 2 OF 2 | | THIS DRAWING CONTAINS INFORMATION THAT IS PROPRIETARY TO MOLEX INCORPORATED AND SHOULD NOT BE USED WITHOUT WRITTEN PERMISSION | | | | |