

PLEASE CHECK WWW.MOLEX.COM FOR LATEST PART INFORMATION

Part Number: [0395280004](#)
Status: **Active**
Description: 5.00mm (.197") Pitch Eurostyle™ Horizontal PCB Dual Level Header, Open Ends, 4 Circuits

Documents:

[3D Model](#) [Product Specification PS-39500-001 \(PDF\)](#)
[Drawing \(PDF\)](#) [RoHS Certificate of Compliance \(PDF\)](#)

General

Product Family	Terminal Blocks
Series	39528
Application	Wire-to-Board
Component Type	PCB Header
Product Literature Order No	USA-355
Product Name	ESE, Eurostyle™ Pluggable
Type	Euro Block

Physical

Circuits (Loaded)	4
Entry Angle	N/A
Lock to Mating Part	Yes
Number of Rows	2
Orientation	Horizontal
PC Tail Length (in)	0.197 In
PC Tail Length (mm)	5.00 mm
PCB Thickness Recommended (in)	0.120 In
PCB Thickness Recommended (mm)	5.00 mm
Panel Mount	No
Pitch - Mating Interface (in)	0.197 In
Pitch - Mating Interface (mm)	5.00 mm
Polarized to Mating Part	Yes
Shrouded	Open Ends
Stackable	Yes
Surface Mount Compatible (SMC)	N/A
Temperature Range - Operating	-40°C to +105°C
Wire Size AWG	N/A

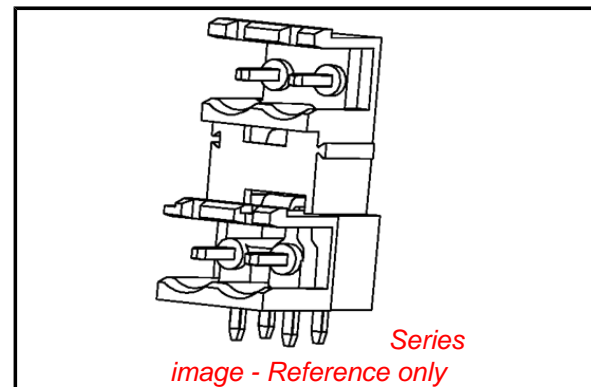
Electrical

Current - Maximum per Contact	15A
Voltage - Maximum	300V

Material Info

Reference - Drawing Numbers

Product Specification	PS-39500-001
Sales Drawing	SD-39528-001



EU RoHS

**ELV and RoHS
Compliant**
REACH SVHC
 Not Reviewed
**Halogen-Free
Status**

China RoHS



Not Reviewed

**Need more information on product
environmental compliance?**

Email productcompliance@molex.com
 For a multiple part number RoHS Certificate of Compliance, [click here](#)

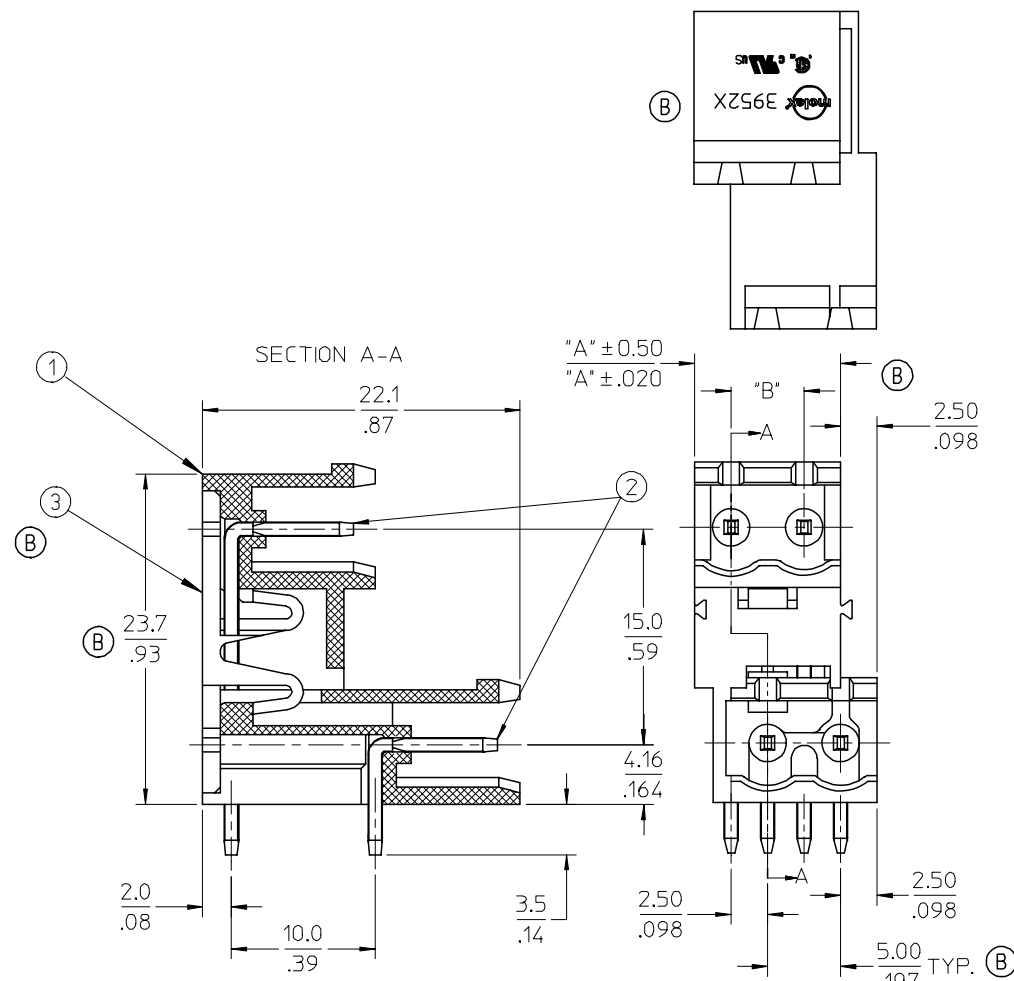
Please visit the [Contact Us](#) section for any non-product compliance questions.

Search Parts in this Series

[39528Series](#)

Mates With

[39520](#) Horizontal Plug, [39523](#) Vertical Plug, Most 5.00mm (.197") Pitch Industry Standard Plugs

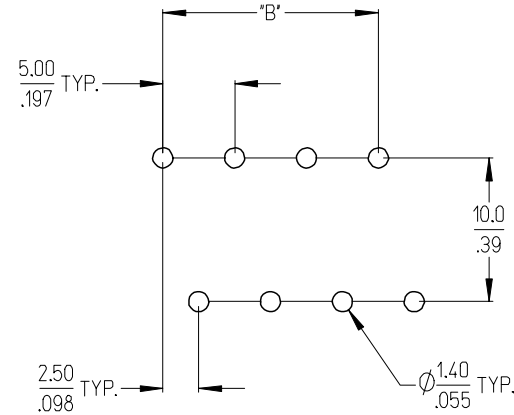


(B) SPECIFICATIONS:

1. MATERIAL:
 - (1) BODY: PA66 (UL 94V-0).
 - (2) PIN: BRASS.
 - (3) COVER: PBT (UL 94V-0).
2. ELECTRICAL RATING: 300V, 15A.
3. DIELECTRIC WITHSTAND: AC 2500V FOR 1 MINUTE.
4. BREAKDOWN VOLTAGE: 4000V.
5. INSULATION RESISTANCE: DC 1000V, 1000 MEGOHMS.
6. OPERATING TEMPERATURE: -40°C TO +105°C.
7. NUMBER OF CIRCUIT POSITIONS AVAILABLE= 4 THROUGH 48, EVEN NUMBERED CIRCUIT SIZES ONLY.
8. ALL COMPONENTS ARE ROHS COMPLIANT.

REVISED/VOID # EC NO: ETC2007-0020 DRWN: CYORK 2006/07/25 CHKD: JPWLCKI 2006/07/25 APPR: JPWLCKI 2006/07/26	DESCRIPTION QUALITY SYMBOLS ▽=0 ▽=0	GENERAL TOLERANCES (UNLESS SPECIFIED)		DIMENSION STYLE	SCALE	DESIGN UNITS	THIRD ANGLE PROJECTION	
				MM/IN	3:1	INCH		
				DRAWN BY	DATE	TITLE		
				CHECKED BY	DATE	5.0MM, EURO DUAL HEADER, HORIZONTAL, OPEN END, STACKABLE		
		APPROVED BY		DATE	MOLEX INCORPORATED			
		MATERIAL NO.		DATE	DOCUMENT NO.			
		SEE SHEET 2		2006/01/10	SD-39528-001			
		DRAFT WHERE APPLICABLE MUST REMAIN WITHIN DIMENSIONS		THIS DRAWING CONTAINS INFORMATION THAT IS PROPRIETARY TO MOLEX INCORPORATED AND SHOULD NOT BE USED WITHOUT WRITTEN PERMISSION				

F
E
D
C
B
A



(B) RECOMMENDED PCB LAYOUT

Circuit size	Material Numbers				Dimensional Information			
	Black		Green		Dim. A		Dim B	
	100% Tin	30 u" Gold	100% Tin	30 u" Gold	mm	inch	mm	inch
4	395280004	395280504	395285004	395285504	10.00	0.394	5.00	0.197
6	395280006	395280506	395285006	395285506	15.00	0.591	10.00	0.394
8	395280008	395280508	395285008	395285508	20.00	0.787	15.00	0.591
10	395280010	395280510	395285010	395285510	25.00	0.984	20.00	0.787
12	395280012	395280512	395285012	395285512	30.00	1.181	25.00	0.984
14	395280014	395280514	395285014	395285514	35.00	1.378	30.00	1.181
16	395280016	395280516	395285016	395285516	40.00	1.575	35.00	1.378
18	395280018	395280518	395285018	395285518	45.00	1.772	40.00	1.575
20	395280020	395280520	395285020	395285520	50.00	1.969	45.00	1.772
22	395280022	395280522	395285022	395285522	55.00	2.165	50.00	1.969
24	395280024	395280524	395285024	395285524	60.00	2.362	55.00	2.165
26	395280026	395280526	395285026	395285526	65.00	2.559	60.00	2.362
28	395280028	395280528	395285028	395285528	70.00	2.756	65.00	2.559
30	395280030	395280530	395285030	395285530	75.00	2.953	70.00	2.756
32	395280032	395280532	395285032	395285532	80.00	3.150	75.00	2.953
34	395280034	395280534	395285034	395285534	85.00	3.346	80.00	3.150
36	395280036	395280536	395285036	395285536	90.00	3.543	85.00	3.346
38	395280038	395280538	395285038	395285538	95.00	3.740	90.00	3.543
40	395280040	395280540	395285040	395285540	100.00	3.937	95.00	3.740
42	395280042	395280542	395285042	395285542	105.00	4.134	100.00	3.937
44	395280044	395280544	395285044	395285544	110.00	4.331	105.00	4.134
46	395280046	395280546	395285046	395285546	115.00	4.528	110.00	4.331
48	395280048	395280548	395285048	395285548	120.00	4.724	115.00	4.528

(B) (B) (B) (B)

SEE SHEET 1 EC NO: ETC2007-0020 DRWN: C.YORK 2006/07/25 CHKD: J.PAWLICKI 2006/07/25 APPR: J.PAWLICKI 2006/07/26	QUALITY SYMBOLS	GENERAL TOLERANCES (UNLESS SPECIFIED)	DIMENSION STYLE	SCALE	DESIGN UNITS	THIRD ANGLE PROJECTION
	▽=0 ▽=0	mm INCH 4 PLACES ± --- ± --- 3 PLACES ± --- ± .005 2 PLACES ± 0.13 ± .01 1 PLACE ± 0.3 ± --- ANGULAR ± 2 °	MM/IN	3:1	INCH	DRAWN BY: LROTHAUS DATE: 2005/12/06 CHECKED BY: C. YORK DATE: 2006/01/06 APPROVED BY: J. PAWLICKI DATE: 2006/01/10
		DRAFT WHERE APPLICABLE MUST REMAIN WITHIN DIMENSIONS	SEE CHART	TITLE: 5.0MM, EURO DUAL HEADER, HORIZONTAL, OPEN END STACKABLE MOLEX INCORPORATED		
				MATERIAL NO.	DOCUMENT NO.	SHEET NO.