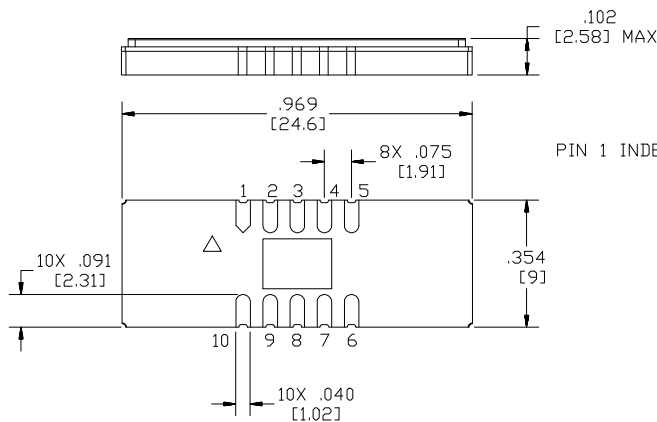


**TFH167A SAW Filter**  
**Preliminary**

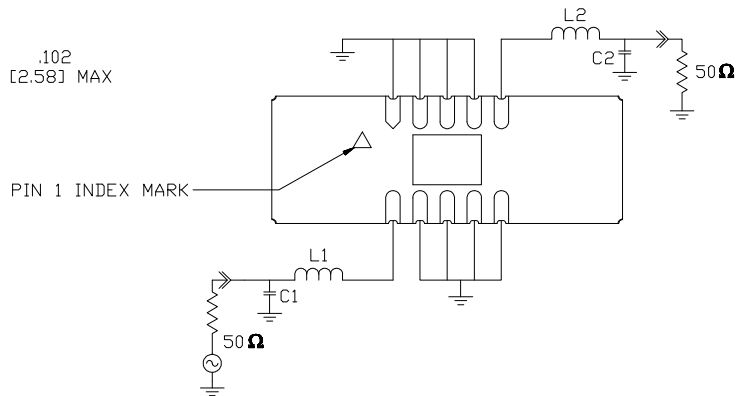
**167 MHz SAW Filter**  
**for GSM Basestation Applications**

Parameter	Minimum	Maximum	Unit
Center Frequency 167 MHz (fo)			
Insertion Loss at fo		8	dB
In-band Ripple Across fo±70 kHz		1	dB p-p
Group Delay Distortion Across fo±70 kHz		1	µsec p-p
Stopband Attenuation @ fo±225 kHz	5		dB
@ fo±400 kHz	15		
@ fo±600 kHz	40		
@ fo±800 kHz	45		
@ fo±1.5 to ± 75 MHz	50		
Temperature Range of Operation	-10	85	°C

**Package Outline**



**Matching Configuration**



24.6mmx9mm Leadless Chip Carrier  
 Source/Load Impedance 50Ω  
 Matching Component Values to Be Provided