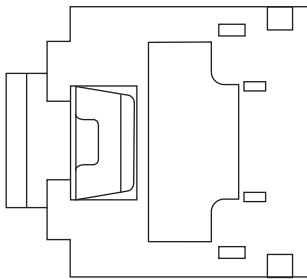
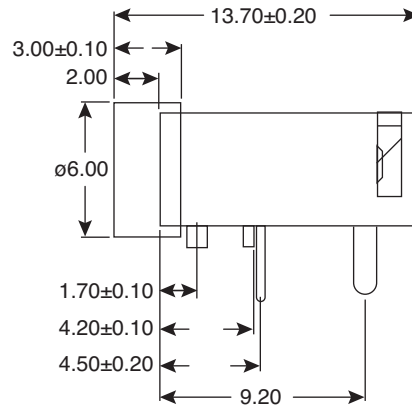
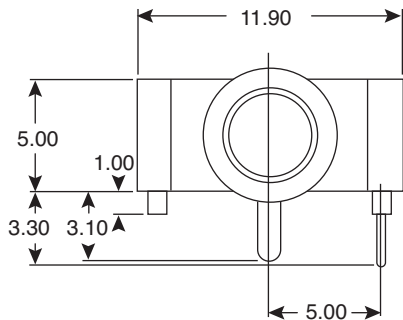


Phone Jack 3.5mm Mono

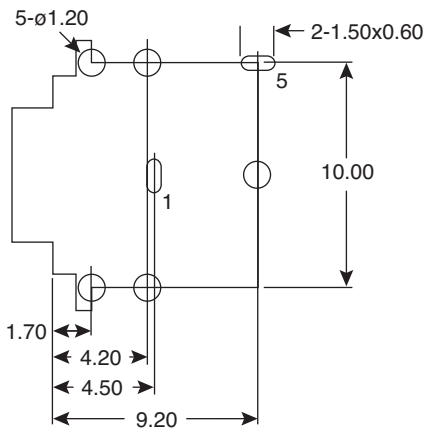
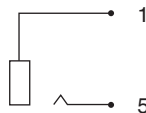
161-3502L-E

KOBICONN

Phone Jack 3.5mm Mono



Schematic



Pin Hole Layout
(Bottom View)

Dimensions: mm

MATERIAL SPECIFICATIONS

Housing:	PBT, Black
Barrel:	Brass, Nickel Plated
Tip Spring:	0.25 TicutR1-M-EH, Silver Plated
Earth Terminal	0.25T Phosphor Bronze, Silver Plated
RoHS Compliant	

ELECTRICAL SPECIFICATIONS

Contact Resistance:	30mΩ max.
Insulation Resistance:	100MΩ min. at DC 500V
Withstanding Voltage:	AC 500V for 1 min.

Date Last Revised: 12/15/08

Available from Mouser Electronics
1-800-346-6873 / www.mouser.com

KC-301277

Specifications are subject to change without notice. No liability or warranty implied by this information. Environmental compliance based on producer documentation.

161-3502L-E