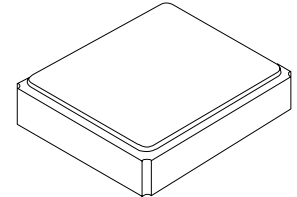




XVT9002

**26 MHz
VCTCXO**



SM3225-4 Case

- **Voltage Controlled Temperature Compensated Crystal Oscillator**
- **Excellent Frequency Stability & Low Phase Noise**
- **3.2 x 2.5 x 1.3 mm Surface-Mount Case**
- **Complies with Directive 2002/95/EC (RoHS)**



Electrical Characteristics

Characteristic	Sym	Notes	Minimum	Typical	Maximum	Units
Nominal Frequency	Fo			26.000000		MHz
Storage Temperature			-40		+85	°C
Operating Temperature Range			-30		+75	°C
Power Supply Voltage	Vcc		2.3	2.4	2.5	V
Output Voltage with Load 10 pF 10 KΩ	Vout		0.8			V _{P-P}
Output Waveform			clipped sinewave			
Power Supply Current	Icc				1.2	mA
Control Voltage	Vcon			1.2±1.0		V
Control Voltage Input Impedance			100K			ohms
Frequency Tolerance, Vcontrol = 1.2 V (after Reflow)			±2.5 ppm max @ 25 °C ±3 °C			
Frequency Stability versus:				±2.5		ppm
Temperature, -30 to 75 °C						
Supply Voltage, 2.3 to 2.5 V				±0.3		ppm
Load 10 pF 10 KΩ ±10%				±0.2		ppm
Control Voltage Frequency Range, 1.2 ±1.0 V			±9		±15	ppm
Start Up Time, 90% of final RF level in V _{P-P}					2.0	ms
Aging @ 25 °C				±1		ppm/year
Harmonics					-5.0	dBc
SSB Phase Noise @ 1 kHz Carrier Offset			-130 dBc/Hz maximum			
Standard Shipping Quantity on 180 mm (7") Reel				1000		units
Lid Symbolization			9002 // YWWS			



CAUTION: Electrostatic Sensitive Device. Observe precautions for handling.

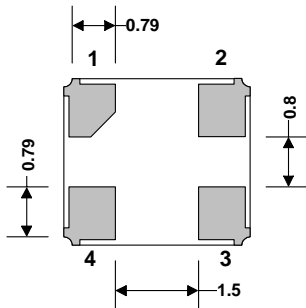
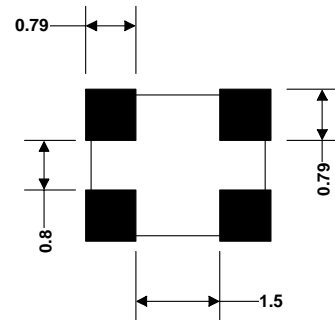
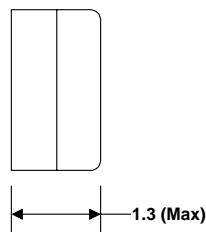
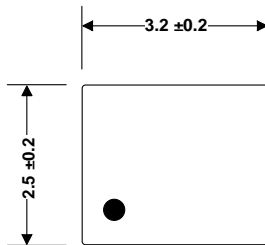
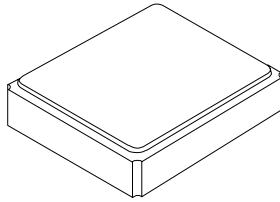
Notes:

1. The design, manufacturing process, and specifications of this device are subject to change without notice.

SM3225-4 Case

4-Terminal Surface-Mount Seam Weld Case

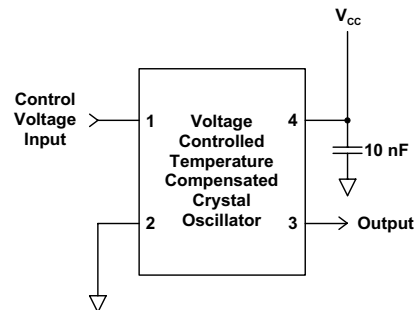
3.2 x 2.5 mm Nominal Footprint



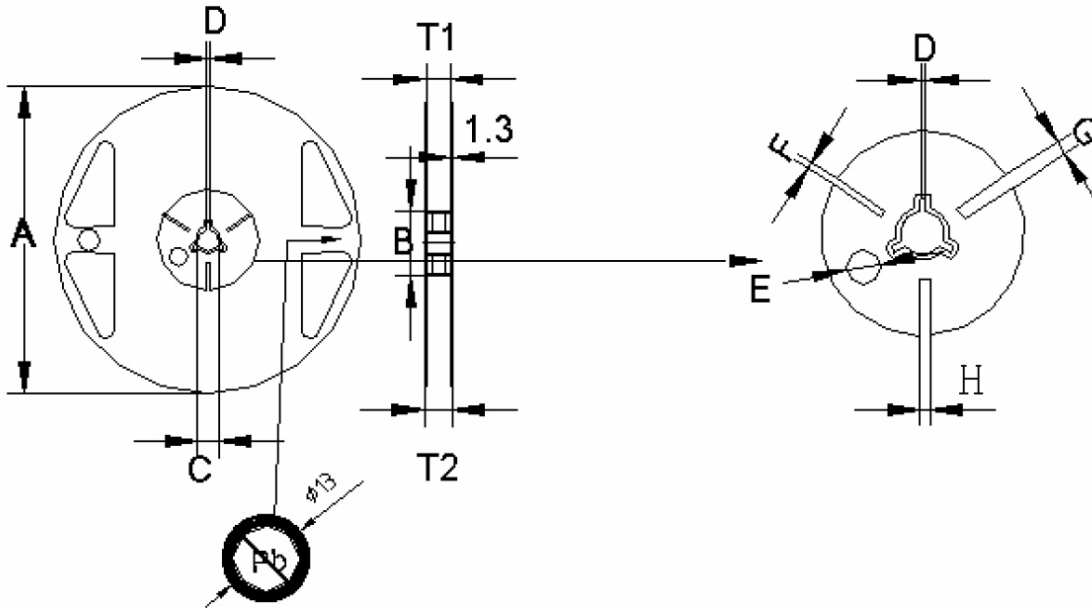
Dimensions in mm

Pin	Connection
1	Vcon
2	GND/CASE GND
3	Output
4	Vcc

Application Circuit

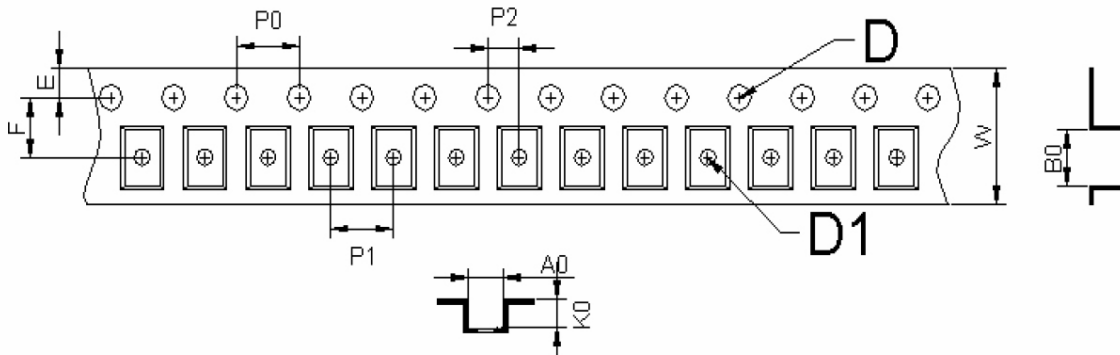


Reel Dimensions



mm	A	B	C	D	E	F	G	H	T1	T2	T3
Dimension	180	60	13.0	2.0	9.1	2.9	4.9	3.9	9.0	11.4	1.2
Tolerance	±1.0	+1.0/-0.0	±0.2	±0.5	±0.5	±0.5	±0.5	±0.5	±0.3	±1.0	±0.1

Tape Dimensions



mm	A0	B0	W	F	E	P0	P1	P2	D1	D	K0	t
Dimension	2.80	3.71	8.00	3.50	1.75	4.00	4.00	2.00	1.50	1.00	1.75	0.25
Tolerance	±0.10	±0.10	+0.30/-0.10	±0.05	±0.10	±0.10	±0.10	±0.05	+0.10/-0.00	+0.25/-0.00	±0.10	±0.02