

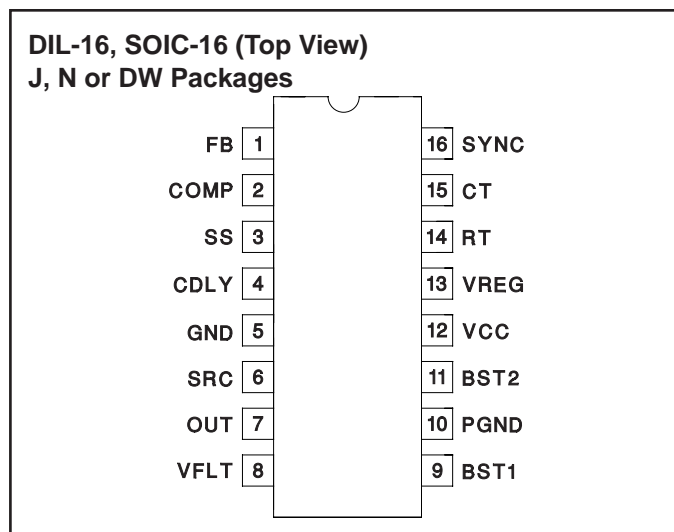
ABSOLUTE MAXIMUM RATINGS

| | |
|-------------------------------------|----------------|
| Supply Voltage | 20V |
| V _{FLT} Voltage | 50V, 30V at 2A |
| Supply Current | 50mA |
| Analog Inputs | -0.3 to 20V |
| SYNC Maximum Sink Current | 600μA |
| PWM Driver, I _{OUT} | ± 300mA |
| PWM Driver, I _{OUT} (Peak) | ± 1.5A |
| Maximum Operating Frequency | 1MHz |

| | |
|--|----------------|
| Power Dissipation at T _A = 60°C | 1W |
| Storage Temperature | -65°C to 150°C |
| Junction Temperature | -55°C to 150°C |
| Lead Temperature (Soldering, 10 sec.) | 300°C |

*Currents are positive into, negative out of specified terminal.
Consult Packaging Section of Databook for thermal limitations and considerations of packages.*

CONNECTION DIAGRAMS



ORDERING INFORMATION

| | TEMPERATURE RANGE | PACKAGE |
|----------|-------------------|-----------|
| UC1584J | -55°C to +125°C | CDIP |
| UC2584DW | -40°C to +85°C | SOIC-Wide |
| UC2584N | | PDIP |
| UC3584DW | 0°C to +70°C | SOIC-Wide |
| UC3584N | | PDIP |

ELECTRICAL CHARACTERISTICS: Unless otherwise specified, T_A = 0°C to 70°C for the UC3584, -40°C to 85°C for the UC2584, and -55°C to 125°C for the UC1584, V_{CC} = 15V. T_A = T_J.

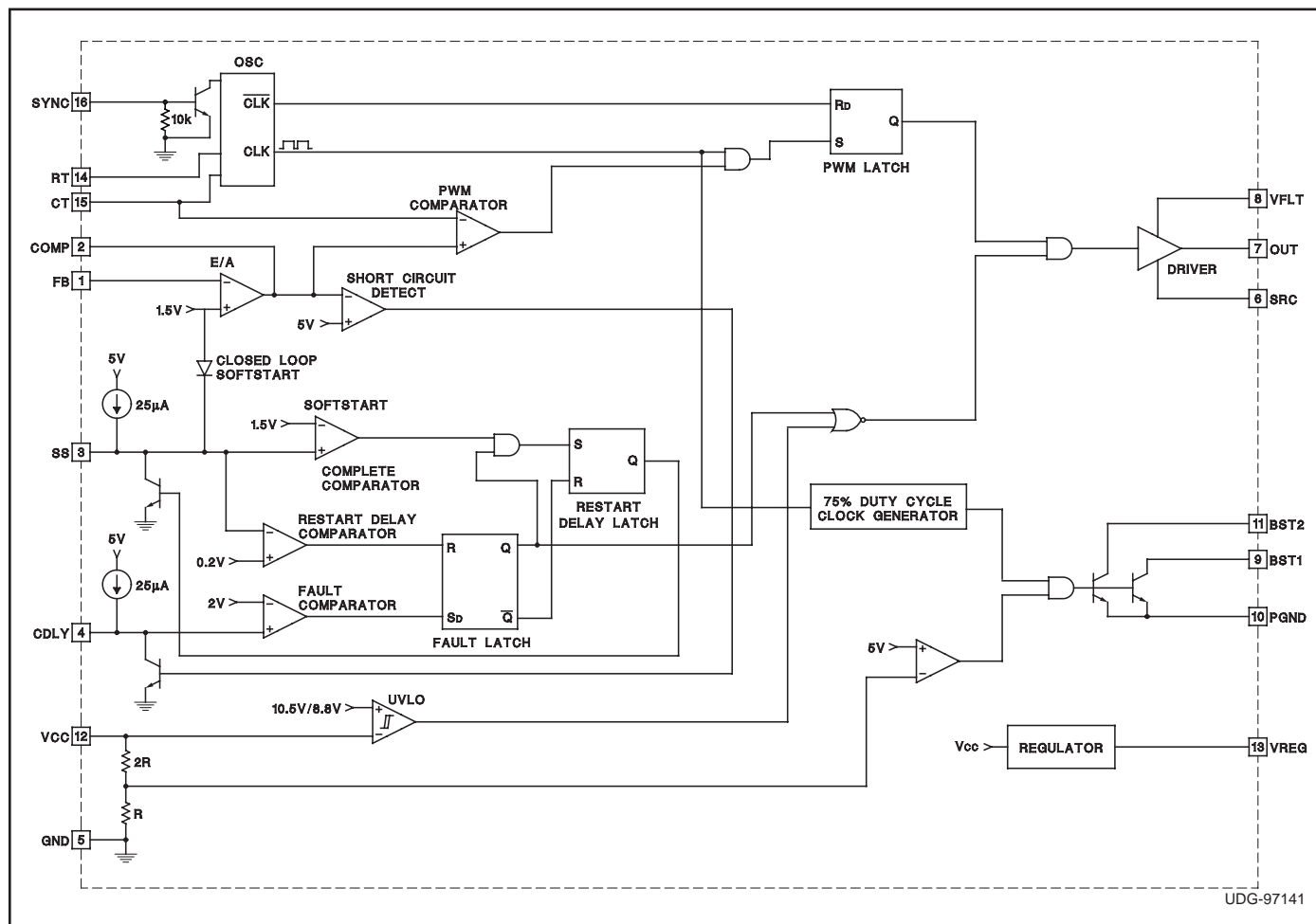
| PARAMETERS | TEST CONDITIONS | MIN | TYPE | MAX | UNITS |
|------------------------|--|-------|------|-------|-------|
| Error Amplifier | | | | | |
| FB | COMP = FB | 1.468 | 1.5 | 1.532 | V |
| I _{FB} | V _{COMP} = V _{FB} | 150 | 300 | 450 | nA |
| COMP V _{OL} | FB = 1.6V, I _{COMP} = 200μA | | 50 | 400 | mV |
| COMP V _{OH} | FB = 1.4V, I _{COMP} = -200μA | 5.1 | 5.5 | 7 | V |
| AVOL | | 60 | 80 | | dB |
| PSRR (COMP) | COMP = FB, V _{CC} = 14V to 16V | 60 | | | dB |
| GBW Product | F = 100kHz | 5 | 10 | | MHz |
| Oscillator | | | | | |
| Frequency | R _T = 3.75k, C _T = 400pF, No Synchronization | | 500 | | kHz |
| Ramp Low | R _T = 3.75k, C _T = 400pF, No Synchronization | | 1.75 | | V |
| Ramp High | R _T = 3.75k, C _T = 400pF, No Synchronization | | 3.5 | | V |
| Ramp Amplitude | R _T = 3.75k, C _T = 400pF, No Synchronization | | 1.75 | | V |
| PWM | | | | | |
| Maximum Duty Cycle | COMP = 4.5V | 90 | | | % |
| Minimum Duty Cycle | COMP = 0V | | | 0 | % |
| PWM DRIVER | | | | | |
| V _{SAT} High | V _{FLT} - V _{OUT} , I _{OUT} = -100mA | | 2.5 | 3 | V |
| V _{SAT} Low | V _{OUT} - V _{SRC} , I _{OUT} = 50mA | | 0.8 | 2.2 | V |
| T _{RISE} | Load = 1nF, SRC = 0V, Measure V _{OUT} 1V to 9V | | 75 | 100 | ns |
| T _{FALL} | Load = 1nF, SRC = 0V, Measure V _{OUT} 9V to 1V | | 25 | 100 | ns |

ELECTRICAL CHARACTERISTICS: Unless otherwise specified, $T_A = 0^\circ\text{C}$ to 70°C for the UC3584, -40°C to 85°C for the UC2584, and -55°C to 125°C for the UC1584, $V_{CC} = 15\text{V}$. $T_A = T_J$.

| PARAMETERS | TEST CONDITIONS | MIN | TYPE | MAX | UNITS |
|--------------------------|--|-----|------|-----|---------------|
| Soft Start | | | | | |
| Charge Current | | | 30 | | μA |
| Discharge Current | | | 1 | | mA |
| SS Delay | $C_{SS} = 500\text{nF}$ | | 50 | | ms |
| Fault Latch | | | | | |
| Charge Current | | | 30 | | μA |
| Discharge Current | | | 5 | | mA |
| Fault Latch Delay | $CDLY = 500\text{nF}$ | | 50 | | ms |
| UVLO | | | | | |
| VCC On | | | 10.5 | | V |
| Hysteresis | | | 1.7 | | V |
| Regulated Voltage | | | | | |
| V_{REG} | $I_{REG} = 0\text{mA}$ to 1mA | 4.8 | | 5.2 | V |
| VCC Regulator | | | | | |
| VCC | Boost inductor connected to 5V | 14 | 15 | 16 | V |
| I_{CC} | No Load, Boost Circuitry Inactive | | 12 | 40 | mA |
| | No Load, Boost Circuitry Active (Note 1) | | 55 | | mA |

Note 1: Guaranteed by design. Not 100% tested in production.

BLOCK DIAGRAM



PIN DESCRIPTIONS

BST1: Collector of the boost switch. This is the connection point of the external boost inductor and boost diode. The boost converter generates the bias supply for the UC3584 from the regulated 5V output.

BST2: See BST1. BST2 must be connected externally to BST1 pin.

CDLY: Delay Set. External CDLY capacitor sets the delay from the time Short Circuit condition is detected and Fault Condition is asserted.

COMP: Output of the Voltage Error Amplifier.

CT: Connect the Timing Capacitor between CT and GND.

FB: Inverting Input of the Voltage Error Amplifier.

GND: Analog System Ground.

OUT: Output of the floating driver for an external, N-channel MOSFET.

PGND: Power Ground. This is the reference node for the boost bias supply regulator. PGND and GND must be connected externally.

RT: A Timing Resistor connected between RT and GND sets the discharge current of the timing capacitor.

SRC: Source connection of the floating driver to the external switch.

SS: Soft Start. An external capacitor is connected between SS and GND to set the duration of the Soft Start cycle.

SYNC: Synchronization Pin. The UC3584 is synchronized from the falling edge of the transformer's secondary winding. Voltage must exceed 1V at minimum input line.

VCC: Bias supply of the chip, approximately 15V. This is also the output of the boost regulator. The VCC pin must be decoupled to PGND.

VFLT: Positive rail of the floating driver's bias supply. Decouple to SRC using a high frequency (ceramic) capacitor.

VREG: Output of the internal 5V regulated supply. Must be decoupled to GND.

APPLICATION INFORMATION

Biasing the UC3584

Bias supply for the UC3584 is generated from the main output of the power supply by a boost regulator. The inductor, diode and capacitor of the boost converter are external components, while the boost switch is internal to the chip. The boost converter operates in a burst mode with a built-in hysteresis of approximately 1V centered at 15V. This is a bang-bang controller and when enabled has a fixed duty cycle of 75%.

Undervoltage Detection

The UVLO circuit of the UC3584 monitors the voltage on VCC. During power up and power down, the pulse width modulator and the output driver are disabled and OUT is held active low. Operation is enabled when VCC reaches 10.5V. The UVLO circuitry has a built-in hysteresis of 1.7V (10.5V to 8.8V) thus VCC must drop below 8.8V in order to assert UVLO again.

Precision Reference

An internal precision bandgap reference provides accurate voltages to the error amplifier and other control sections of the IC. A buffered 5V regulated voltage is also available for external circuitry on the VREG pin. This pin must be decoupled to the signal GND connection by a good quality high frequency capacitor.

Oscillator and Trailing Edge Synchronization

The UC3584 is outfitted with a synchronizable oscillator which also generates a ramp signal across the CT capacitor for the PWM comparator. For easy implementation of the leading edge pulse width modulation technique, the oscillator has an inverted ramp waveform as shown in Fig. 1. The free running oscillator frequency is determined by the timing components, RT and CT, according to the following approximate equations:

$$R_T = \left(\frac{9.3}{1 - D_{MAX}} \right)^{1.7}$$

$$f_{OSC} = \frac{2 - (8.2 \times 10^8 \cdot C_T)}{(R_T \cdot C_T)^{0.9}}$$

where

RT is the timing resistor, its value should be between 1kΩ and 100kΩ,

CT is the timing capacitor,

D_{MAX} is the desired maximum duty cycle, and

f_{OSC} is the free running oscillator frequency.

Figure 2 graphically depicts the measured frequency data.

APPLICATION INFORMATION (cont.)

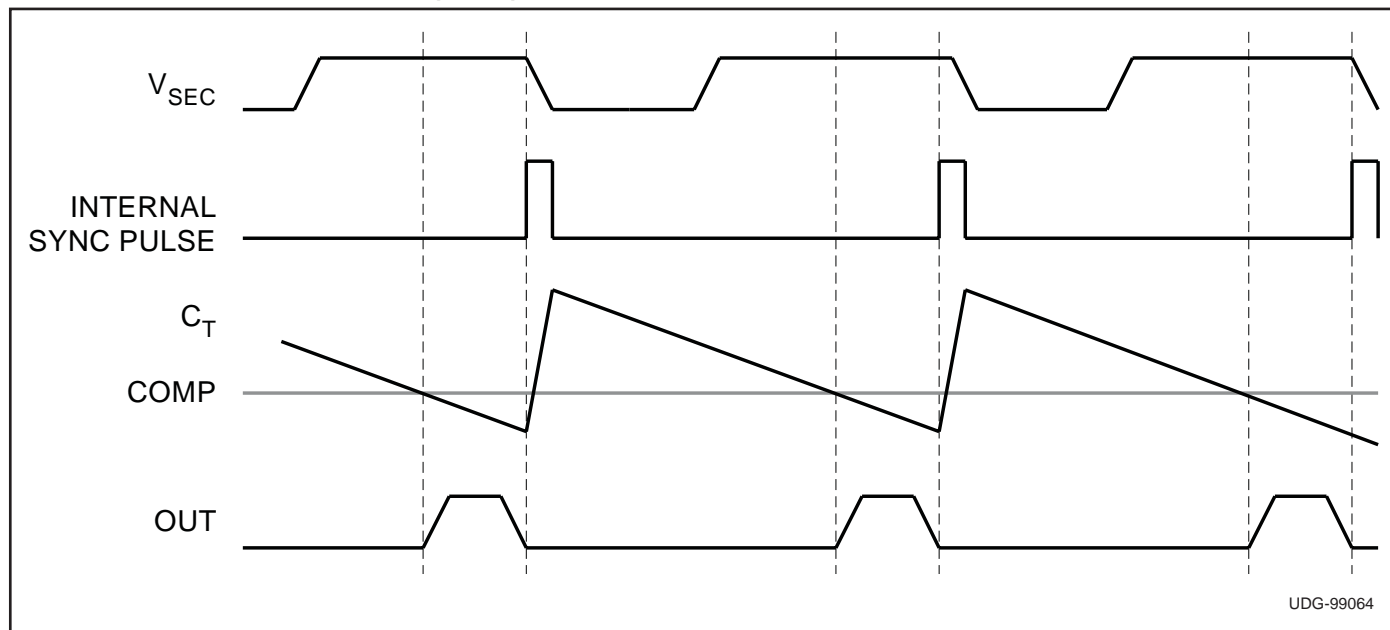


Figure 1. Trailing edge synchronization, leading edge modulation.

Edge Modulation

During normal operation the oscillator must be synchronized to the falling edge of the transformer secondary waveform. Synchronization is achieved by connecting SYNC to the secondary winding via a resistor divider. The resistor divider must be chosen to provide a SYNC pin voltage in excess of 1V at the lowest operating voltage on the transformer secondary winding. The UC3584 will generate a narrow internal synchronization pulse which will synchronize the oscillator to the switching frequency of the main converter.

PWM and Output Driver

The UC3584 employs leading edge modulation technique to set the required on time of its output. Leading edge modulation is preferred for secondary side regulation in multiple output converters to prevent ambiguity in the primary current waveform. In fact, this is the only feasible technique to preserve compatibility with primary side peak current mode control.

As Fig. 1 depicts the UC3584 utilizes voltage mode control to regulate output voltage. The output pulse width (the on-time of the MOSFET switch) is determined on a cycle-by-cycle basis by comparing the output of the voltage error amplifier and the ramp waveforms across the timing capacitor. OUT is asserted when the voltage on COMP exceeds the voltage on CT. There are three more conditions which must be satisfied to obtain an active high on the OUT pin. These conditions are:

1. VCC within normal range (UVLO is inactive),
2. No fault condition is detected,
3. C_T is discharging.

During the fast charging time of the C_T capacitor is held low.

Ultimately, the output of the PWM circuitry controls the conduction interval of an external N-channel MOSFET switch in the power supply. The UC3584 employs an on-board, floating gate driver circuit to interface to the external switch. An external capacitor connected between VFLT and SRC acts as a floating power supply for

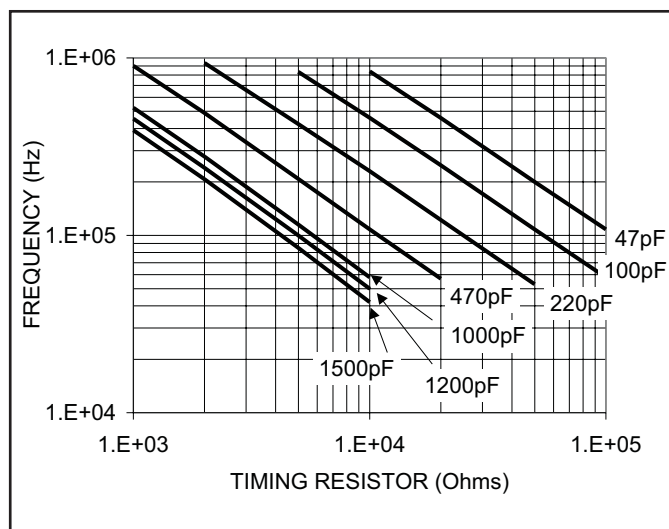


Figure 2. Oscillator frequency vs. R_T with C_T as a parameter.

APPLICATION INFORMATION (cont.)

the driver during the on-time of the switch. Charge is being replenished to the bootstrap capacitor during the off-time of the switch through the bootstrap diode connected between VCC and VFLT as shown in the typical application diagram.

Soft Start

The UC3584 Soft Start circuitry is designed to implement closed loop startup of the power supply output. During Soft Start, the reference to the noninverting input of the error amplifier is controlled by the voltage across the soft start capacitor on SS. As this voltage rises, it provides an increasing reference to the error amplifier. Once the soft start capacitor charges above the 1.5V precision reference of the error amplifier, SS gets disconnected from the noninverting input of the error amplifier. This technique allows the error amplifier to stay in its linear mode and to regulate the output voltage of the power supply according to the gradually increasing reference voltage on its noninverting input. Further advantage of the closed loop start up scheme is the absence of output voltage overshoot during power up of the power supply output.

Fault Detection

Fault Detection feature is implemented to detect excessive overload conditions. Under these conditions the error amplifier output goes high to command the maximum duty cycle. As soon as the error amplifier's output exceeds 5V, the fault delay capacitor connected to the CDLY pin starts charging. If C_{DLY} capacitor voltage reaches 2V before the error amplifier output falls back

below 5V, a fault condition is declared, the PWM output is disabled and soft start cycle is initiated. Under persistent fault conditions the UC3584 will continuously cycle through soft start sequence, attempting to bring the output to its regulated, nominal voltage. The value of CDLY capacitor should be chosen large enough to delay the activation of the fault sequence in case of load transients which can also cause the error amplifier output to go high temporarily.

Error Amplifier

The Error Amplifier of the UC3584 is used to regulate the voltage of an auxiliary output in a power supply. The noninverting input of the error amplifier is connected to an internal, 1.5V reference. The inverting input (FB pin) is tied to an output voltage divider. The compensation network of the negative feedback loop is connected between the amplifier's output (COMP pin) and FB. The noninverting input of the error amplifier is also connected to the SS node through a diode. This arrangement allows closed loop soft start for the output of a power supply regulated by the UC3584. Closed loop soft start assures that the error amplifier is kept in active mode and the output voltage of the converter follows the reference voltage on its noninverting input as it ramps up (following the SS node). If a fault condition is detected, SS node gets pulled to ground, forcing the error amplifier's reference low. Consequently, the error amplifier's output voltage goes low and duty cycle is reduced.

IMPORTANT NOTICE

Texas Instruments and its subsidiaries (TI) reserve the right to make changes to their products or to discontinue any product or service without notice, and advise customers to obtain the latest version of relevant information to verify, before placing orders, that information being relied on is current and complete. All products are sold subject to the terms and conditions of sale supplied at the time of order acknowledgement, including those pertaining to warranty, patent infringement, and limitation of liability.

TI warrants performance of its semiconductor products to the specifications applicable at the time of sale in accordance with TI's standard warranty. Testing and other quality control techniques are utilized to the extent TI deems necessary to support this warranty. Specific testing of all parameters of each device is not necessarily performed, except those mandated by government requirements.

CERTAIN APPLICATIONS USING SEMICONDUCTOR PRODUCTS MAY INVOLVE POTENTIAL RISKS OF DEATH, PERSONAL INJURY, OR SEVERE PROPERTY OR ENVIRONMENTAL DAMAGE ("CRITICAL APPLICATIONS"). TI SEMICONDUCTOR PRODUCTS ARE NOT DESIGNED, AUTHORIZED, OR WARRANTED TO BE SUITABLE FOR USE IN LIFE-SUPPORT DEVICES OR SYSTEMS OR OTHER CRITICAL APPLICATIONS. INCLUSION OF TI PRODUCTS IN SUCH APPLICATIONS IS UNDERSTOOD TO BE FULLY AT THE CUSTOMER'S RISK.

In order to minimize risks associated with the customer's applications, adequate design and operating safeguards must be provided by the customer to minimize inherent or procedural hazards.

TI assumes no liability for applications assistance or customer product design. TI does not warrant or represent that any license, either express or implied, is granted under any patent right, copyright, mask work right, or other intellectual property right of TI covering or relating to any combination, machine, or process in which such semiconductor products or services might be or are used. TI's publication of information regarding any third party's products or services does not constitute TI's approval, warranty or endorsement thereof.