



LU3X31T-T64 Single-Port 3 V 10/100 Ethernet Transceiver TX

Overview

The LU3X31T-T64 is a fully integrated 10/100 Mb/s physical layer device with an integrated transceiver. It is provided in a 64-pin TQFP package with low-power operation and powerdown modes. Typical applications for this part are CardBus and PCMCIA Ethernet products. Operating at 3.3 V, the LU3X31T-T64 is a powerful device for the forward migration of legacy 10 Mb/s products and noncompliant (does not have autonegotiation) 100 Mb/s devices. The LU3X31T-T64 was designed from the beginning to conform fully with all pertinent specifications, from the *ISO*^{*}/*IEC* 11801 and *EIA*[†]/*TIA* 568 cabling guidelines to *ANSI*[‡] X3.263 TP-PMD to *IEEE*[§] 802.3 Ethernet specifications.

Features

- Single-chip integrated physical layer and transceiver for 10Base-T and/or 100Base-T functions
- *IEEE* 802.3 compatible 10Base-T and 100Base-T physical layer interface and *ANSI* X3.263 TP-PMD compatible transceiver
- Built-in analog 10 Mb/s receive filter, eliminating the need for external filters
- Built-in 10 Mb/s transmit filter
- 10 Mb/s PLL exceeding tolerances for both preamble and data jitter
- 100 Mb/s PLL, combined with the digital adaptive equalizer, robustly handles variations in rise-fall time, excessive attenuation due to channel loss, duty-cycle distortion, crosstalk, and baseline wander
- Transmit rise-fall time can be manipulated to provide lower emissions, amplitude fully compatible for proper interoperability
- Programmable scrambler seed for better FCC compliancy
- *IEEE* 802.3u Clause 28 compliant autonegotiation for full 10 Mb/s and 100 Mb/s control
- Fully configurable via pins and management accesses
- Extended management support with interrupt capabilities
- PHY MIB support
- Symbol mode option
- Low-power operation: <150 mA max
- Low autonegotiation power: <30 mA
- Very low powerdown mode: <5 mA
- 64-pin TQFP package (10 mm x 10 mm x 1.4 mm)

* *ISO* is a registered trademark of The International Organization for Standardization.

† *EIA* is a registered trademark of The Electronic Industries Association.

‡ *ANSI* is a registered trademark of The American National Standards Institute, Inc.

§ *IEEE* is a registered trademark of The Institute of Electrical and Electronics Engineers, Inc.

Table of Contents

Contents	Page
Overview.....	1
Features	1
Pin Descriptions.....	6
Functional Description	10
Media Independent Interface (MII)	10
100Base-X Module.....	11
100Base-X Receiver	14
100Base-X Link Monitor	15
100Base-TX Transceiver.....	16
10Base-T Module	16
Clock Synthesizer.....	18
Autonegotiation	18
Reset Operation	19
100Base-X PCS Configuration.....	20
MII Registers	21
dc and ac Specifications.....	31
Absolute Maximum Ratings.....	31
Clock Timing.....	32
Outline Diagram.....	43
64-Pin TQFP	43
Ordering Information.....	44

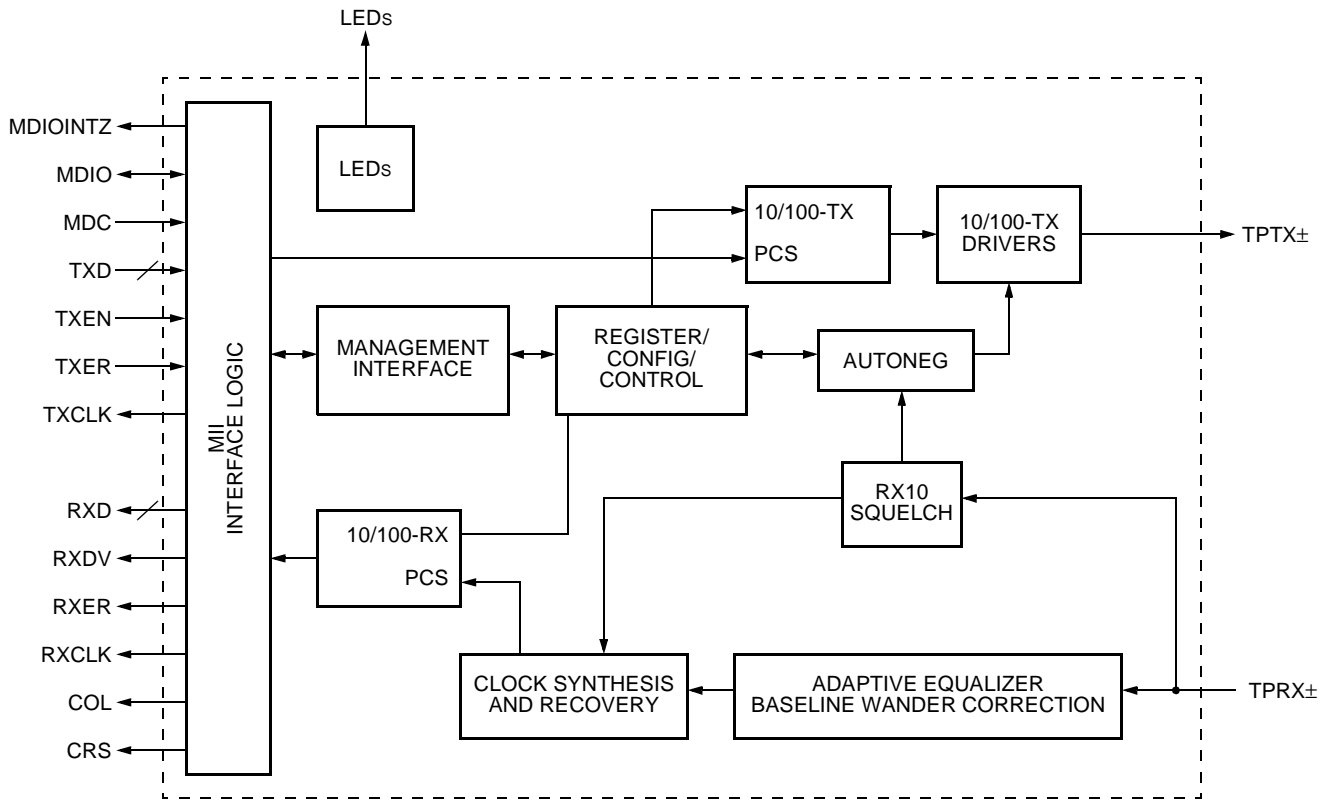
Tables	Page
Table 1. Twisted-Pair Magnetic Interface	5
Table 2. Twisted-Pair Transceiver Control	6
Table 3. MII Interface	6
Table 4. PHY Address Configuration	7
Table 5. 100Base-X PCS Configuration.....	7
Table 6. Autonegotiation Configuration	7
Table 7. LED and Status Outputs	8
Table 8. Clock and Chip Reset	9
Table 9. Power and Ground	9
Table 10. Symbol Code Scrambler	13
Table 11. Autonegotiation	20
Table 12. MII Management Registers	20
Table 13. Control Register (Register 0h)	21
Table 14. Status Register (Register 1h).....	23
Table 15. PHY Identifier (Register 2h)	25
Table 16. PHY Identifier (Register 3h)	25
Table 17. Autonegotiation Advertisement (Register 4h)	25
Table 18. Autonegotiation Link Partner Ability (Register 5h)	25
Table 19. Autonegotiation Expansion Register (Register 6h)	26
Table 20. Receive Error Counter (Register 15h).....	26
Table 21. PHY Control/Status Register (Register 17h).....	27
Table 22. Config 100 Register (Register 18h).....	28
Table 23. PHY Address Register (Register 19h)	29
Table 24. Config 10 Register (Register 1Ah)	29
Table 25. Status 100 Register (Register 1Bh)	30
Table 26. Status 10 Register (Register 1Ch)	30

Table of Contents (continued)

Tables (continued)	Page
Table 27. Interrupt Mask Register (Register 1Dh).....	30
Table 28. Interrupt Status Register (Register 1Eh)	31
Table 29. Absolute Maximum Ratings.....	31
Table 30. Operating Conditions.....	31
Table 31. dc Characteristics	32
Table 32. System Clock (Xin)	32
Table 33. Transmit Clock (Input and Output)	33
Table 34. Management Clock.....	34
Table 35. MII Receive Timing.....	35
Table 36. MII Transmit Timing	36
Table 37. Transmit Timing	37
Table 38. Receive Timing.....	38
Table 39. Reset and Configuration Timing.....	39
Table 40. PMD Characteristics.....	40

Figures	Page
Figure 1. LU3X31T-T64 Block Diagram	4
Figure 2. Pin Diagram	5
Figure 3. 100Base-X Data Path	12
Figure 4. 10Base-T Module Data Path	16
Figure 5. Hardware Reset Configurations.....	19
Figure 6. System Timing.....	32
Figure 7. Transmit Timing (Input and Output)	33
Figure 8. Management Timing	34
Figure 9. MII Receive Timing	35
Figure 10. MII Transmit Timing	36
Figure 11. Transmit Timing	37
Figure 12. Receive Timing	38
Figure 13. Reset and Configuration Timing	39
Figure 14. PMD Timing.....	40
Figure 15. Connection Diagrams (Frequency References).....	41
Figure 16. Connection Diagrams (10/100BTX Operation).....	42

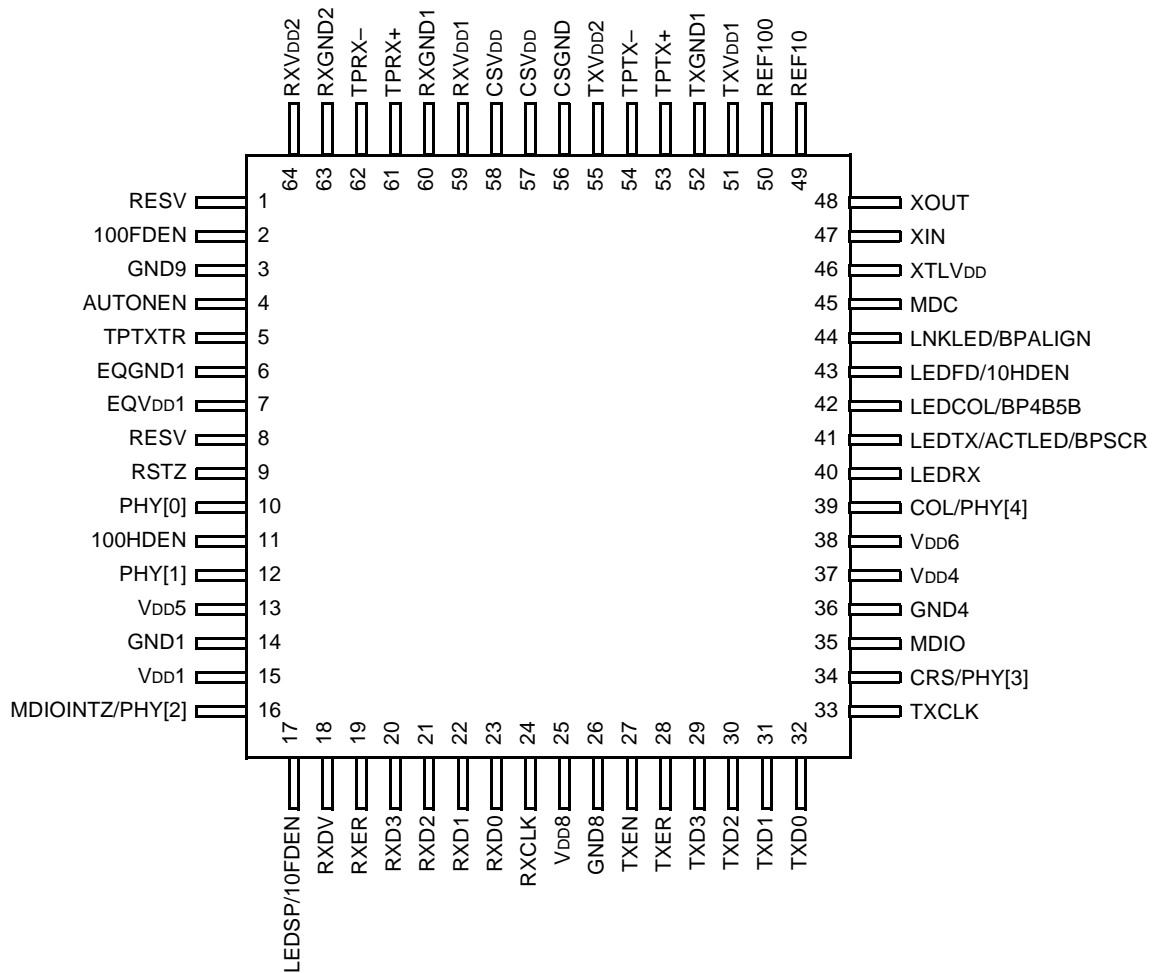
Features (continued)



5-6779(F).ar.2

Figure 1. LU3X31T-T64 Block Diagram

Features (continued)



5-6780(F).br.5

Figure 2. Pin Diagram

Table 1. Twisted-Pair Magnetic Interface

Pin No.	Pin Name	I/O	Pin Description
53 54	TPTX+ TPTX-	O	Twisted-Pair Transmit Driver Pair. These pins are used to transmit 100Base-T MLT-3 signals on Category 5 UTP cable or 10Base-T Manchester signals on Category 3 UTP cable.
61 62	TPRX+ TPRX-	I	Twisted-Pair Receive Pair. These pins receive 100Base-T MLT 3 or 10Base-T Manchester data.

Pin Descriptions

Table 2. Twisted-Pair Transceiver Control

Pin No.	Pin Name	I/O	Pin Description
50	REF100	I	Reference Resistor for 100 Mbits/s Twisted-Pair Driver. Connect this pin to ground through a 301 Ω resistor.
49	REF10	I	Reference Resistor for 10 Mbits/s Twisted-Pair Driver. Connect this pin to ground through a 4.64 k Ω resistor.
5	TPTXTR	I	Twisted-Pair Transmitter 3-State. A high on this pin will 3-state the twisted-pair outputs. Tie to ground in normal operation.

Table 3. MII Interface

Pin No.	Pin Name	I/O	Pin Description
18	RXDV	O	Receive Data Valid. Signals the presence of data on RXD[3:0].
19	RXER	O	Receive Error. Indicates a received coding error has occurred.
20	RXD3	O	Receive Data[3].
21	RXD2	O	Receive Data[2].
22	RXD1	O	Receive Data[1].
23	RXD0	O	Receive Data[0].
24	RXCLK	O	Receive Clock.
27	TXEN	I	Transmit Enable. Signals the presence of data on TXD[3:0].
28	TXER	I	Transmit Error. Indicates a transmit coding error has occurred.
29	TXD3	I	Transmit Data[3].
30	TXD2	I	Transmit Data[2].
31	TXD1	I	Transmit Data[1].
32	TXD0	I	Transmit Data[0].
33	TXCLK	O	Transmit Clock.
34	CRS/PHY[3]	I/O	Carrier Sense/PHY Address[3]. This output pin indicates the carrier sense condition. See Table 4 for PHY[3] description.
39	COL/PHY[4]	I/O	Collision/False Carrier Sense. This output pin indicates collision condition in normal MII operation and is squelch jabber in 10 Mbits/s mode. See Table 4 for PHY[4] description.
35	MDIO	I/O	Management Data I/O. Serial access to device config registers.
45	MDC	I	Management Data Clock. Clock for R/W of device config registers.
16	MDIOINTZ/PHY[2]	I/O	MDIO Interrupt (Active-Low). The MDIO interrupt pin outputs a logic 0 pulse of 40 ns, synchronous to XIN, whenever an unmasked interrupt condition is detected. Refer to management registers 1Dh and 1Eh for interrupt conditions. See Table 4 for PHY[2] description.

Note: Smaller font indicates that the pin has multiple functions.

Pin Descriptions (continued)

Table 4. PHY Address Configuration

Pin No.	Pin Name	I/O	Pin Description
10	PHY[0]	I	PHY Address[4:0]. These 5 pins are detected during powerup or reset to initialize the PHY address used for MII management register interface. PHY address 00h forces the PHY into MII isolate mode. PHY address pins[4:2] have an internal 40 kΩ pull-down resistor. See Table 3 for MDIOINTZ, CRS, and COL description.
12	PHY[1]	I	
16	PHY[2]/MDIOINTZ	I/O	
34	PHY[3]/CRS	I/O	
39	PHY[4]/COL	I/O	

Note: Smaller font indicates that the pin has multiple functions.

Table 5. 100Base-X PCS Configuration

Pin No.	Pin Name	I/O	Pin Description
41	BPSCR/LEDTX/ ACTLED	I/O	Bypass Scrambler Mode. A high value on this pin during powerup or reset will bypass the scramble/descramble operations in 100Base-X data path. This pin has an internal 40 kΩ pull-down resistor. See Table 7 for LEDTX/ACTLED description.
42	BP4B5B/LEDCOL	I/O	Bypass 4B/5B Mode. A high value on this pin during powerup or reset will bypass the 4B/5B encoder of the PHY. This pin has an internal 40 kΩ pull-down resistor. See Table 7 for LEDCOL description.
44	BPALIGN/LNKLED	I/O	Bypass Alignment Mode. A high value on this pin during powerup or reset will bypass the alignment feature of the PHY. This bypass mode provides a symbol interface. This pin has an internal 40 kΩ pull-down. See Table 7 for LNKLED description.

Note: Smaller font indicates that the pin has multiple functions.

Table 6. Autonegotiation Configuration (Refer to Table 11.)

Pin No.	Pin Name	I/O	Pin Description
4	AUTONEN	I	Autonegotiation Enable. A high value on this pin during powerup or reset will enable autonegotiation; a low value will disable it.
2	100FDEN	I	100 Full-Duplex Enable. The logic level of this pin is detected at powerup or reset to determine whether 100 Mbits/s full-duplex mode is available. When autonegotiation is enabled, this input sets the ability register bit in advertisement register 4. When autonegotiation is not enabled, this input will select the mode of operation.
11	100HDEN	I	100 Half-Duplex Enable. The logic level of this pin is detected at powerup or reset to determine whether 100 Mbits/s half-duplex mode is available. When autonegotiation is enabled, this input sets the ability register bit in advertisement register 4. When autonegotiation is not enabled, this input will select the mode of operation.
17	10FDEN/LEDSP	I/O	10 Full-Duplex Enable. The logic level of this pin is detected at powerup or reset to determine whether 10 Mbits/s full-duplex mode is available. When autonegotiation is enabled, this input sets the ability register bit in advertisement register 4. When autonegotiation is not enabled, this input will select the mode of operation. This pin has an internal 40 kΩ pull-up resistor. See Table 7 for LEDSP description.

Note: Smaller font indicates that the pin has multiple functions.

Pin Descriptions (continued)

Table 6. Autonegotiation Configuration (Refer to Table 11.) (continued)

Pin No.	Pin Name	I/O	Pin Description
43	10HDEN/LEDFD	I/O	10 Half-Duplex Enable. The logic level of this pin is detected at powerup or reset to determine whether 10 Mbits/s half-duplex mode is available. When autonegotiation is enabled, this input sets the ability register bit in advertisement register 4. When autonegotiation is not enabled, this input will select the mode of operation. This pin has an internal 40 kΩ pull-up resistor. See Table 7 for LEDFD description.

Note: Smaller font indicates that the pin has multiple functions.

Table 7. LED and Status Outputs

Pin No.	Pin Name	I/O	Pin Description
40	LEDRX	I/O	Receive LED. This output will drive a 10 mA LED if the LU3X31T-T64 is receiving data from the UTP cable. This pin has an internal 40 kΩ pull-down resistor. The LED should be connected as logic 0 configuration as shown in Figure 5, without the 10 kΩ resistor.
41	LEDTX/ACTLED/ BPSCR	I/O	Transmit LED or Activity LED. When bit 7 of register 17h is 0, this output will drive a 10 mA LED if the LU3X31T-T64 is transmitting data. If the control bit is set, then the LED will be driven whenever receive or transmit activity is present. This pin has an internal 40 kΩ pull-down. The LED should be connected as LOGIC 0 configuration in Figure 5 without the 10 kΩ resistor. See Table 5 for BPSCR description.
44	LNKLED/BPALIGN	I/O	Link LED. This output will drive a 10 mA LED for as long as a valid link exists across the cable. Place a 10 kΩ resistor across the LED pins if setting to nondefault mode, i.e., bypass align mode as shown in Figure 5. See Table 5 for BPALIGN description.
42	LEDCOL/BP4B5B	I/O	Collision LED. This output will drive a 10 mA LED whenever the LU3X31T-T64 senses a collision has occurred. Place a 10 kΩ resistor across the LED pins if setting to nondefault mode, i.e., bypass 4B/5B mode as shown in Figure 5. See Table 5 for BP4B5B description.
43	LEDFD/10HDEN	I/O	Full-Duplex Status. This output will drive a 10 mA LED when the LU3X31T-T64 is in full-duplex mode. Place a 10 kΩ resistor across the LED pins if setting to nondefault mode, i.e., 10HD disable mode as shown in Figure 5. See Table 6 for 10HDEN description.
17	LEDSP/10FDEN	I/O	Speed Status. This output will drive a 10 mA LED when the LU3X31T-T64 is in 100 Mbits/s mode. Place a 10 kΩ resistor across the LED pins if setting to nondefault mode, i.e., 10FD disable mode as shown in Figure 5. See Table 6 for 10FDEN description.

Note: Smaller font indicates that the pin has multiple functions.

Pin Descriptions (continued)

Table 8. Clock and Chip Reset

Pin No.	Pin Name	I/O	Pin Description
47	XIN	I	Crystal Oscillator Input or Clock Input. See Figure 15 for a connection diagram.
48	XOUT	O	Crystal Oscillator Feedback Output. If a single-ended external clock is connected to XIN pin, then XOUT should be grounded for minimum power consumption. See Figure 15 for a connection diagram.
9	RSTZ	I	Reset (Active-Low). This input must be held low for a minimum of 1 ms to reset the LU3X31T-T64.
1 8	RESV	—	Reserved. These pins are unused inputs and should be tied to ground.

Table 9. Power and Ground

Plane	Vcc Pin		Associated Ground Pin	
	Name	Pin Number	Name	Pin Number
RX Analog	RXV _{DD1}	59	RXGND1	60
	RXV _{DD2}	64	RXGND2	63
TX Analog	TXV _{DD1}	51	TXGND1	52
	TXV _{DD2}	55	—	—
CS	CSV _{DD}	57	CSGND	56
	CSV _{DD}	58	—	—
Digital	V _{DD1}	15	GND1	14
	V _{DD4}	37	GND4	36
	V _{DD5}	13	—	—
	V _{DD6}	38	—	—
	V _{DD8}	25	GND8	26
	—	—	GND9	3
	EQV _{DD1}	7	EQGND1	6
Clock	XTLV _{DD}	46	—	—

Functional Description

The LU3X31T-T64 integrates a 100Base-X physical sublayer (PHY), a 100Base-TX physical medium dependent (PMD) transceiver, and a complete 10Base-T module into a single chip for both 10 Mb/s and 100 Mb/s Ethernet operation. This device provides an *IEEE* 802.3u compliant media independent interface (MII) to communicate between the physical signaling and the medium access control (MAC) layers for both 100Base-X and 10Base-T operations. The device is capable of operating in either full-duplex mode or half-duplex mode in either 10 Mb/s or 100 Mb/s operation. Operational modes can be selected by hardware configuration pins, selected by software settings of management registers, or determined by the on-chip autonegotiation logic.

The 10Base-T section of the device consists of the 10 Mb/s transceiver module with filters and a Manchester ENDEC module.

The 100Base-X section of the device implements the following functional blocks:

- 100Base-X physical coding sublayer (PCS)
- 100Base-X physical medium attachment (PMA)
- Twisted-pair transceiver

The 100Base-X and 10Base-T sections share the following functional blocks:

- Clock synthesizer module (CSM)
- MII registers
- *IEEE* 802.3u autonegotiation

Each of these functional blocks is described below.

Media Independent Interface (MII)

The LU3X31T-T64 implements an *IEEE* 802.3u Clause 22 compliant MII as described below.

Interface Signals

Transmit Data Interface. The MII transmit data interface comprises seven signals: TXD[3:0] are the nibble

size data path, TXEN signals the presence of data on TXD, TXER indicates that a transmit coding error has occurred, and TXCLK is the transmit clock that synchronizes all the transmit signals. TXCLK is supplied by the on-chip clock synthesizer.

Receive Data Interface. The MII receive data interface comprises seven signals: RXD[3:0] are the nibble size data path, RXDV signals the presence of data on RXD, RXER indicates a received coding error, and RXCLK is the receive clock. Depending upon the operation mode, RXCLK is generated by the clock recovery module of either the 100Base-X or 10Base-T receiver.

Status Interface. Two status signals, COL and CRS, are generated in the LU3X31T-T64 to indicate collision status and carrier sense status to the MAC. COL is asserted asynchronously whenever LU3X31T-T64 is transmitting and receiving at the same time in a half-duplex operation mode. In the full-duplex mode, COL is inactive. CRS is asserted asynchronously whenever there is activity on either the transmitter or the receiver. In full-duplex mode, CRS is asserted only when there is activity on the receiver.

Operation Modes

The LU3X31T-T64 supports three operation modes and an isolate mode as described below.

100 Mb/s Mode. For 100 Mb/s operation, the MII operates in nibble mode with a clock rate of 25 MHz. In normal operation, the MII data at RXD[3:0] and TXD[3:0] are 4 bits wide. In bypass mode (either *BYP_4B5B* or *BYP_ALIGN* option selected), the MII data takes the form of 5-bit code-groups. The least significant 4 bits appear on TXD[3:0] and RXD[3:0] as usual, and the most significant bits (TXD[4] and RXD[4]) appear on the TXER and RXER pins, respectively.

10 Mb/s Mode. For 10 Mb/s operation, the TXCLK and RXCLK operate at 2.5 MHz. The data paths are always 4 bits wide using TXD[3:0] and RXD[3:0] signal lines.

Functional Description (continued)

MII Isolate Mode. The LU3X31T-T64 implements an MII isolate mode that is controlled by bit 10 of the control register (register 0h). The LU3X31T-T64 will set this bit to one if the PHY address is set to 00000 upon powerup/hardware reset. Otherwise, the LU3X31T-T64 will initialize this bit to 0. Setting this bit to a 1 will put the LU3X31T-T64 into isolate mode.

The isolate mode can also be activated by setting the PHY address (bits 15 through 11 of register 19h) to 0 through the serial management interface, although the content of the isolate register is not affected by the modification of PHY address.

The LU3X31T-T64 does not respond to packet data present at TXD[3:0], TXEN, and TXER inputs and presents a high impedance on the TXCLK, RXCLK, RXDV, RXER, RXD[3:0], COL, and CRS outputs. The LU3X31T-T64 will continue to respond to all management transactions.

Serial Management Interface

The serial management interface (SMI) is the part of the MII that is used to control and monitor status of the LU3X31T-T64. This mechanism corresponds to the MII specification for 100Base-X (Clause 22) and supports registers 0 through 6. Additional vendor-specific registers are implemented within the range of 16 to 31. All the registers are described in MII Registers on page 21 of this data sheet.

Management Register Access. The SMI consists of two pins, management data clock (MDC) and management data input/output (MDIO). The LU3X31T-T64 is designed to support an MDC frequency ranging up to the *IEEE* specification of 2.5 MHz. The MDIO line is bi-directional and may be shared by up to 32 devices.

The MDIO pin requires a 1.5 k Ω pull-up resistor which, during IDLE and turnaround periods, will pull MDIO to a logic 1 state. Each MII management data frame is 64 bits long. The first 32 bits are preamble consisting of 32 contiguous logic 1 bits on MDIO and 32 corresponding cycles on MDC. Following preamble is the start-of-frame field indicated by a <01> pattern. The next field signals the operation code (OP): <10> indicates READ from MII management register operation, and <01> indicates WRITE to MII management register operation. The next two fields are PHY device address and MII management register address. Both of them are 5 bits wide, and the most significant bit is transferred first.

During READ operation, a 2-bit turnaround (TA) time spacing between register address field and data field is

provided for the MDIO to avoid contention. Following the turnaround time, a 16-bit data stream is read from or written into the MII management registers of the LU3X31T-T64.

The LU3X31T-T64 supports a preamble suppression mode as indicated by a 1 in bit 6 of the basic mode status register (BMSR, address 01h). If the station management entity (i.e., MAC or other management controller) determines that all PHYs in the system support preamble suppression by returning a 1 in this bit, then the station management entity need not generate preamble for each management transaction. The LU3X31T-T64 requires a single initialization sequence of 32 bits of preamble following powerup/hardware reset. This requirement is generally met by the mandatory pull-up resistor on MDIO or the management access made to determine whether preamble suppression is supported. While the LU3X31T-T64 will respond to management accesses without preamble, a minimum of one idle bit between management transactions is required as specified in *IEEE* 802.3u.

The PHY device address for LU3X31T-T64 is stored in the PHY address register (register address 19h). It is initialized by the five I/O pins designated as PHY[4:0] during powerup or hardware reset and can be changed afterward by writing into register address 19h.

MDIO Interrupt. The LU3X31T-T64 implements interrupt capability that can be used to notify the management station of certain events. It generates an active-high interrupt signal on the MDIOINTZ output pin whenever one of the interrupt status registers (register address 1Eh) becomes set while its corresponding interrupt mask register (register address 1Dh) is unmasked. Reading the interrupt status register (register 1Eh) shows the source of the interrupt and clears the interrupt output signal.

In addition to the MDIOINTZ pin, the LU3X31T-T64 can also support the interrupt scheme used by the *TI ThunderLAN*^{*} MAC. This option can be enabled by setting bit 11 of register 17h. Whenever this bit is set, the interrupt is signaled through both the MDIOINTZ pin and embedded in the MDIO signal.

100Base-X Module

The LU3X31T-T64 implements a 100Base-X compliant PCS and PMA and 100Base-TX compliant TP-PMD as illustrated in Figure 3. Bypass options for each of the major functional blocks within the 100Base-X PCS provides flexibility for various applications. 100 Mbits/s PHY loopback is included for diagnostic purposes.

* *TI* is a registered trademark and *ThunderLAN* is a trademark of Texas Instruments, Inc.

Functional Description (continued)

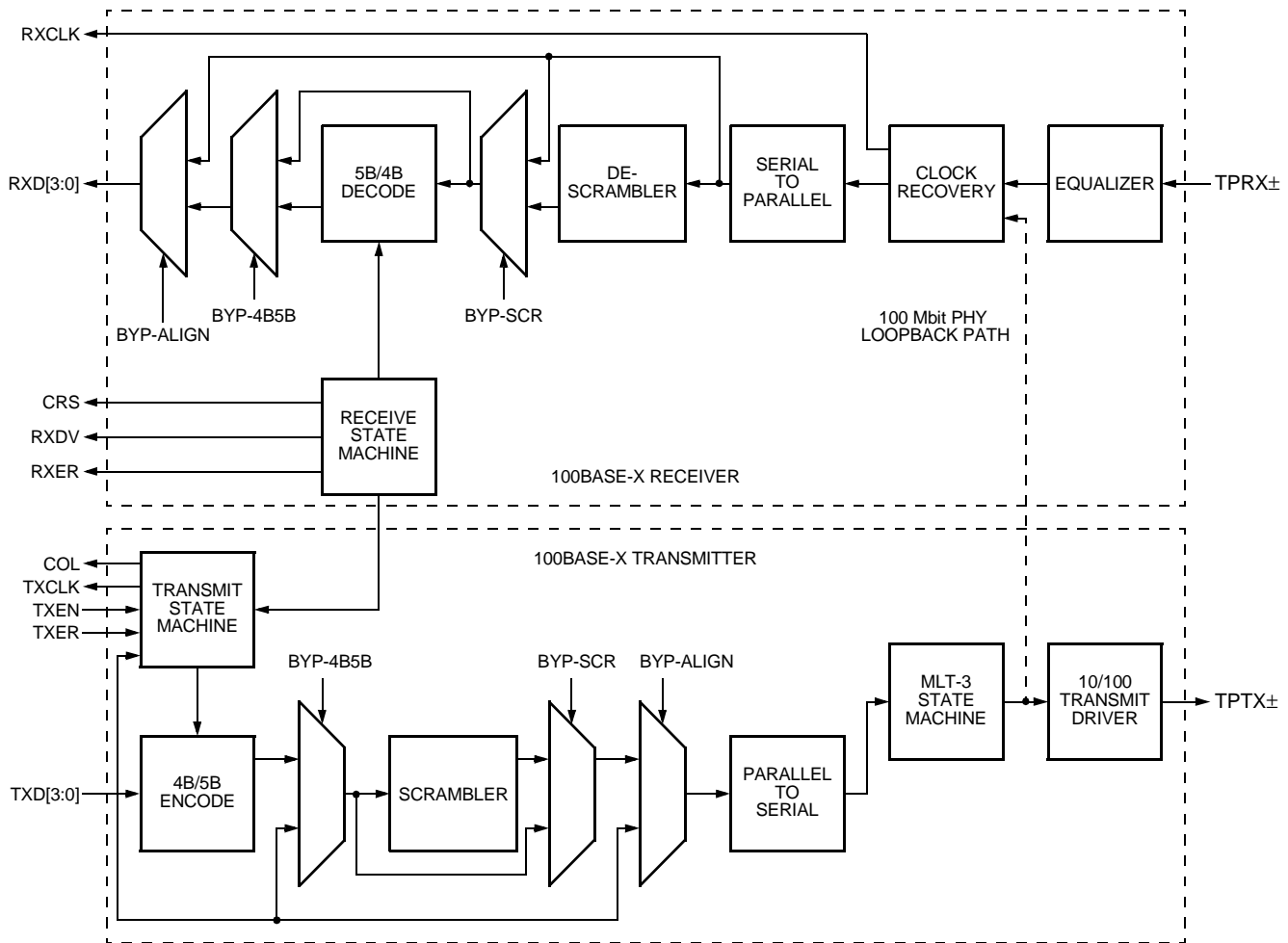


Figure 3. 100Base-X Data Path

5-6781(F).ar.2

100Base-X Transmitter

The 100Base-X transmitter consists of functional blocks which convert synchronous 4-bit nibble data, as provided by the MII, to a 125 Mbits/s serial data stream. The LU3X31T-T64 implements the 100Base-X transmit state machine as specified in the *IEEE 802.3u* Standard, Clause 24 and comprises the following functional blocks in its data path:

- Symbol encoder
- Scrambler block
- Parallel/serial converter and NRZ/NRZI encoder block

Symbol Encoder. The symbol encoder converts 4-bit (4B) nibble data generated by the MAC into 5-bit (5B)

symbols for transmission. This conversion is required to allow control symbols to be combined with DATA symbols. Refer to the table below for 4B to 5B symbol mapping.

Following onset of the TXEN signal, the 4B/5B symbol encoder replaces the first two nibbles of the preamble from the MAC frame with a /J/K code-group pair (11000 10001) start-of-stream delimiter (SSD). The symbol encoder then replaces subsequent 4B codes with corresponding 5B symbols. Following negation of the TXEN signal, the encoder substitutes the first two IDLE symbols with a /T/R code-group pair (01101 00111) end-of-stream delimiter (ESD) and then continuously injects IDLE symbols into the transmit data stream until the next transmit packet is detected.

Functional Description (continued)

Assertion of the TXER input while the TXEN input is also asserted will cause the LU3X31T-T64 to substitute HALT code-groups for the 5B code derived from data present at TXD[3:0]. However, the SSD (/J/K) and ESD (/T/R) will not be substituted with HALT code-groups. Hence, the assertion of TXER while TXEN is asserted

will result in a frame properly encapsulated with the /J/ K and /T/R delimiters which contains HALT code-groups in place of the DATA code-groups.

The 100 Mbits/s symbol decoder translates all invalid code groups into 0Eh by default. In case the ACCEPT HALT register is set (bit 5 of register 18h), the HALT code-group (00100) is translated into 05h instead.

Table 10. Symbol Code Scrambler

Symbol Name	5B Code [4:0]	4B Code [3:0]	Interpretation
0	11110	0000	DATA 0
1	01001	0001	DATA 1
2	10100	0010	DATA 2
3	10101	0011	DATA 3
4	01010	0100	DATA 4
5	01011	0101	DATA 5
6	01110	0110	DATA 6
7	01111	0111	DATA 7
8	10010	1000	DATA 8
9	10011	1001	DATA 9
A	10110	1010	DATA A
B	10111	1011	DATA B
C	11010	1100	DATA C
D	11011	1101	DATA D
E	11100	1110	DATA E
F	11101	1111	DATA F
I	11111	undefined	IDLE: interstream fill code
J	11000	0101	First start-of-stream delimiter
K	10001	0101	Second start-of-stream delimiter
T	01101	undefined	First end-of-stream delimiter
R	00111	undefined	Second end-of-stream delimiter
H	00100	undefined	HALT: transfer error
V	00000	undefined	Invalid code
V	00001	undefined	Invalid code
V	00010	undefined	Invalid code
V	00011	undefined	Invalid code
V	00101	undefined	Invalid code
V	00110	undefined	Invalid code
V	01000	undefined	Invalid code
V	01100	undefined	Invalid code
V	10000	undefined	Invalid code
V	11001	undefined	Invalid code

Functional Description (continued)

Scrambler. For 100Base-TX applications, the scrambler is required to control the radiated emissions at the media connector and on the twisted-pair cable.

The LU3X31T-T64 implements a data scrambler as defined by the TP-PMD stream cipher function. The scrambler uses an 11-bit ciphering linear feedback shift register (LFSR) with the following recursive linear function:

$$X[n] = X[n - 11] + X[n - 9] \text{ (modulo 2)}$$

The output of the LFSR is combined with the 5B data from the symbol encoder via an exclusive-OR logic function. By scrambling the data, the total energy launched onto the cable is randomly distributed over a wide frequency range.

A seed value for the scrambler function can be loaded by setting bit 4 of register 18h. When this bit is set, the content of bits 10 through 0 of register 19h, which consists of the 5-bit PHY address and a 6-bit user seed, will be loaded into the LFSR. By specifying unique seed value for each PHY in a system, the total EMI energy produced by a repeater application can be reduced.

Parallel-to-Serial & NRZ-to-NRZI Conversion. After the transmit data stream is scrambled, the 5-bit code-group is loaded into a shift register and clocked out with a 125 MHz clock into a serial bit stream. The serialized data is further converted from NRZ to NRZI format, which produces a transition on every logic 1 and no transition on logic 0.

Collision Detect. During 100 Mbps/s half-duplex operation, a collision condition is indicated if the transmitter and receiver become active simultaneously. A collision condition is indicated by the COL pin (pin 39). For full-duplex applications, the COL signal is never asserted. A collision test register exists at address 0, bit 7.

100Base-X Receiver

The 100Base-X receiver consists of functional blocks required to recover and condition the 125 Mbps/s receive data stream. The LU3X31T-T64 implements the 100Base-X receive state machine diagram as given in *ANSI/IEEE Standard 802.3u*, Clause 24. The 125 Mbps/s receive data stream originates from in a 100Base-TX application.

The receiver block consists of the following functional blocks:

- Clock recovery module
- NRZI/NRZ and serial/parallel decoder
- Descrambler
- Symbol alignment block
- Symbol decoder
- Collision detect block
- Carrier sense block
- Stream decoder block

Clock Recovery. The clock recovery module accepts 125 Mbps/s scrambled NRZI data stream from either the on-chip 100Base-TX receiver or from an external 100Base-FX transceiver. The LU3X31T-T64 uses an onboard digital phase-locked loop (PLL) to extract clock information of the incoming NRZI data, which is then used to retune the data stream and set data boundaries.

After power-on or reset, the PLL locks to a free-running 25 MHz clock derived from the external clock source. When initial lock is achieved, the PLL switches to lock to the data stream, extracts a 125 MHz clock from the data, and uses it for bit framing of the recovered data.

NRZI-to-NRZ & Serial-to-Parallel Conversion. The recovered data is converted from NRZI to NRZ and then to a 5-bit parallel format for the LU3X31T-T64 descrambler. The 5-bit parallel data is not necessarily aligned to 4B/5B code-group's boundary.

Data Descrambling. The scrambled data is presented in groups of 5 bits (quints) to a deciphering circuit that reverses the data scrambling process performed by the transmitter. The descrambler acquires synchronization with the data stream by recognizing IDLE bursts of 40 or more bits and locking its deciphering linear feedback shift register (LFSR) to the state of the scrambling LFSR. Upon achieving synchronization, the incoming data is XORed by the deciphering LFSR and descrambled, again in groups of 5 bits (quints).

In order to maintain synchronization, the descrambler continuously monitors the validity of the unscrambled data that it generates. To ensure this, a link state monitor and a hold timer are used to constantly monitor the synchronization status. Upon synchronization of the descrambler, the hold timer starts a 722 μ s countdown.

Functional Description (continued)

Upon detection of sufficient IDLE symbols within the 722 μ s period, the hold timer will reset and begin a new countdown. This monitoring operation will continue indefinitely given a properly operating network connection with good signal integrity. If the link state monitor does not recognize sufficient unscrambled IDLE symbols within the 722 μ s period, the entire descrambler will be forced out of the current state of synchronization and reset in order to reacquire synchronization. Register 18h, bit 3, can be used to extend the timer to 2000 μ s.

Symbol Alignment. The symbol alignment circuit in the LU3X31T-T64 determines code word alignment by recognizing the /J/K delimiter pair. This circuit operates on unaligned 5-bit data from the descrambler and is capable of finding /J/K at any of the five possible starting positions within the descrambled data quints. Once the /J/K symbol pair (11000 10001) is detected, subsequent data is aligned on a fixed boundary.

Symbol Decoding. The symbol decoder functions as a look-up table that translates incoming 5B symbols into 4B nibbles. The symbol decoder first detects the /J/K symbol pair preceded by IDLE symbols and replaces the symbol with MAC preamble. All subsequent 5B symbols are converted to the corresponding 4B nibbles for the duration of the entire packet. This conversion ceases upon the detection of the /T/R symbol pair denoting the end of stream delimiter (ESD). The translated data is presented on the RXD[3:0] signal lines with RXD[0] representing the least significant bit of the translated nibble.

Valid Data Signal. The valid data signal (RXDV) indicates that recovered and decoded nibbles are being presented on the RXD[3:0] outputs synchronous to RXCLK. RXDV is asserted when the first nibble of translated /J/K is ready for transfer over the media independent interface (MII). It remains active until either the /T/R delimiter is recognized, link test indicates failure, or no signal is detected. On any of these conditions, RXDV is deasserted.

Receiver Errors. The RXER signal is used to communicate receiver error conditions. While the receiver is in a state of holding RXDV asserted, the RXER will be asserted for each code word that does not map to a valid code-group.

100Base-X Link Monitor

The 100Base-X link monitor function allows the receiver to ensure that reliable data is being received. Without reliable data reception, the link monitor will halt both transmit and receive operations until such time that a valid link is detected.

The LU3X31T-T64 performs the link integrity test as outlined in *IEEE 100Base-X* (Clause 24) link monitor state diagram. The link status is multiplexed with the 10 Mbits/s link status to form the reportable link status bit in serial management register 1. This status also drives the LNKLED pin.

When persistent signal energy is detected on the network, the logic moves into a Link-Ready state, after approximately 500 μ s, and waits for an enable from the autonegotiation module. When received, the link-up state is entered, and the transmit and receive logic blocks become active. Should autonegotiation be disabled, the link integrity logic moves immediately to the link-up state after entering the link-ready state.

Carrier Sense. Carrier sense (CRS) for 100 Mbits/s operation is asserted upon the detection of two non-contiguous zeros occurring within any 10-bit boundary of the receive data stream.

The carrier sense function is independent of symbol alignment. For 100 Mbits/s half-duplex operation, CRS is asserted during either packet transmission or reception. For 100 Mbits/s full-duplex operation, CRS is asserted only during packet reception. When the IDLE symbol pair is detected in the receive data stream, CRS is deasserted.

Bad SSD Detection. A bad start of stream delimiter (Bad SSD) is an error condition that occurs in the 100Base-X receiver if carrier is detected (CRS asserted) and a valid /J/K set of code groups (SSD) is not received.

If this condition is detected, then the LU3X31T-T64 will assert RXER and present RXD[3:0] = 1110 to the MII for the cycles that correspond to received 5B code-groups until at least two IDLE code groups are detected. Once at least two IDLE code groups are detected, RXER and CRS become deasserted.

Functional Description (continued)

100Base-TX Transceiver

LU3X31T-T64 implements a TP-PMD compliant transceiver for 100Base-TX operation. The differential transmit driver is shared by the 10Base-T and 100Base-TX subsystems. This arrangement results in one device that uses the same external magnetics for both the 10Base-T and the 100Base-TX transmission with simple RC component connections. The individually wave-shaped 10Base-T and 100Base-TX transmit signals are multiplexed in the transmit output driver.

Transmit Drivers

The LU3X31T-T64 100Base-TX transmit driver implements MLT-3 translation and wave-shaping functions. The rise/fall time of the output signal is closely controlled to conform to the target range specified in the ANS/ TP-PMD standard.

Twisted-Pair Receiver

For 100Base-TX operation, the incoming signal is detected by the on-chip twisted-pair receiver that comprises the differential line receiver, an adaptive equalizer, and baseline wander compensation circuits.

The LU3X31T-T64 uses an adaptive equalizer which changes filter frequency response in accordance with

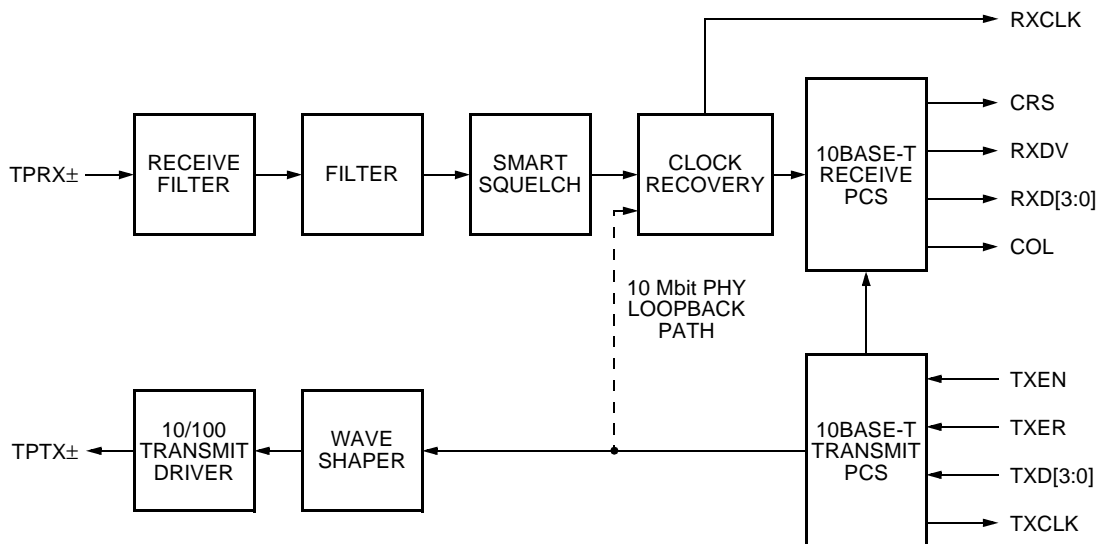
cable length. The cable length is estimated based on the incoming signal strength. The equalizer tunes itself automatically for any cable length to compensate for amplitude and phase distortions incurred from the cable.

10Base-T Module

The 10Base-T Transceiver Module is *IEEE* 802.3 compliant. It includes the receiver, transmitter, collision, heartbeat, loopback, jabber, waveshaper, and link integrity functions, as defined in the standard. Figure 4 provides an overview for the 10Base-T module.

The LU3X31T-T64 10Base-T module is comprised of the following functional blocks:

- Manchester encoder and decoder
- Collision detector
- Link test function
- Transmit driver and receiver
- Serial and parallel interface
- Jabber and SQE test functions
- Polarity detection and correction



5-6782(F)r3

Figure 4. 10Base-T Module Data Path

Functional Description (continued)

Operation Modes

The LU3X31T-T64 10Base-T module is capable of operating in either half-duplex mode or full-duplex mode. In half-duplex mode, the LU3X31T-T64 functions as an *IEEE* 802.3 compliant transceiver with fully integrated filtering. The COL pin signals collision, and the CRS is asserted during transmit and receive. In full-duplex mode, the LU3X31T-T64 can simultaneously transmit and receive data.

Manchester Encoder/Decoder. Data encoding and transmission begins when the transmit enable input (TXEN) goes high and continues as long as the transceiver is in good link state. Transmission ends when the transmit enable input goes low. The last transition occurs at the center of the bit cell if the last bit is a 1, or at the boundary of the bit cell if the last bit is 0.

Decoding is accomplished by a differential input receiver circuit and a phase-locked loop that separates the Manchester-encoded data stream into clock signals and NRZ data. The decoder detects the end of a frame when no more midbit transitions are detected. Within one and a half bit times after the last bit, carrier sense is deasserted.

Transmit Driver and Receiver. LU3X31T-T64 integrates all the required signal conditioning functions in its 10Base-T block such that external filters are not required. Only an isolation transformer and impedance matching resistors are needed for the 10Base-T transmit and receive interface. The internal transmit filtering ensures that all the harmonics in the transmit signal are attenuated properly.

Smart Squelch. The smart squelch circuit is responsible for determining when valid data is present on the differential receive. The LU3X31T-T64 implements an intelligent receive squelch on the TPRX± differential inputs to ensure that impulse noise on the receive inputs will not be mistaken for a valid signal. The squelch circuitry employs a combination of amplitude and timing measurements (as specified in the *IEEE* 802.3 10Base-T standard) to determine the validity of data on the twisted-pair inputs.

The signal at the start of the packet is checked by the analog squelch circuit, and any pulses not exceeding the squelch level (either positive or negative, depending upon polarity) will be rejected. Once this first squelch level is overcome correctly, the opposite squelch level must then be exceeded within 150 ns. Finally, the signal must exceed the original squelch level within a further 150 ns to ensure that the input

waveform will not be rejected.

Only after all of these conditions have been satisfied will a control signal be generated to indicate to the remainder of the circuitry that valid data is present.

Valid data is considered to be present until the squelch level has not been generated for a time longer than 200 ns, indicating end of packet. Once good data has been detected, the squelch levels are reduced to minimize the effect of noise causing premature end of packet detection. The receive squelch threshold level can be lowered for use in longer cable applications. This is achieved by setting bit 11 of register address 1Ah.

Carrier Sense. Carrier sense (CRS) is asserted due to receive activity once valid data is detected via the smart squelch function.

For 10 Mb/s half-duplex operation, CRS is asserted during either packet transmission or reception.

For 10 Mb/s full-duplex operation, the CRS is asserted only on receive activity. CRS is deasserted following an end of packet.

Collision Detection. For half-duplex operation, a 10Base-T collision is detected when the receive and transmit channels are active simultaneously. Collisions are reported by the COL signal. If the ENDEC is transmitting when a collision is detected, the COL signal remains set for the duration of the collision.

SQE Test Function. Approximately 1 μ s after the transmission of each packet, a signal quality error (SQE) signal of approximately 10 bit times is generated (internally) to indicate successful transmission. SQE is reported as a pulse on the COL signal. This function can be disabled by setting bit 12 of register 1Ah. The SQE test function is disabled in full-duplex mode.

Jabber Function. The jabber function monitors the LU3X31T-T64's output and disables the transmitter if it attempts to transmit a longer than legal-sized packet. If TXEN is high for greater than 24 ms, the 10Base-T transmitter will be disabled and COL will go high.

Once disabled by the jabber function, the transmitter stays disabled for the entire time that the TXEN signal is asserted. This signal has to be deasserted for approximately 256 ms (the unjab time) before the jabber function re-enables the transmit outputs and deasserts COL signal.

The jabber function can be disabled by setting bit 10 of register 1Ah.

Functional Description (continued)

Link Test Function. A link pulse is used to check the integrity of the connection with the remote end. If valid link pulses are not received, the link detector disables the 10Base-T twisted-pair transmitter, receiver, and collision detection functions.

The link pulse generator produces pulses as defined in the *IEEE* 802.3 10Base-T standard. Each link pulse is nominally 100 ns in duration and is transmitted every 16 ms, in the absence of transmit data.

Automatic Link Polarity Detection. The LU3X31T-T64's 10Base-T Transceiver Module incorporates an automatic link polarity detection circuit. The inverted polarity is determined when seven consecutive link pulses of inverted polarity or three consecutive receive packets are received with inverted end of packet pulses. If the input polarity is reversed, the error condition will be automatically corrected and reported in bit 15 of register 1Ch.

The automatic link polarity detection function can be disabled by setting bit 3 of register 1Ah.

Clock Synthesizer

The LU3X31T-T64 implements a clock synthesizer that generates all the reference clocks needed from a single external frequency source. The clock source can be a quartz crystal or a TTL level signal at 25 MHz \pm 50 ppm, as shown in Figure 15.

Autonegotiation

The autonegotiation function provides a mechanism for exchanging configuration information between two ends of a link segment and automatically selecting the highest-performance mode of operation supported by both devices. Fast link pulse (FLP) bursts provide the signaling used to communicate autonegotiation abilities between two devices at each end of a link segment. For further detail regarding autonegotiation, refer to Clause 28 of the *IEEE* 802.3u specification. The LU3X31T-T64 supports four different Ethernet protocols, so the inclusion of autonegotiation ensures that the highest-performance protocol will be selected based on the ability of the link partner.

The autonegotiation function within the LU3X31T-T64 can be controlled either by internal register access or by the use of configuration pins. At powerup and at device reset, the configuration pins are sampled. If disabled, autonegotiation will not occur until software

enables bit 12 in register 0. If autonegotiation is enabled, the negotiation process will commence immediately.

When autonegotiation is enabled, the LU3X31T-T64 transmits the abilities programmed into the autonegotiation advertisement register at address 04h via FLP bursts. Any combination of 10 Mbits/s, 100 Mbits/s, half-duplex, and full-duplex modes may be selected. Autonegotiation controls the exchange of configuration information. Upon successful autonegotiation, the abilities reported by the link partner are stored in the autonegotiation link partner ability register at address 05h.

The contents of the autonegotiation link partner ability register are used to automatically configure to the highest-performance protocol between the local and far-end nodes. Software can determine which mode has been configured by autonegotiation by comparing the contents of register 04h and 05h and then selecting the technology whose bit is set in both registers of highest priority relative to the following list:

1. 100Base-TX full duplex (highest priority)
2. 100Base-TX half duplex
3. 10Base-T full duplex
4. 10Base-T half duplex (lowest priority)

The basic mode control register (BMCR) at address 00h provides control of enabling, disabling, and restarting of the autonegotiation function. When autonegotiation is disabled, the speed selection bit (bit 13) controls switching between 10 Mbits/s or 100 Mbits/s operation, while the duplex mode bit (bit 8) controls switching between full-duplex operation and half-duplex operation. The speed selection and duplex mode bits have no effect on the mode of operation when the autonegotiation enable bit (bit 12) is set.

The basic mode status register (BMSR) at address 01h indicates the set of available abilities for technology types (bits 15 to 11), autonegotiation ability (bit 3), and extended register capability (bit 0). These bits are hard-wired to indicate the full functionality of the LU3X31T-T64. The BMSR also provides status on:

1. Whether autonegotiation is complete (bit 5).
2. Whether the link partner is advertising that a remote fault has occurred (bit 4).
3. Whether a valid link has been established (bit 2).

The autonegotiation advertisement register at address 04h indicates the autonegotiation abilities to be advertised by the LU3X31T-T64. All available abilities are transmitted by default, but any ability can be suppressed by writing to this register or configuring external pins.

Functional Description (continued)

The autonegotiation link partner ability register at address 05h indicates the abilities of the link partner as indicated by autonegotiation communication. The contents of this register are considered valid when the autonegotiation complete bit (bit 5, register address 01h) is set.

Reset Operation

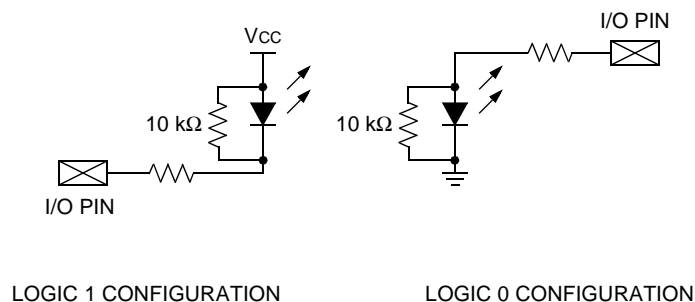
The LU3X31T-T64 can be reset either by hardware or software. A hardware reset is accomplished by applying a negative pulse, with a duration of at least 1 ms, to the RSTZ pin of the LU3X31T-T64 during normal operation. A software reset is activated by setting the RESET bit in the basic mode control register (bit 15, register 00h). This bit is self-clearing and, when set, will return a

value of 1 until the software reset operation has completed.

Both hardware and software reset operations initialize all registers to their default values. This process includes re-evaluation of all hardware-configurable registers.

Logic levels on several I/O pins are detected during hardware reset period to determine the initial functionality of LU3X31T-T64. Some of these pins are used as outputs after the reset operation.

Care must be taken to ensure that the configuration setup will not interfere with normal operation. Dedicated configuration pins can be tied to V_{CC} or ground directly. Configuration pins multiplexed with logic-level output functions should be either weakly pulled up or weakly pulled down through resistors. Configuration pins multiplexed with LED outputs should be set up with one of the following circuits shown in Figure 5.



Note: The 10 kΩ resistor is only for nondefault configuration.

5-6783(F).r2

Figure 5. Hardware Reset Configurations

PHY Address

During hardware reset, the logic levels of pins 10, 12, 16, 34, and 39 are latched into bits 4 through 0 of management register at address 19h, respectively. This 5-bit address is used as the PHY address for serial management interface communication. Note that initializing the PHY address to zero automatically isolates the MII interface.

Autonegotiation and Speed Configuration

The five pins listed in Table 11 configure the speed capability of LU3X31T-T64. The logic state of these pins, at powerup or reset, are latched into the advertisement register (register address 04h) for autonegotiation purpose. These pins are also used for evaluating the default value in the base mode control register (register 00h) according to Table 11.

Functional Description (continued)

Table 11. Autonegotiation

Configuration Pins at RESET					Registers Initial Value		
AUTOEN Pin 4	100FDEN Pin 2 (Reg 4.8)	100HDEN Pin 11 (Reg 4.7)	10FDEN Pin 17 (Reg 4.6)	10HDEN Pin 43 (Reg 4.5)	Autonegotiate Reg 0.12	Speed Reg 0.13	Duplex Reg 0.8
0	1	X	X	X	0	1	1
0	0	1	1	X	0	1	1
0	0	1	0	X	0	1	0
0	0	0	1	X	0	0	1
0	0	0	0	1	0	0	0
1	X	X	X	X	1	0	0

100Base-X PCS Configuration

The logic state of BPSCR, BP4B5B, and BPALIGN pins latched into bits 15, 14, and 12 of the Config 100 register at address 18h during powerup or reset. These registers configure the functionality of 100Base-X PCS (physical coding sublayer) MII registers.

Table 12. MII Management Registers

Address	Register Name	Basic/Extended
0h	Control Register	B
1h	Status Register	B
2h—3h	PHY Identifier Register	E
4h	Autonegotiation Advertisement Register	E
5h	Autonegotiation Link Partner Ability Register	E
6h	Autonegotiation Expansion Register	E
7h—Fh	<i>IEEE</i> Reserved	E
15h	Receive Error Counter	E
17h	PHY Control/Status Register	E
18h	Config 100 Register	E
19h	PHY Address Register	E
1Ah	Config 10 Register	E
1Bh	Status 100 Register	E
1Ch	Status 10 Register	E
1Dh	Interrupt Mask Register	E
1Eh	Interrupt Status Register	E

MII Registers

Legend:

RO Read only.
R/W Read and write capable.
SC Self-clearing.
LL Latching low, unlatch on read.
LH Latching high, unlatch on read.
COR Clear on read.

Table 13. Control Register (Register 0h)

Bit(s)	Name	Description	R/W	Default
15	Reset	1—PHY Reset. 0—Normal operation. Setting this bit initiates the software reset function that resets the entire LU3X31T-T64 device, except for the phase-locked loop circuit. It will relatch in all hardware configuration pin values and set all registers to their default values. The software reset process takes 25 μ s to complete. This bit, which is self-clearing, returns a value of 1 until the reset process is complete.	R/W SC	0h
14	Loopback	1—Enable loopback mode. 0—Disable loopback mode. This bit controls the PHY loopback operation that isolates the network transmitter outputs (TPTX \pm) and routes the MII transmit data to the MII receive data path. This function should only be used when autonegotiation is disabled (bit 12 = 0). The specific PHY (10Base-T or 100Base-X) used for this operation is determined by bits 12 and 13 of this register.	R/W	0h
13	Speed Selection	1—100 Mbits/s. 0—10 Mbits/s. Link speed is selected by this bit or by autonegotiation if bit 12 of this register is set (in which case, the value of this bit is ignored). At powerup or reset, this bit will be set unless AUTONEN, 100FDEN, and 100HDEN pin are all in logic low state.	R/W	Pin
12	Autonegotiation Enable	1—Enable autonegotiation process. 0—Disable autonegotiation process. This bit determines whether the link speed should be set up by the autonegotiation process. It is set at powerup or reset if the AUTONEN pin (pin 4) detects a logic 1 input level.	R/W	Pin

MII Registers (continued)

Table 13. Control Register (Register 0h) (continued)

Bit(s)	Name	Description	R/W	Default
11	Powerdown	1—Powerdown. 0—Normal operation. Setting this bit puts the LU3X31T-T64 into powerdown mode. During the powerdown mode, TPTX± and all LED outputs are 3-stated, and the MII interface is isolated. RSTZ is used to clear this bit.	R/W	0h
10	Isolate	1—Isolate PHY from MII. 0—Normal operation. Setting this control bit isolates the LU3X31T-T64 from the MII, with the exception of the serial management interface. When this bit is asserted, the LU3X31T-T64 does not respond to TXD[3:0], TXEN, and TXER inputs, and it presents a high impedance on its TXCLK, RXCLK, RXDV, RXER, RXD[3:0], COL, and CRS outputs. This bit is initialized to 0 unless the configuration pins for the PHY address are set to 00000h during powerup or reset.	R/W	Pin
9	Restart Autonegotiation	1—Restart autonegotiation process. 0—Normal operation. Setting this bit while autonegotiation is enabled forces a new autonegotiation process to start. This bit is self-clearing and returns to 0 after the autonegotiation process is completed.	R/W, SC	0h
8	Duplex Mode	1—Full-duplex mode. 0—Half-duplex mode. If autonegotiation is disabled, this bit determines the duplex mode for the link. At powerup or reset, this bit is set to 1 if the AUTONEN pin (pin 4) detects a logic 0 and either 100FDEN (pin 2) or 10FDEN pin (pin 17) detects a logic 1.	R/W	Pin
7	Collision Test	1—Enable COL signal test. 0—Disable COL signal test. When set, this bit will cause the COL signal to be asserted in response to the assertion of TXEN.	R/W	0h
6:0	Reserved	Not used.	RO	0h

MII Registers (continued)

Table 14. Status Register (Register 1h)

Bit(s)	Name	Description	R/W	Default
15	100Base-T4	1—Capable of 100Base-T4. 0—Not capable of 100Base-T4. This bit is hardwired to 0, indicating that the LU3X31T-T64 does not support 100Base-T4.	RO	0h
14	100Base-X Full-duplex	1—Capable of 100Base-X full-duplex mode. 0—Not capable of 100Base-X full-duplex mode. This bit is hardwired to 1, indicating that the LU3X31T-T64 supports 100Base-X full-duplex mode.	RO	1h
13	100Base-X Half-duplex	1—Capable of 100Base-X half-duplex mode. 0—Not capable of 100Base-X half-duplex mode. This bit is hardwired to 1, indicating that the LU3X31T-T64 supports 100Base-X half-duplex mode.	RO	1h
12	10 Mbits/s Full-duplex	1—Capable of 10 Mbits/s full-duplex mode. 0—Not capable of 10 Mbits/s full-duplex mode. This bit is hardwired to 1, indicating that the LU3X31T-T64 supports 10Base-T full-duplex mode.	RO	1h
11	10 Mbits/s Half-duplex	1—Capable of 10 Mbits/s half-duplex mode. 0—Not capable of 10 Mbits/s half-duplex mode. This bit is hardwired to 1, indicating that the LU3X31T-T64 supports 10Base-T half-duplex mode.	RO	1h
10	100Base-T2	1—Capable of 100Base-T2. 0—Not capable of 100Base-T2. This bit is hardwired to 0, indicating that the LU3X31T-T64 does not support 100Base-T2.	RO	0h
9:7	Reserved	Ignore when read.	RO	0h
6	MF Preamble Suppression	1—Accepts management frames with preamble suppressed. 0—Will not accept management frames with preamble suppressed. This bit is hardwired to 1, indicating that the LU3X31T-T64 accepts management frame without preamble. A minimum of 32 preamble bits are required following power-on or hardware reset. One IDLE bit is required between any two management transactions as per <i>IEEE 802.3u</i> specification.	RO	1h

MII Registers (continued)

Table 14. Status Register (Register 1h) (continued)

Bit(s)	Name	Description	R/W	Default
5	Autonegotiation Complete	1—Autonegotiation process completed. 0—Autonegotiation process not completed. If autonegotiation is enabled, this bit indicates whether the autonegotiation process has been completed.	RO	0h
4	Remote Fault	1—Remote fault detected. 0—Remote fault not detected. This bit is latched to 1 if the RF bit in the autonegotiation link partner ability register (bit 13, register address 05h) is set or the receive channel meets the far-end fault indication function criteria. It is unlatched when this register is read.	RO, LH	0h
3	Autonegotiation Ability	1—Capable of autonegotiation. 0—Not capable of autonegotiation. This bit defaults to 1, indicating that the LU3X31T-T64 is capable of autonegotiation.	RO	1h
2	Link Status	1—Link is up. 0—Link is down. This bit reflects the current state of the link-test-fail state machine. Loss of a valid link causes a 0 latched into this bit. It remains 0 until this register is read by the serial management interface.	RO, LL	0h
1	Jabber Detect	1—Jabber condition detected. 0—Jabber condition not detected. During 10Base-T operation, this bit indicates the occurrence of a jabber condition. It is implemented with a latching function so that it becomes set until it is cleared by a read.	RO, LH	0h
0	Extended Capability	1—Extended register set. 0—No extended register set. This bit defaults to 1, indicating that the LU3X31T-T64 implements extended registers.	RO	1h

MII Registers (continued)

Table 15. PHY Identifier (Register 2h)

Bit(s)	Name	Description	R/W	Default
15:0	PHY-ID[31:16]	<i>IEEE</i> address.	RO	0043h

Table 16. PHY Identifier (Register 3h)

Bit(s)	Name	Description	R/W	Default
15:10	PHY-ID[15:10]	<i>IEEE</i> address.	RO	011101b
9:4	PHY-ID[9:4]	Model No.	RO	000001b
3:0	PHY-ID[3:0]	Rev. No.	RO	0001b

Table 17. Autonegotiation Advertisement (Register 4h)

Bit(s)	Name	Description	R/W	Default
15	Next Page	1—Capable of next-page function. 0—Not capable of next-page function. This bit defaults to 0, indicating that LU3X31T-T64 is not next-page capable.	RO	0h
14	Reserved	Reserved.	RO	0h
13	Remote Fault	1—Remote fault has been detected. 0—No remote fault has been detected. This bit is written by serial management interface for the purpose of communicating the remote fault condition to the auto-negotiation link partner.	R/W	0h
12:10	<i>IEEE</i> Reserved	These 3 bits default to 0.	RO	0h
9	Technology Ability Field for 100Base-T4	This bit defaults to 0, indicating that the LU3X31T-T64 does not support 100Base-T4.	RO	0h
8:5	Technology Ability Field	This 4-bit field contains the advertised ability of this PHY. At powerup or reset, the logic level of 100FDEN, 100HDEN, 10FDEN, and 10HDEN pins are latched into bits 8 through 5, respectively.	R/W	Pin
4:0	Selector Field	These 5 bits are hardwired to 00001h, indicating that the LU3X31T-T64 supports <i>IEEE</i> 802.3 CSMA/CD.	RO	01h

Table 18. Autonegotiation Link Partner Ability (Register 5h)

Bit(s)	Name	Description	R/W	Default
15	Next Page	1—Capable of next-page function. 0—Not capable of next-page function.	RO	0h
14	Acknowledge	1—Link partner acknowledges reception of the ability data word. 0—Not acknowledged.	RO	0h
13	Remote Fault	1—Remote fault has been detected. 0—No remote fault has been detected.	RO	0h
12:5	Technology Ability Field	Supported technologies.	RO	0h
4:0	Selector Field	Encoding definitions.	RO	0h

MII Registers (continued)

Table 19. Autonegotiation Expansion Register (Register 6h)

Bit(s)	Name	Description	R/W	Default
15:5	Reserved	Reserved.	RO	0h
4	Parallel Detection Fault	1—Fault has been detected. 0—No fault detected. This bit is set if the parallel detection fault state of the autonegotiation arbitration state machine is visited during the auto-negotiation process. It will remain set until this register is read.	RO, LH	0h
3	Link Partner Next-page Able	1—Link partner is next-page capable. 0—Link partner is not next-page capable. This bit indicates whether the link partner is next-page capable. It is meaningful only when the autonegotiation complete bit (bit 5, register 1) is set.	RO	0h
2	Next-page Able	1—Local device is next-page capable. 0—Local device is not next-page capable. This bit defaults to 0, indicating that the LU3X31T-T64 is not next-page able.	RO	0h
1	Page Received	1—A new page has been received. 0—No new page has been received. This bit is latched to 1 when a new link code word page has been received. This bit is automatically cleared when the autonegotiation link partner ability register (register 05h) is read by management interface.	RO, LH	0h
0	Link Partner Autonegotiatable	1—Link partner is autonegotiable. 0—Link partner is not autonegotiable.	RO	0h

Table 20. Receive Error Counter (Register 15h)

Bit(s)	Name	Description	R/W	Default
15:0	RX Error Count	Number of receive errors since last reset. The counter is incremented once for each packet that has receive error condition detected. This counter may roll over depending on value of the CSMODE bit (bit 13 of register 17h).	RO, COR	0h

MII Registers (continued)

Table 21. PHY Control/Status Register (Register 17h)

Bit(s)	Name	Description	R/W	Default
15:14	Reserved	Reserved.	RO	0h
13	CSMODE	1—Counter sticks at FFFFh. 0—Counters roll over. This bit controls the operation of isolate counter, false carrier counter, and receive error counters.	R/W	0h
12	TPTXTR	1—3-state transmit pairs. 0—Normal operation. When this bit is set, the twisted-pair transmitter outputs are 3-stated. Note that the twisted-pair transmit driver can be 3-stated by either this bit or the TPTXTR pin (pin 5).	R/W	0h
11	ThunderLAN interrupt Enable	1—MDIO ThunderLAN interrupt enabled. 0—MDIO ThunderLAN interrupt disabled. This bit enables/disables the TI ThunderLAN interrupt mechanism.	R/W	0h
10	MF Preamble Suppression Enable	1—MDIO preamble suppression enabled. 0—MDIO preamble suppression disabled. LU3X31T-T64 can accept management frames without preamble as described in bit 6 of register 1h. This bit allows the user to enable or disable the preamble suppression function.	R/W	0h
9	Speed Status	1—Part is in 100 Mbits/s mode. 0—Part is in 10 Mbits/s mode. This value is not defined during the auto-negotiation period.	RO	0h
8	Duplex Status	1—Part is in full-duplex mode. 0—Part is in half-duplex mode. This value is not defined during the auto-negotiation period.	RO	0h
7	Activity LED On	1—LEDTX/ACTLED active on both transmit and receive. 0—LEDTX/ACTLED active on transmit only.	R/W	0h
6	LEDRX Off	1—3-state LEDRX output. 0—Normal operation.	R/W	0
5	LEDTX/ACTLED Off	1—3-state LEDTX/ACTLED output. 0—Normal operation.	R/W	0
4	LNKLED Off	1—3-state LNKLED output. 0—Normal operation.	R/W	0
3	LEDCOL Off	1—3-state LEDCOL output. 0—Normal operation.	R/W	0
2	LEDFD Off	1—3-state LEDFD output. 0—Normal operation.	R/W	0
1	LEDSP Off	1—3-state LEDSP output. 0—Normal operation.	R/W	0

MII Registers (continued)

Table 21. PHY Control/Status Register (Register 17h) (continued)

Bit(s)	Name	Description	R/W	Default
0	LED Pulse Stretching Disable	1—LED pulse stretching disabled. 0—LED pulse stretching enabled. When pulse stretching is enabled, all LED outputs are stretched to 48 ms—72 ms.	R/W	0

Table 22. Config 100 Register (Register 18h)

Bit(s)	Name	Description	R/W	Default
15	BPSCR	1—Disable scrambler/descrambler. 0—Enable scrambler/descrambler. This bit is initialized to the logic level of BPSCR pin (pin 41) at powerup or reset.	R/W	Pin
14	BP4B5B	1—Disable 4B/5B encoder/decoder. 0—Enable 4B/5B encoder/decoder. This bit is initialized to the logic level of BP4B5B pin (pin 42) at powerup or reset.	R/W	Pin
13	Reserved	Reserved.	RO	0h
12	BPALIGN	1—Pass unaligned data to MII. 0—Pass aligned data to MII. This bit is initialized to the logic level of BPALIGN pin (pin 44) at powerup or reset.	R/W	Pin
11:10	Reserved	Reserved.	RO	0h
9	Force Good Link 100	1—Force good link in 100 Mb/s mode. 0—Normal operation.	R/W	0h
8:6	Reserved	Reserved.	RO	0h
5	Accept Halt	1—Passes HALT symbols to the MII. 0—Normal operation.	R/W	0h
4	Load Seed	1—Loads the scrambler seed. 0—Normal operation. Setting this bit loads the user seed stored in register 19h into the 100Base-X scrambler. The content of this bit returns to 0 after the loading process is completed and no transmit is active.	R/W, SC	0h
3	Burst Mode	1—Burst mode. 0—Normal operation. Setting this bit expands the 722 μ s scrambler time-out period to 2,000 μ s.	R/W	0h
2:0	Reserved	Reserved.	RO	0h

MII Registers (continued)

Table 23. PHY Address Register (Register 19h)

Bit(s)	Name	Description	R/W	Default
15:11	Reserved	Reserved.	RO	0h
10:5	User Seed	User-modifiable seed data. When the load seed bit (bit 4 of register 18h) is set, bits 15 through 5 of this register are loaded into the 100Base-X scrambler.	R/W	21h
4:0	PHY Address	These 5 bits store the part address used by the serial management interface. PHY address of 0 has the special function of isolating the part from the MII. These bits are initialized to the logic levels of PHY[4:0] pins at powerup or reset.	R/W	Pin

Table 24. Config 10 Register (Register 1Ah)

Bit(s)	Name	Description	R/W	Default
15	Reserved	Reserved.	RO	0h
14	Force 10 Mbits/s Good Link	1—Force 10 Mbits/s good link. 0—Normal operation.	R/W	0h
13	Reserved	Reserved.	RO	0h
12	SQE Disable	1—Signal quality error test disabled. 0—Normal operation.	R/W	0h
11	Low Squelch Select	1—Low squelch level selected. 0—Normal squelch level selected.	R/W	0h
10	Jabber Disable	1—Jabber function disabled. 0—Normal operation.	R/W	0h
9:7	Reserved	Reserved.	RO	0h
6	Powerdown Mode	1—Powers down the LU3X31T-T64 completely. The part comes out of this mode after a reset is asserted and deasserted. 0—Normal operation.	R/W	0h
5:4	Reserved	Reserved.	RO	0h
3	Autopolarity Disable	1—Disable autopolarity function. 0—Enable autopolarity function.	R/W	0h
2:0	Reserved	Reserved.	RO	0h

MII Registers (continued)

Table 25. Status 100 Register (Register 1Bh)

Bit(s)	Name	Description	R/W	Default
15:14	Reserved	Reserved.	RO	0h
13	PLL Lock Status	1—100 Mbits/s PLL locked. 0—100 Mbits/s PLL not locked.	RO	0h
12:0	Reserved	Reserved.	RO	0h

Table 26. Status 10 Register (Register 1Ch)

Bit(s)	Name	Description	R/W	Default
15	Polarity	1—Polarity of cable is swapped. 0—Polarity of cable is correct.	RO	0h
14:0	Reserved	Reserved.	RO	0h

Table 27. Interrupt Mask Register (Register 1Dh)

Bit(s)	Name	Description	R/W	Default
15	Reserved	Reserved.	RO	0h
14	Receiver Error Counter Full	0—Enable interrupt. 1—Disable interrupt.	R/W	0h
13	Reserved	Reserved.	RO	0h
12	Remote Fault	0—Enable interrupt. 1—Disable interrupt.	R/W	0h
11	Autoneg. Complete	0—Enable interrupt. 1—Disable interrupt.	R/W	0h
10	Link Up	0—Enable interrupt. 1—Disable interrupt.	R/W	0h
9	Link Down	0—Enable interrupt. 1—Disable interrupt.	R/W	0h
8	Data Recovery 100 Lock Up	0—Enable interrupt. 1—Disable interrupt.	R/W	0h
7	Data Recovery Lock Down	0—Enable interrupt. 1—Disable interrupt.	R/W	0h
6:0	Reserved	Reserved.	RO	0h

MII Registers (continued)

Table 28. Interrupt Status Register (Register 1Eh)

Bit(s)	Name	Description	R/W	Default
15	Reserved	Reserved.	RO	0h
14	Receiver Error Counter Full	1—Receive error counter has rolled over. 0—Receive error counter has not rolled over.	RO, LH	0h
13	Reserved	Reserved.	RO	0h
12	Remote Fault	1—Remote fault observed by PHY. 0—Remote fault not observed by PHY.	RO, LH	0h
11	Autonegotiation Complete	1—Autonegotiation has completed. 0—Autonegotiation has not completed.	RO, LH	0h
10	Link Up	1—Link is up. 0—No change on link status.	RO, LH	0h
9	Link Down	1—Link has gone down. 0—No change on link status.	RO, LH	0h
8	Data Recovery 100 Lock Up	1—Data recovery has locked. 0—Data recovery is not locked.	RO, LH	0h
7	Data Recovery 100 Lock Down	1—Data recovery is not locked. 0—Data recovery has locked.	RO, LH	0h
6:0	Reserved	Reserved.	RO	0h

dc and ac Specifications

Absolute Maximum Ratings

Stresses in excess of the absolute maximum ratings can cause permanent damage to the device. These are absolute stress ratings only. Functional operation of the device is not implied at these or any other conditions in excess of those given in the operational sections of the data sheet. Exposure to absolute maximum ratings for extended periods can adversely affect device reliability.

Table 29. Absolute Maximum Ratings

Parameter	Symbol	Min	Max	Unit
Ambient Operating Temperature	T _A	0	70	°C
Storage Temperature	T _{stg}	-65	150	°C
Maximum Supply Voltage	—	—	3.46	V
Voltage on MII Input Pins with Respect to Ground	—	-0.5	5.25	V
Voltage on Any Other Pin with Respect to Ground	—	-0.5	3.46	V

Table 30. Operating Conditions

Parameter	Symbol	Min	Typ	Max	Unit
Operating Supply Voltage	—	3.135	3.3	3.46	V
Power Dissipation*:					
100 Mbits/s TX	P _d	—	—	140	mA
10 Mbits/s	P _d	—	—	150	mA
Autonegotiating	P _d	—	—	30	mA

* Power dissipations are specified at 3.3 V and 25 °C. This is the power dissipated by the LU3X31T-T64.

dc and ac Specifications (continued)

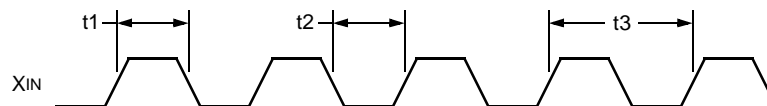
Table 31. dc Characteristics

Parameter	Symbol	Conditions	Min	Max	Unit
Recommended Power Supply	V_{DD}	—	3.0	3.6	V
	V_{SS}	—	0.0	0.0	V
Supply Current 100Base-TX	I_{DD}	$V_{DD} = 3.3\text{ V}, V_{SS} = 0.0\text{ V}$ Full-Duplex Traffic	—	148	mA
Supply Current 10Base-TX	I_{DD}	$V_{DD} = 3.3\text{ V}, V_{SS} = 0.0\text{ V}$ Full-Duplex Traffic	—	156	mA
Supply Current Autonegotiation Mode	I_{DD}	$V_{DD} = 3.3\text{ V}, V_{SS} = 0.0\text{ V}$ No Link	—	70	mA
Supply Current 100Base-FX	I_{DD}	$V_{DD} = 3.3\text{ V}, V_{SS} = 0.0\text{ V}$ Full-Duplex Traffic	—	120	mA
TTL Input High Voltage	V_{IH}	$V_{DD} = 3.3\text{ V}, V_{SS} = 0.0\text{ V}$	2.0	—	V
TTL Input Low Voltage	V_{IL}	$V_{DD} = 3.3\text{ V}, V_{SS} = 0.0\text{ V}$	—	0.8	V
TTL Output High-voltage MII Pins	V_{OH}	$V_{DD} = 3.3\text{ V}, V_{SS} = 0.0\text{ V}$ $I_{OH} = 4\text{ mA}$	2.4	—	V
TTL Output Low-voltage MII Pins	V_{OL}	$V_{DD} = 3.3\text{ V}, V_{SS} = 0.0\text{ V}$ $I_{OH} = 4\text{ mA}$	—	0.4	V
TTL Output High-voltage LED Pins	V_{OH2}	$V_{DD} = 3.3\text{ V}, V_{SS} = 0.0\text{ V}$ $I_{OH} = 10\text{ mA}$	3.0	—	V
TTL Output Low-voltage LED Pins	V_{OL2}	$V_{DD} = 3.3\text{ V}, V_{SS} = 0.0\text{ V}$ $I_{OH} = 10\text{ mA}$	—	0.3	V
PECL Input High Voltage	V_{IHPECL}	—	$V_{DD} - 1.16$	$V_{DD} - 0.88$	V
PECL Input Low Voltage	V_{ILPECL}	—	$V_{DD} - 1.81$	$V_{DD} - 1.47$	V
PECL Output High Voltage	V_{OHPECL}	—	$V_{DD} - 1.02$	—	V
PECL Output Low Voltage	V_{OLPECL}	—	—	$V_{DD} - 1.62$	V
Oscillator Input (25 MHz)	X_{IN}	—	-50	50	ppm
Crystal Freq. Stability (25 MHz)	X_{IN}/X_{OUT}	—	-50	50	ppm
Input Capacitance	MII C_{IN}	—	—	8	pF

Clock Timing

Table 32. System Clock (X_{in})

Symbol	Description	Min	Max	Unit
t_1	Clock High Pulse Width	17	23	ns
t_2	Clock Low Pulse Width	17	23	ns
t_3	Clock Period	39.998	40.002	ns



5-6784(F)

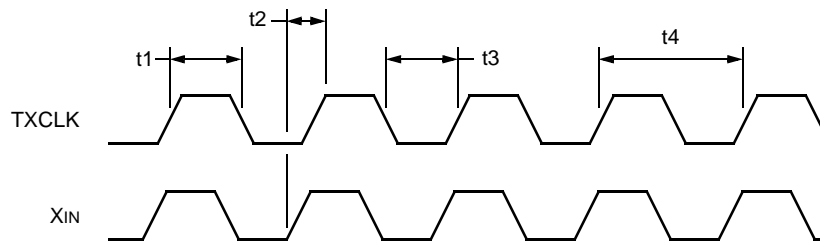
Figure 6. System Timing

Clock Timing (continued)

Table 33. Transmit Clock (Input and Output)

Symbol	Description	Min	Max	Unit
t1	TXCLK High Pulse Width (100 Mbits/s)	14	26	ns
	TXCLK High Pulse Width (10 Mbits/s)	140	260	ns
t2	X _{IN} Rise to TXCLK Rise (100 Mbits/s)	14	—	ns
	X _{IN} Rise to TXCLK Rise (10 Mbits/s)	28	—	ns
t3	TXCLK Low Pulse Width (100 Mbits/s)	14	26	ns
	TXCLK Low Pulse Width (10 Mbits/s)	140	260	ns
t4	TXCLK Period (100 Mbits/s)*	40	40	ns
	TXCLK Period (10 Mbits/s)*	400	400	ns

* Specified at ±100 ppm.



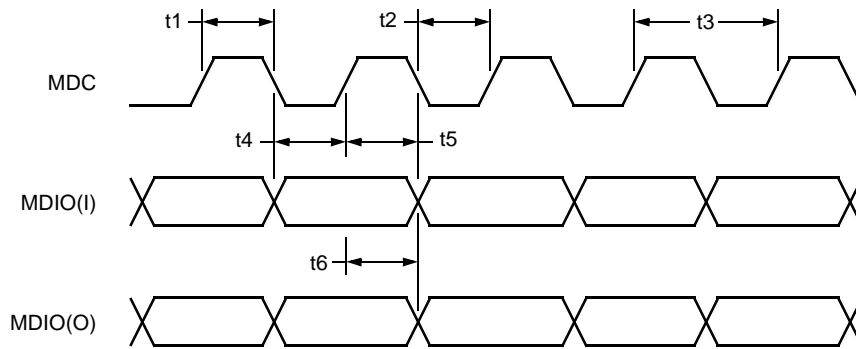
5-6785(F)

Figure 7. Transmit Timing (Input and Output)

Clock Timing (continued)

Table 34. Management Clock

Symbol	Description	Min	Max	Unit
t1	MDC High Pulse Width	200	—	ns
t2	MDC Low Pulse Width	200	—	ns
t3	MDC Period	400	—	ns
t4	MDIO(I) Setup to MDC Rising Edge	10	—	ns
t5	MDIO(O) Hold Time from MDC Rising Edge	10	—	ns
t6	MDIO(O) Valid from MDC Rising Edge	0	300	ns



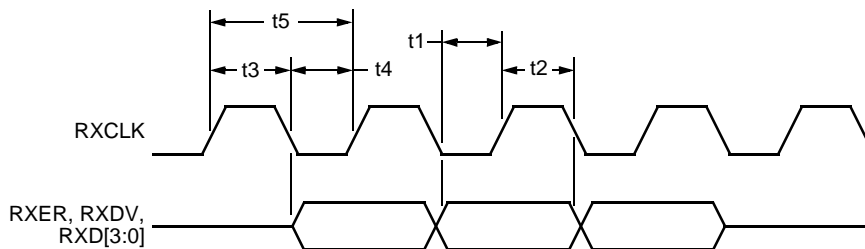
5-6786(F)

Figure 8. Management Timing

Clock Timing (continued)

Table 35. MII Receive Timing

Symbol	Description	Min	Max	Unit
t1	RXER, RXDV, RXD[3:0] Setup to RXCLK Rise	10	—	ns
t2	RXER, RXDV, RXD[3:0] Hold After RXCLK Rise	10	—	ns
t3	RXCLK High Pulse Width (100 Mbits/s)	14	26	ns
	RXCLK High Pulse Width (10 Mbits/s MII)	140	260	ns
	RXCLK High Pulse Width (10 Mbits/s serial)	35	65	ns
t4	RXCLK Low Pulse Width (100 Mbits/s)	14	26	ns
	RXCLK Low Pulse Width (10 Mbits/s MII)	140	260	ns
	RXCLK Low Pulse Width (10 Mbits/s serial)	35	65	ns
t5	RXCLK Period (100 Mbits/s)	40	40	ns
	RXCLK Period (10 Mbits/s MII)	400	400	ns
	RXCLK Period (10 Mbits/s serial)	100	100	ns



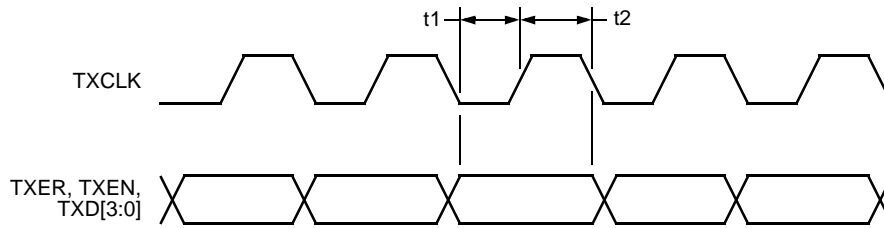
5-6787(F).c

Figure 9. MII Receive Timing

Clock Timing (continued)

Table 36. MII Transmit Timing

Symbol	Description	Min	Max	Unit
t1	TXER, TXEN, TXD[3:0] Setup to TXCLK Rise	10	—	ns
t2	TXER, TXEN, TXD[3:0] Hold After TXCLK Rise	0	25	ns



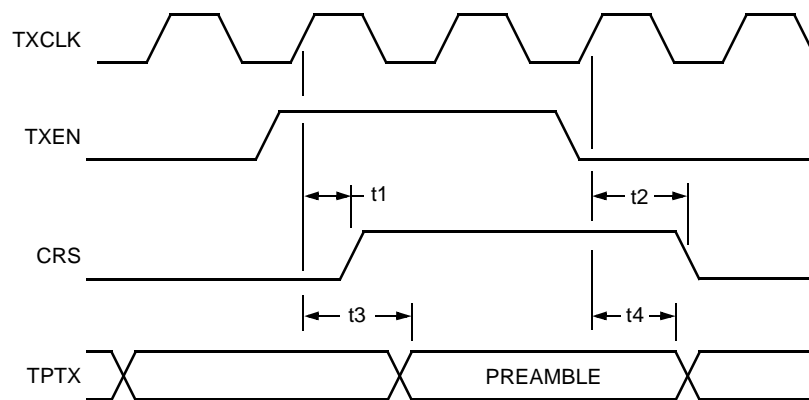
5-6788(F)

Figure 10. MII Transmit Timing

Clock Timing (continued)

Table 37. Transmit Timing

Symbol	Description	Min	Max	Unit
t1	TXEN Sampled to CRS High (100 Mbits/s)	0	4	bits
	TXEN Sampled to CRS High (10 Mbits/s)	—	1.5	bits
t2	TXEN Sampled to CRS Low (100 Mbits/s)	0	16	bits
	TXEN Sampled to CRS Low (10 Mbits/s)	—	16	bits
t3	Transmit Latency (100 Mbits/s)	6	14	bits
	Transmit Latency (10 Mbits/s)	4	—	bits
t4	Sampled TXEN Inactive to End of Frame (100 Mbits/s)	—	17	bits
	Sampled TXEN Inactive to End of Frame (10 Mbits/s)	—	5	bits



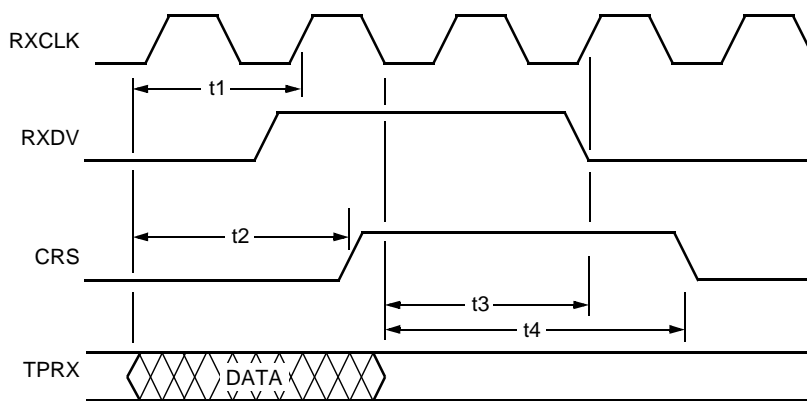
5-6789(F)

Figure 11. Transmit Timing

Clock Timing (continued)

Table 38. Receive Timing

Symbol	Description	Min	Max	Unit
t1	Receive Frame to Sampled Edge of RXDV (100 Mbits/s)	—	15	bits
	Receive Frame to Sampled Edge of RXDV (10 Mbits/s)	—	22	bits
t2	Receive Frame to CRS High (100 Mbits/s)	—	13	bits
	Receive Frame to CRS High (10 Mbits/s)	—	5	bits
t3	End of Receive Frame to Sampled Edge of RXDV (100 Mbits/s)	—	12	bits
	End Receive Frame to Sampled Edge of RXDV (10 Mbits/s)	—	4	bits
t4	End of Receive Frame to CRS Low (100 Mbits/s)	13	24	bits
	End of Receive Frame to CRS Low (10 Mbits/s)	—	4.5	bits



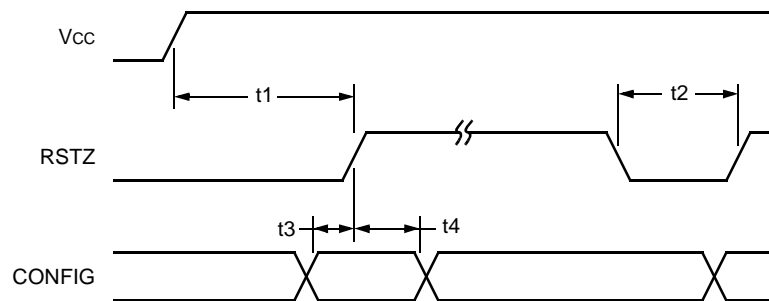
5-6790(F)

Figure 12. Receive Timing

Clock Timing (continued)

Table 39. Reset and Configuration Timing

Symbol	Description	Min	Max	Unit
t1	Power On to Reset High	1.0	—	ms
t2	Reset Pulse Width	1.0	—	ms
t3	Configuration Pin Setup	1.0	—	ms
t4	Configuration Pin Hold	1.0	—	ms



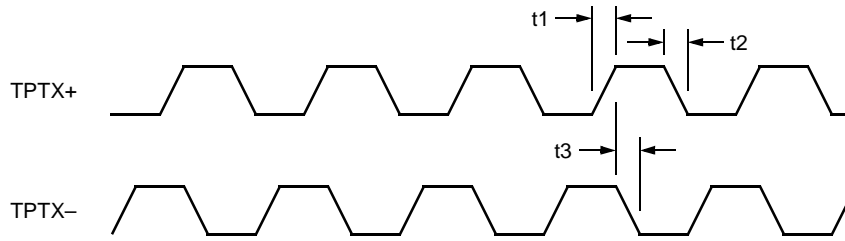
5-6791(F)

Figure 13. Reset and Configuration Timing

Clock Timing (continued)

Table 40. PMD Characteristics

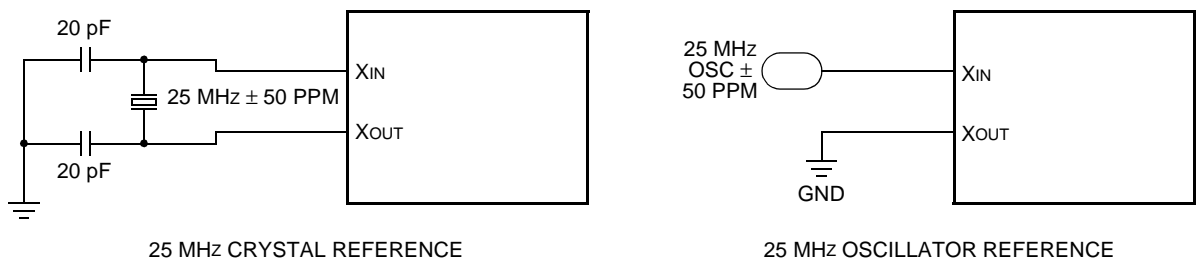
Symbol	Description	Min	Max	Unit
t1	TPTX+/TPTX- Rise Time	3.0	5.0	ns
t2	TPTX+/TPTX- Fall Time	3.0	5.0	ns
t3	TP Skew	0	500	ps



5-6792(F).a

Figure 14. PMD Timing

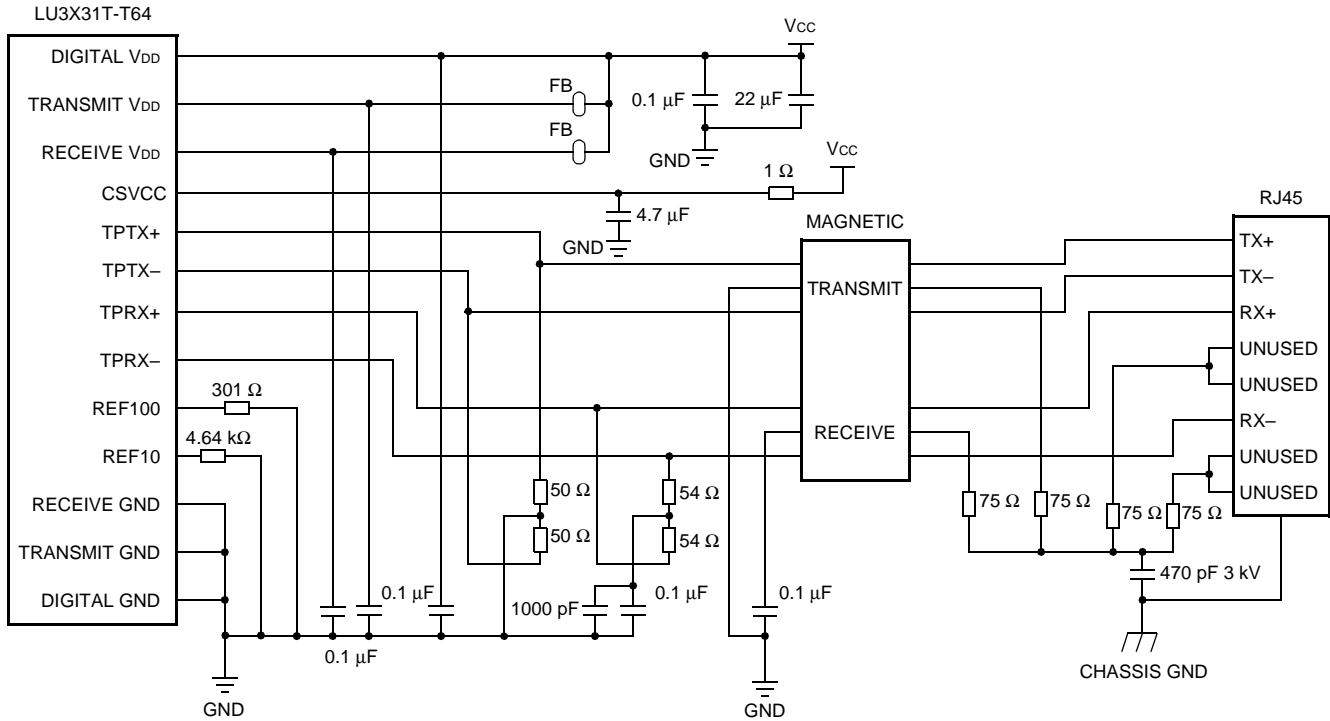
Clock Timing (continued)



5-6793(F).Cr.1

Figure 15. Connection Diagrams (Frequency References)

Clock Timing (continued)



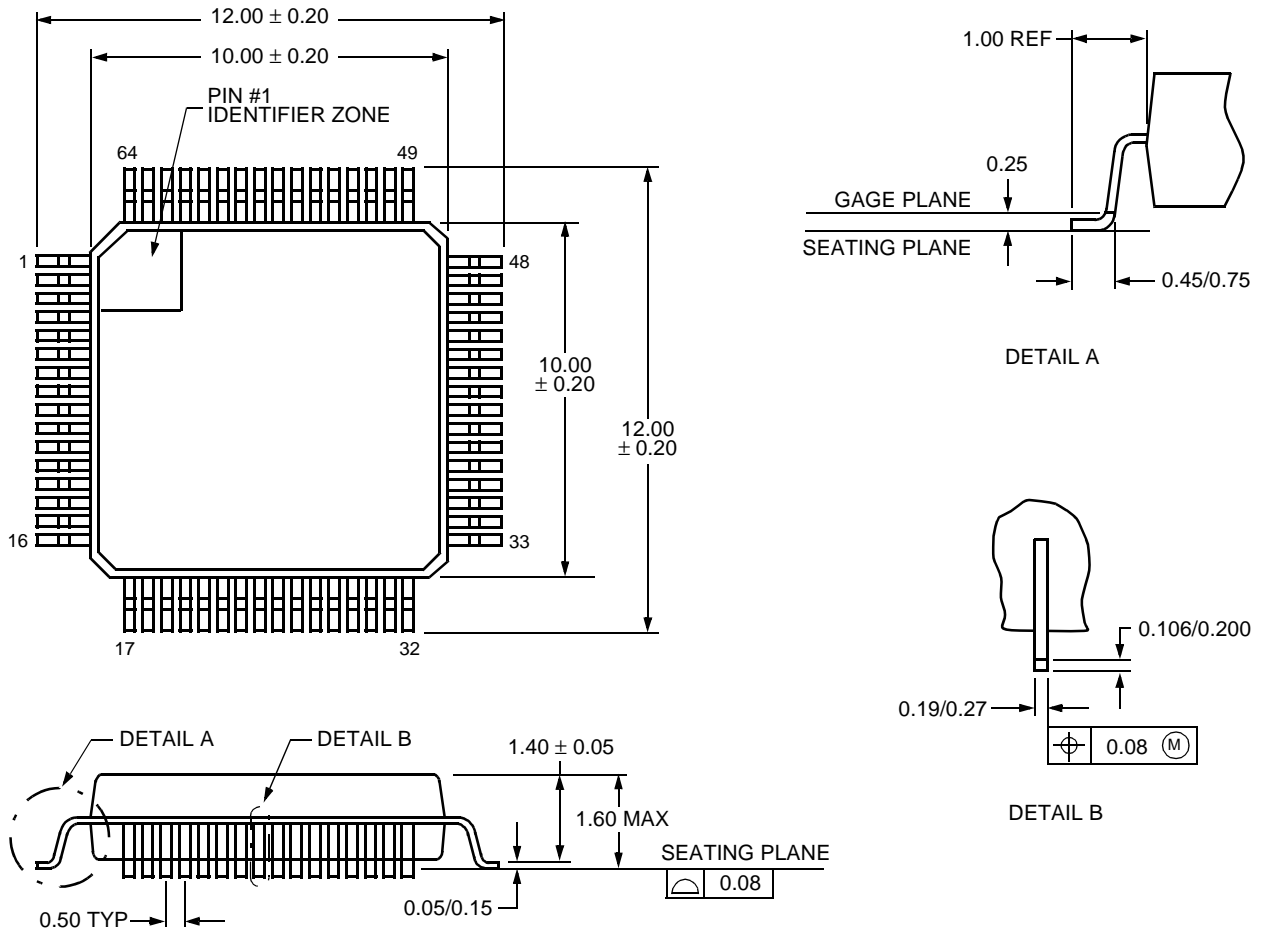
5-6794(F).c

Figure 16. Connection Diagrams (10/100BTX Operation)

Outline Diagram

64-Pin TQFP

Dimensions are in millimeters.



5-7101(F)

Ordering Information

Device Code	Package	Temperature	Comcode
LU3X31T-T64	64-Pin TQFP	0 °C to 70 °C	108497249

For additional information, contact your Microelectronics Group Account Manager or the following:

INTERNET: <http://www.lucent.com/micro>

E-MAIL: docmaster@micro.lucent.com

N. AMERICA: Microelectronics Group, Lucent Technologies Inc., 555 Union Boulevard, Room 30L-15P-BA, Allentown, PA 18109-3286
1-800-372-2447, FAX 610-712-4106 (In CANADA: **1-800-553-2448**, FAX 610-712-4106)

ASIA PACIFIC: Microelectronics Group, Lucent Technologies Singapore Pte. Ltd., 77 Science Park Drive, #03-18 Cintech III, Singapore 118256
Tel. (65) 778 8833, FAX (65) 777 7495

CHINA: Microelectronics Group, Lucent Technologies (China) Co., Ltd., A-F2, 23/F, Zao Fong Universe Building, 1800 Zhong Shan Xi Road, Shanghai 200233 P. R. China **Tel. (86) 21 6440 0468, ext. 325**, FAX (86) 21 6440 0652

JAPAN: Microelectronics Group, Lucent Technologies Japan Ltd., 7-18, Higashi-Gotanda 2-chome, Shinagawa-ku, Tokyo 141, Japan
Tel. (81) 3 5421 1600, FAX (81) 3 5421 1700

EUROPE: Data Requests: MICROELECTRONICS GROUP DATALINE: **Tel. (44) 7000 582 368**, FAX (44) 1189 328 148

Technical Inquiries: GERMANY: **(49) 89 95086 0** (Munich), UNITED KINGDOM: **(44) 1344 865 900** (Ascot),
FRANCE: **(33) 1 40 83 68 00** (Paris), SWEDEN: **(46) 8 594 607 00** (Stockholm), FINLAND: **(358) 9 4354 2800** (Helsinki),
ITALY: **(39) 02 6608131** (Milan), SPAIN: **(34) 1 807 1441** (Madrid)

Lucent Technologies Inc. reserves the right to make changes to the product(s) or information contained herein without notice. No liability is assumed as a result of their use or application. No rights under any patent accompany the sale of any such product(s) or information.

