

Description

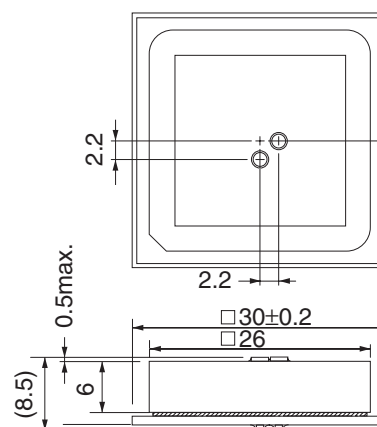
The TOKO ASWR03 is a wide-directivity, right-hand circularly polarized dielectric antenna unit specifically designed for 2.450 GHz applications including IEEE 802.11b/g wireless networking. The ASWR03 antenna unit consists of a dielectric antenna element mounted with adhesive tape to a printed circuit board.



Features

- Miniature footprint: 30mm x 30mm
- Low profile: 8.5mm max.
- Center Frequency: 2450 MHz
- Bandwidth: ± 50 MHz
- Peak Gain (at center axis): 2.14 dBi (typ.)
- SWR: 2.0 max.
- Impedance: 50Ω
- Operating temperature: -20°C to $+85^{\circ}\text{C}$
- Storage temperature: -30°C to $+90^{\circ}\text{C}$

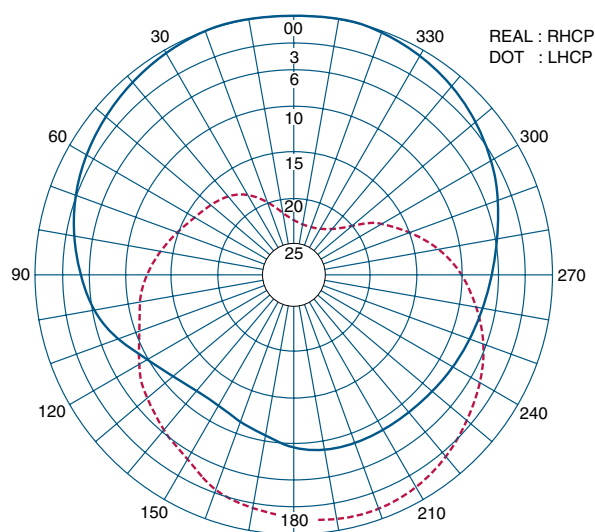
Dimensions



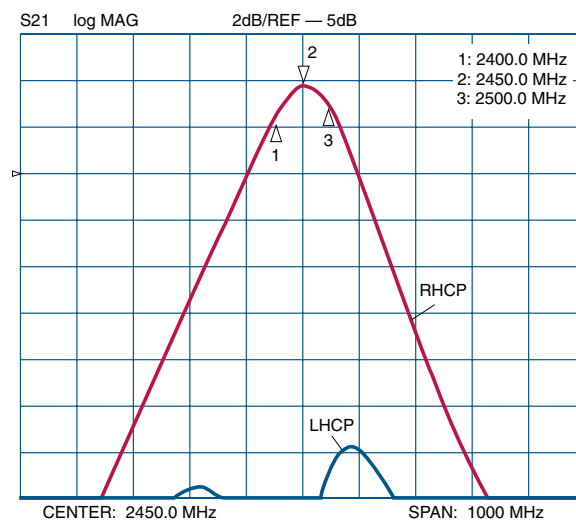
Unit: mm

Typical Characteristics

Directivity Plot

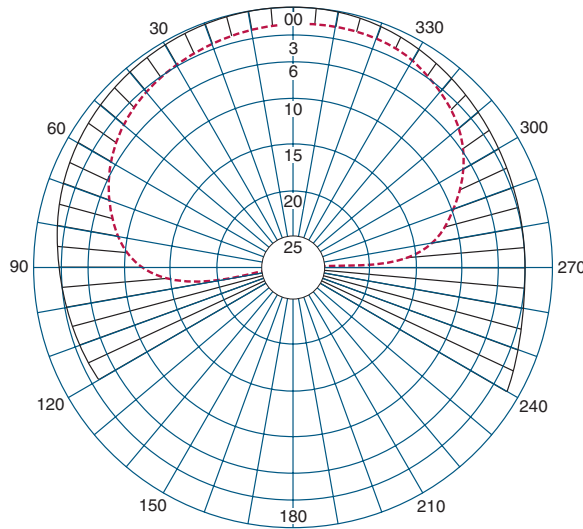


Receiving Signal Response Over Frequency

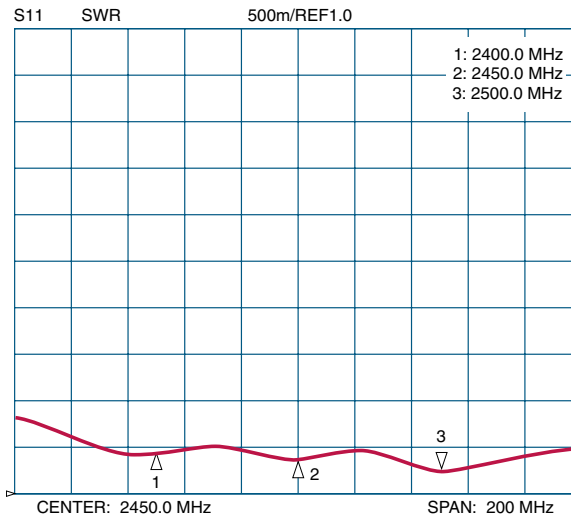


Typical Characteristics

Axial Ratio vs. Elevation Angle



Receiving Signal Response Over Frequency



The information furnished by TOKO, Inc. is believed to be accurate and reliable. However, TOKO reserves the right to make changes or improvements in the design, specification or manufacture of its products without further notice. TOKO does not assume any liability arising from the application or use of any product or circuit described herein, nor for any infringements of patents or other rights of third parties which may result from the use of its products. No license is granted by implication or otherwise under any patent or patent rights of TOKO, Inc.