

PLEASE CHECK WWW.MOLEX.COM FOR LATEST PART INFORMATION

Part Number: [5031543090](#)
Status: **Active**
Description: 1.50mm (.059") Pitch CLIK-Mate™ Wire-to-Board PCB Receptacle, Dual Row, Vertical, 30 Circuits

Documents:

[Drawing \(PDF\)](#) [RoHS Certificate of Compliance \(PDF\)](#)
[Product Specification PS-503154-001 \(PDF\)](#)

General

Product Family	PCB Receptacles
Series	503154
Application	Wire-to-Board
Product Name	CLIK-Mate™

Physical

Circuits (Loaded)	30
Color - Resin	Beige
Durability (mating cycles max)	30
Glow-Wire Compliant	No
Keying to Mating Part	Yes
Lock to Mating Part	Yes
Mated Height (in)	0.441 In
Mated Height (mm)	11.20 mm
Material - Metal	Copper Alloy
Material - Plating Mating	Tin
Material - Plating Termination	Tin
Number of Rows	2
Orientation	Vertical
PCB Locator	No
PCB Retention	Yes
Packaging Type	Embossed Tape on Reel
Pitch - Mating Interface (in)	0.059 In
Pitch - Mating Interface (mm)	1.50 mm
Polarized to Mating Part	Yes
Polarized to PCB	Yes
Stackable	No
Temperature Range - Operating	-25°C to +85°C
Termination Interface: Style	Surface Mount

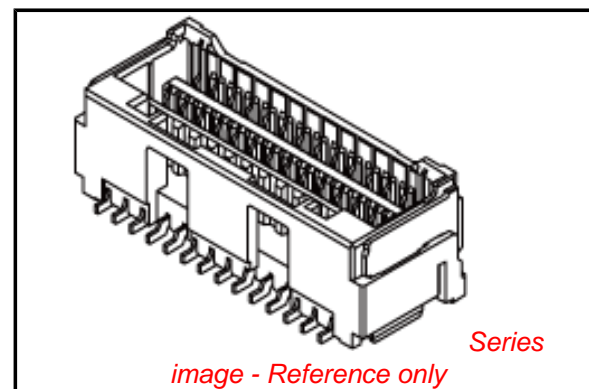
Electrical

Current - Maximum per Contact	2A
Voltage - Maximum	100V

Material Info

Reference - Drawing Numbers

Application Specification	AS-503149-001
Packaging Specification	SPK-503154-001
Product Specification	PS-503154-001, RPS-503154-002, RPS-503154-004, RPS-503154-005
Sales Drawing	SD-503154-001, SD-503154-002



EU RoHS

**ELV and RoHS
Compliant**
**REACH SVHC
Not Reviewed**
**Halogen-Free
Status
Not Reviewed**

China RoHS



**Need more information on product
environmental compliance?**

Email productcompliance@molex.com
 For a multiple part number RoHS Certificate of Compliance, [click here](#)

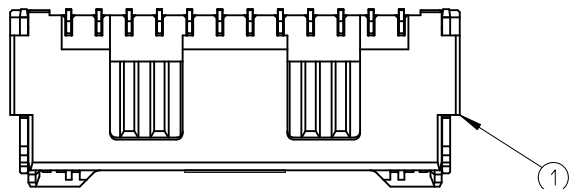
Please visit the [Contact Us](#) section for any non-product compliance questions.

Search Parts in this Series

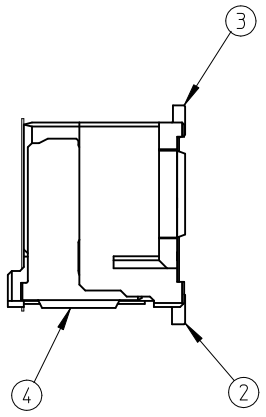
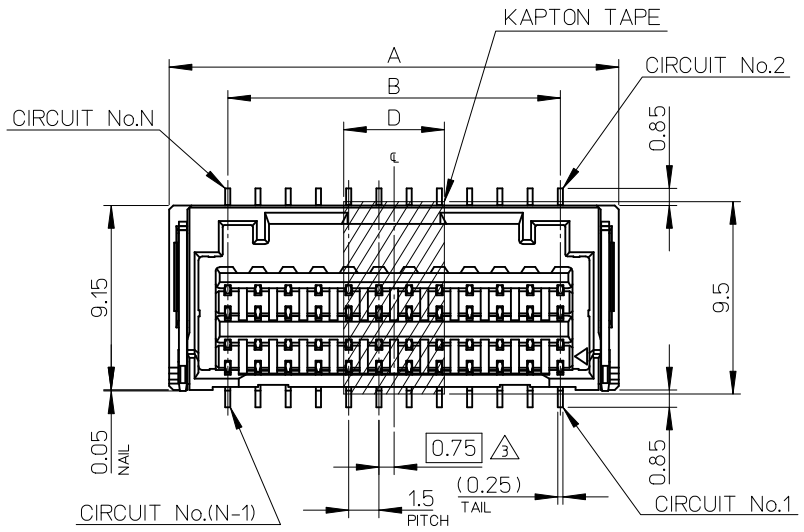
503154Series

Mates With

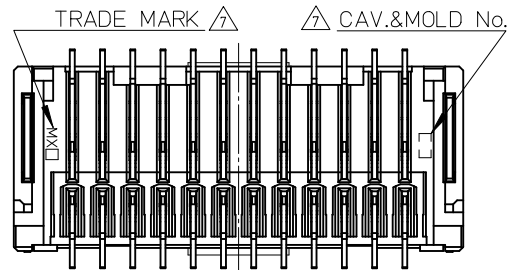
503149 Crimp Housing . 502579 Crimp Terminal



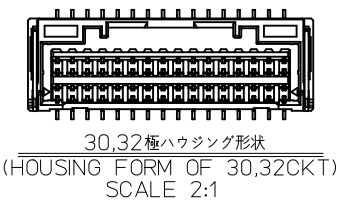
8,10極ハウジング形状
(HOUSING FORM OF 8,10CKT)
SCALE 2:1



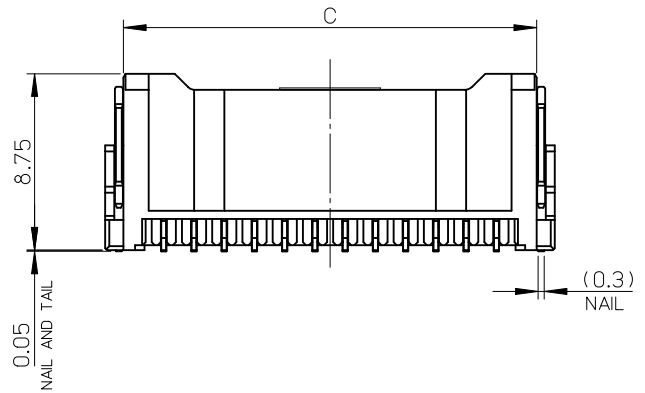
No.	PART	MATERIAL
①	HOUSING	耐熱性樹脂 UL94V-0 HEATPROOF RESIN UL94V-0
②	TERMINAL A	銅合金 COPPER ALLOY 錫メッキ: 1.0 micro-meter MIN. TIN
③	TERMINAL B	ニッケルメッキ(下地): 1.0 micro-meter MIN. NICKEL (UNDER PLATING)
④	NAIL	銅合金 COPPER ALLOY 錫メッキ: 1.0 micro-meter MIN. TIN ニッケルメッキ(下地): 1.0 micro-meter MIN. NICKEL (UNDER PLATING)



503154 - 329*	5	26.5	22.5	28.3	32	
503154 - 309*	5	25.0	21.0	26.8	30	
503154 - 289*	4	23.5	19.5	25.3	28	
503154 - 249*	4	20.5	16.5	22.3	24	
503154 - 229*	4	19.0	15.0	20.8	22	
503154 - 209*	4	17.5	13.5	19.3	20	
503154 - 169*	4	14.5	10.5	16.3	16	
503154 - 129*	3	11.5	7.5	13.3	12	
503154 - 109*	3	10	6.0	11.8	10	
503154 - 089*	3	8.5	4.5	10.3	8	
EMBOSSED TAPE PACKAGE		D	C	B	A	CIRCUIT
オーダー番号 ORDER No.						



30,32極ハウジング形状
(HOUSING FORM OF 30,32CKT)
SCALE 2:1



REVISED EC NO: J2010-2056 DRWN: YG010 2010/02/04 CHKD: KASAKAWA 2010/04/16 APPR: NUKITA 2010/04/17	GENERAL TOLERANCES (UNLESS SPECIFIED)		DIMENSION STYLE MM ONLY		SCALE 4:1		DESIGN UNITS METRIC		THIRD ANGLE PROJECTION	
	10 UNDER	±0.2	DRAWN BY T. HANYU		DATE 2007/11/27		TITLE 1.5 W/B CONN. DUAL ST REC. ASSY		SHEET NO. 1 OF 3	
	10 OVER 30 UNDER	±0.25	CHECKED BY K. ASAKAWA		DATE 2007/11/27					
	30 OVER	±0.3	APPROVED BY Y.O. ITO		DATE 2007/11/27		MOLEX INCORPORATED		DOCUMENT NO. SD-503154-001	
ANGULAR ±1 ° DRAFT WHERE APPLICABLE MUST REMAIN WITHIN DIMENSIONS		MATERIAL NO. SEE CHART		SIZE A3		THIS DRAWING CONTAINS INFORMATION THAT IS PROPRIETARY TO MOLEX INCORPORATED AND SHOULD NOT BE USED WITHOUT WRITTEN PERMISSION				

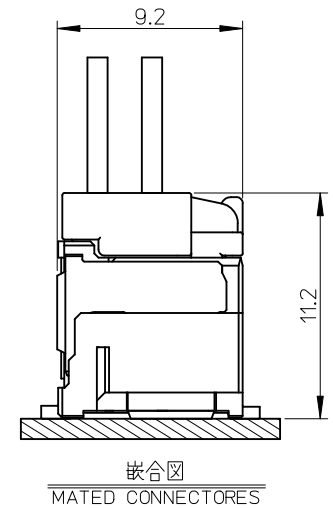
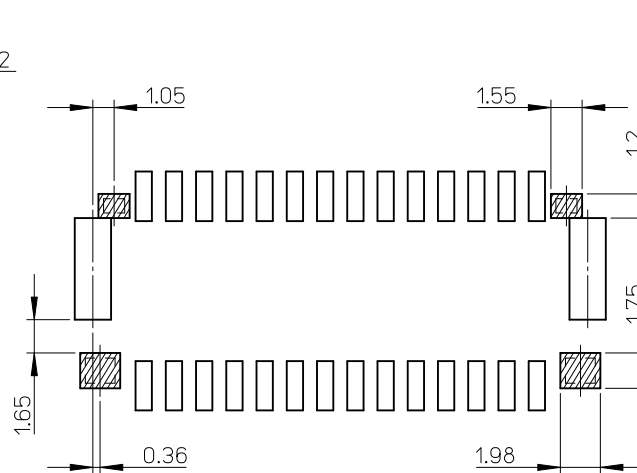
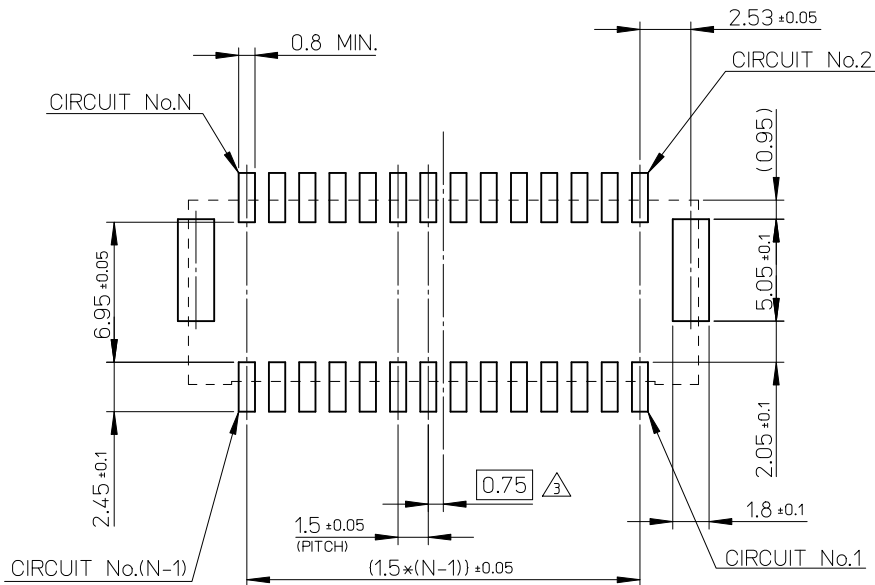
NOTES

1. 嵌合相手: 503149-****
MATE WITH: 503149-****
2. 端子テール部及びネイルの平坦度: 0.1mm MAX.
TAIL AND NAIL COPLANARITY TO BE 0.1 MAX.
3. (極数/2) = 偶数に適用
APPLY FOR (CIRCUIT SIZE/2) = EVEN
4. 端子テール部及びネイルに錫メッキを使用している為、
外観に摺動痕が付く場合があります。
5. 製品番号
MATERIAL No.

503154 - **9**
 極数 色
 CIRCUIT SIZE COLOR

COLOR	黒 BLACK	赤 RED	青 BLUE	緑 GREEN	ベージュ BEIGE (NATURAL)
COLOR No.	1	2	4	6	0

6. 本製品のプラスチック部に黒点・白点等が確認される場合や
色合いが異なる場合がありますが、製品性能に影響はありません。
THERE IS NO INFLUENCE IN THE PRODUCT PERFORMANCE THOUGH THE BLACK AND WHITE SPOT ETC.
MIGHT BE CONFIRMED TO THE PLASTIC PART OF THIS PRODUCT AND THE SHADE MIGHT BE DIFFERENT.
7. △ トレードマーク: MXプラス1文字の製造工場を示すアルファベットにて表示
但し"J"はJAPANを示す。(例 MXJ)
キャビティ番号: 1桁から2桁の数字にて表示
金型番号: アルファベット1文字にて表示
FORMED BY MX AND 1 MORE LETTER OF ALPHABET WHICH MEAN THE MANUFACTORY.
BUT "J" MEANS JAPAN. (TO TRADE MARK) (e.g. MXJ)
AND BY 1-2 DIGIT NUMBER (TO CAVITY No.)
AND BY 1 LETTER OF ALPHABET (TO MOLD No.)
コネクタ下にパターン及びスルーホールを設置する場合、基板面からのパターン盛り上がりは、0.1mm MAX.とする事。
但し、図示したパターン禁止エリアは除く。
THE UPSURGE ON THE P.C.B. BOARD SIDE TO BE 0.1mm MAX.
WHEN SET UP A PATTERN AND A THROUGH HALL UNDER THE CONNECTOR.
8. △
9. ELV及びRoHS適合品
ELV AND RoHS COMPLIANT
10. △ オーダー番号及びコネクタシリーズ番号
ORDER No. AND CONNECTOR SERIES No.



△ パターン禁止エリア (参考)
PATTERN PROHIBITION AREA (REF.)

パターンレイアウト (参考)
PATTERN LAYOUT (REF.)

REVISED EC NO: J2010-2056 DRWN: YG010 CHKD: KASAKAWA APPR: NUKITA	DESCRIPTION 2010/02/04 2010/04/16 2010/04/17	GENERAL TOLERANCES (UNLESS SPECIFIED)		DIMENSION STYLE MM ONLY	SCALE 4:1	DESIGN UNITS METRIC	THIRD ANGLE PROJECTION	
		10 UNDER	±0.2	DRAWN BY T. HANYU	DATE 2007/11/27	TITLE 1.5 W/B CONN. DUAL ST REC. ASSY		
		10 OVER 30 UNDER	±0.25	CHECKED BY K. ASAKAWA	DATE 2007/11/27	MOLEX INCORPORATED		
		30 OVER	±0.3	APPROVED BY Y.O. ITO	DATE 2007/11/27	MATERIAL NO. SEE CHART	DOCUMENT NO. SD-503154-001	SHEET NO. 2 OF 3
ANGULAR ±1 ° DRAFT WHERE APPLICABLE MUST REMAIN WITHIN DIMENSIONS		THIS DRAWING CONTAINS INFORMATION THAT IS PROPRIETARY TO MOLEX INCORPORATED AND SHOULD NOT BE USED WITHOUT WRITTEN PERMISSION						

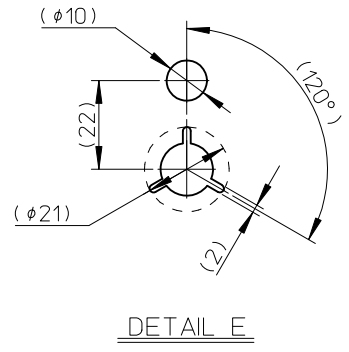
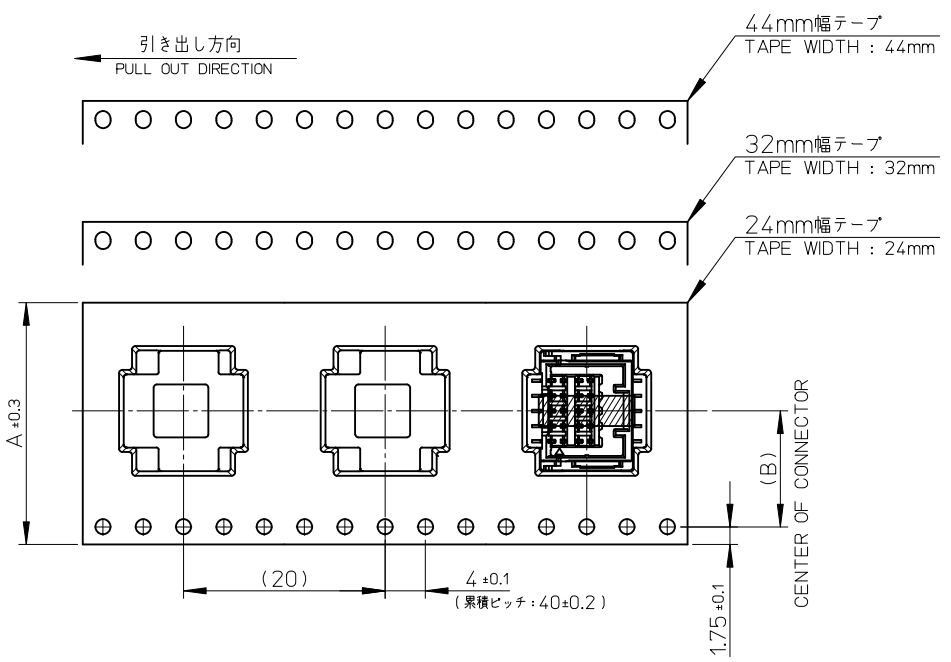
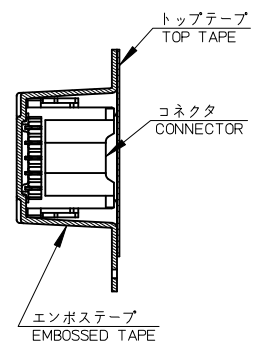
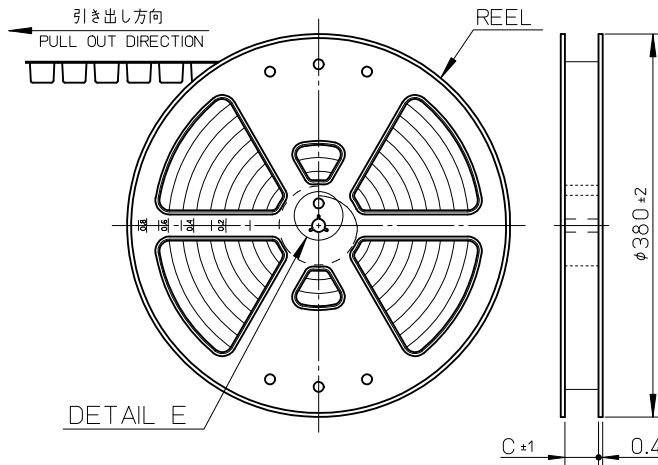
△ ORDER No. AND CONNECTOR SERIES No.

HOUSING COLOR : BEIGE (NATURAL)			HOUSING COLOR : BLACK			HOUSING COLOR : RED		
32	503154 - 3290	503154 - **90	503154 - 3291	503154 - **91	503154 - 3292	503154 - **92		
30	503154 - 3090		503154 - 3091		503154 - 3092			
28	503154 - 2890		503154 - 2891		503154 - 2892			
24	503154 - 2490		503154 - 2491		503154 - 2492			
22	503154 - 2290		503154 - 2291		503154 - 2292			
20	503154 - 2090		503154 - 2091		503154 - 2092			
16	503154 - 1690		503154 - 1691		503154 - 1692			
12	503154 - 1290		503154 - 1291		503154 - 1292			
10	503154 - 1090		503154 - 1091		503154 - 1092			
8	503154 - 0890		503154 - 0891		503154 - 0892			
CIRCUIT	EMBOSSSED TAPE PACKAGE オーダー番号 ORDER No.	CONNECTOR SERIES No. コネクタシリーズ番号	EMBOSSSED TAPE PACKAGE オーダー番号 ORDER No.	CONNECTOR SERIES No. コネクタシリーズ番号	EMBOSSSED TAPE PACKAGE オーダー番号 ORDER No.	CONNECTOR SERIES No. コネクタシリーズ番号		

HOUSING COLOR : BLUE			HOUSING COLOR : GREEN		
32	503154 - 3294	503154 - **94	503154 - 3296	503154 - **96	
30	503154 - 3094		503154 - 3096		
28	503154 - 2894		503154 - 2896		
24	503154 - 2494		503154 - 2496		
22	503154 - 2294		503154 - 2296		
20	503154 - 2094		503154 - 2096		
16	503154 - 1694		503154 - 1696		
12	503154 - 1294		503154 - 1296		
10	503154 - 1094		503154 - 1096		
8	503154 - 0894		503154 - 0896		
CIRCUIT	EMBOSSSED TAPE PACKAGE オーダー番号 ORDER No.	CONNECTOR SERIES No. コネクタシリーズ番号	EMBOSSSED TAPE PACKAGE オーダー番号 ORDER No.	CONNECTOR SERIES No. コネクタシリーズ番号	

REVISED EC NO: J2010-2056 DRWN: YGOTO 2010/02/04 CHKD: KASAKAWA 2010/04/16 APPR: NUKITA 2010/04/17	GENERAL TOLERANCES (UNLESS SPECIFIED)		DIMENSION STYLE MM ONLY		SCALE 4:1	DESIGN UNITS METRIC	THIRD ANGLE PROJECTION
	10 UNDER	±0.2	DRAWN BY T. HANYU	DATE 2007/11/27	TITLE 1.5 W/B CONN. DUAL ST REC. ASSY		
	10 OVER 30 UNDER	±0.25	CHECKED BY K. ASAKAWA	DATE 2007/11/27	MOLEX INCORPORATED		
	30 OVER	±0.3	APPROVED BY YU. ITO	DATE 2007/11/27	MATERIAL NO. SEE CHART	DOCUMENT NO. SD-503154-001	SHEET NO. 3 OF 3
	ANGULAR ±1 ° DRAFT WHERE APPLICABLE MUST REMAIN WITHIN DIMENSIONS		THIS DRAWING CONTAINS INFORMATION THAT IS PROPRIETARY TO MOLEX INCORPORATED AND SHOULD NOT BE USED WITHOUT WRITTEN PERMISSION				

10 9 8 7 6 5 4 3 2 1



45.5	20.2	44	503154-329*	32
45.5	20.2	44	503154-309*	30
45.5	20.2	44	503154-289*	28
45.5	20.2	44	503154-249*	24
45.5	20.2	44	503154-229*	22
45.5	20.2	44	503154-209*	20
33.5	14.2	32	503154-169*	16
33.5	14.2	32	503154-129*	12
25.5	11.5	24	503154-109*	10
25.5	11.5	24	503154-089*	8
C	B	エンボステープ幅 A WIDTH OF TAPE	△ 製品番号 MATERIAL No.	CIRCUIT No.

REVISED EC NO: J2010-2056 DRWN: YG010 CHKD: KASAKAWA APPR: NUKITA 2010/02/04 2010/04/16 2010/04/17	GENERAL TOLERANCES (UNLESS SPECIFIED)		DIMENSION STYLE MM ONLY		SCALE 2:1	DESIGN UNITS METRIC	THIRD ANGLE PROJECTION
	10 UNDER	± 0.2	DRAWN BY T. HANYU	DATE 2007/11/27	TITLE EMBOSSSED TAPE PACKAGE FOR 503154-****		
	10 OVER 30 UNDER	± 0.25	CHECKED BY K. ASAKAWA	DATE 2007/11/27	MATERIAL NO. SEE CHART		
	30 OVER	± 0.3	APPROVED BY Y. ITO	DATE 2007/11/27	DOCUMENT NO. SD-503154-002		
	ANGULAR $\pm 1^\circ$	DRAFT WHERE APPLICABLE MUST REMAIN WITHIN DIMENSIONS		SIZE A3	THIS DRAWING CONTAINS INFORMATION THAT IS PROPRIETARY TO MOLEX INCORPORATED AND SHOULD NOT BE USED WITHOUT WRITTEN PERMISSION		
							SHEET NO. 1 OF 2

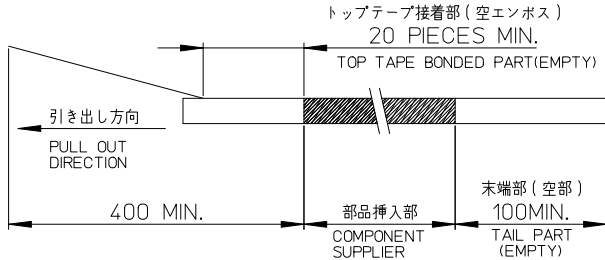
NOTE

- 1. 梱包数量 : 450個/リール
NUMBER OF CONNECTORS : 450 PIECES/REEL
- 2. リードテープ長さ
LEAD TAPE LENGTH

- 4. 製品詳細寸法については、SD-503154-001を参照して下さい。
PLEASE REFER TO SD-503154-001 FOR THE DETAILED DIMENSION OF THE CONNECTOR.

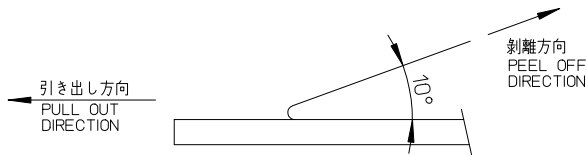
△ MATERIAL No. AND CONNECTOR SERIES No.

COLOR	MATERIAL No.				
	黒 BLACK	赤 RED	青 BLUE	緑 GREEN	ベージュ BEIGE (NATURAL)
CIRCUIT No.32	503154-3291	503154-3292	503154-3294	503154-3296	503154-3290
CIRCUIT No.30	↑ 3091	↑ 3092	↑ 3094	↑ 3096	↑ 3090
CIRCUIT No.28	2891	2892	2894	2896	2890
CIRCUIT No.24	2491	2492	2494	2496	2490
CIRCUIT No.22	2291	2292	2294	2296	2290
CIRCUIT No.20	2091	2092	2094	2096	2090
CIRCUIT No.16	1691	1692	1694	1696	1690
CIRCUIT No.12	1291	1292	1294	1296	1290
CIRCUIT No.10	↓ 1091	↓ 1092	↓ 1094	↓ 1096	↓ 1090
CIRCUIT No.8	503154-0891	503154-0892	503154-0894	503154-0896	503154-0890
CONNECTOR SERIES No.	503154- **91	503154- **92	503154- **94	503154- **96	503154- **90



- 3. トップテープの剥離強度 : 0.1~0.3 N (10.2~132.5gf)
剥離方向は下記参照。
PEELING OFF FORCE OF TOP TAPE
PEELING DIRECTION AS SHOWN IN FOLLOWING FIGURE.

尚、本規格は出荷時に適用。(但し、輸送時に剥離が発生しない事)
THIS REQUIREMENT SHOULD BE APPLIED AT SHIPMENT.
PEEL OFF SHOLD NOT BE ALLOWED,DURING TRANSPORTION.



- 6. 材料
MATERIAL
キャリアテープ : ポリスチレン
CARRIER TAPE : POLYSTYRENE
トップテープ : ポリエステル、ポリエチレン、ポリエチレンテレフタレート
TOP TAPE : POLYESTER,POLYETHLENE,POLYETHYLENE TEREPHTHALATE
リール : ポリスチレン (リサイクル材含む)
REEL : POLYSTYRENE (RECYCLE MATERIAL CONTAINED)
- 7. ELV及びRoHS適合品
ELV AND RoHS COMPLIANT

REVISED EC NO: J2010-2056 DRWN: YGOTO CHKD: KASAKAWA APPR: NUKITA REV D	GENERAL TOLERANCES (UNLESS SPECIFIED)		DIMENSION STYLE MM ONLY		SCALE 2:1	DESIGN UNITS METRIC	THIRD ANGLE PROJECTION
	10 UNDER	±0.2	DRAWN BY T. HANYU	DATE 2007/11/27	TITLE EMBOSSSED TAPE PACKAGE FOR 503154-****		
	10 OVER 30 UNDER	±0.25	CHECKED BY K. ASAKAWA	DATE 2007/11/27	MOLEX INCORPORATED		
	30 OVER	±0.3	APPROVED BY Y.O. ITO	DATE 2007/11/27	MATERIAL NO. SD-503154-002	DOCUMENT NO.	SHEET NO. 2 OF 2
	ANGULAR ±1 °	DRAFT WHERE APPLICABLE MUST REMAIN WITHIN DIMENSIONS		SIZE A3	THIS DRAWING CONTAINS INFORMATION THAT IS PROPRIETARY TO MOLEX INCORPORATED AND SHOULD NOT BE USED WITHOUT WRITTEN PERMISSION		