

**PLEASE CHECK WWW.MOLEX.COM FOR LATEST PART INFORMATION**

**Part Number:** [0190440187](#)  
**Status:** **Active**  
**Description:** Krimptite™ Ring Tongue Terminal for 14-16 Heavy Duty AWG Wire

**Documents:**

[Drawing \(PDF\)](#) [RoHS Certificate of Compliance \(PDF\)](#)

**Agency Certification**

CSA LR18689  
 UL E32244

**General**

Product Family Ring and Spade Terminals  
 Series [19044](#)  
 Comments Heavy Duty  
 Crimp Quality Equipment Yes  
 Mil-Spec N/A  
 Product Name Krimptite™  
 Type Ring

**Physical**

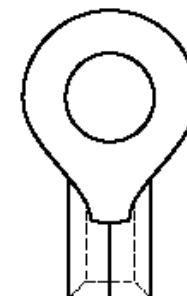
Barrel Type Closed  
 Insulation None  
 Material - Plating Mating Tin  
 Packaging Type Adhesive Tape on Reel  
 Plating min: Mating (µin) 100  
 Plating min: Mating (µm) 2.5  
 Plating min: Termination (µin) 100  
 Plating min: Termination (µm) 2.5  
 Stud Size 5/16" (M8)  
 Termination Interface: Style Crimp or Compression  
 Wire Size AWG 14, 16  
 Wire Size mm² 1.30 - 2.00

**Material Info**

Old Part Number B-140-56HDT

**Reference - Drawing Numbers**

Sales Drawing SD-19044-008



*Series  
image - Reference only*

**EU RoHS**

**ELV and RoHS  
Compliant**  
**REACH SVHC**  
 Not Reviewed  
**Halogen-Free  
Status**  
**Not Reviewed**

**China RoHS**



**Need more information on product  
environmental compliance?**

Email [productcompliance@molex.com](mailto:productcompliance@molex.com)  
 For a multiple part number RoHS Certificate of  
 Compliance, [click here](#)

Please visit the [Contact Us](#) section for any  
 non-product compliance questions.

**Search Parts in this Series**

[19044Series](#)

**Application Tooling | [FAQ](#)**

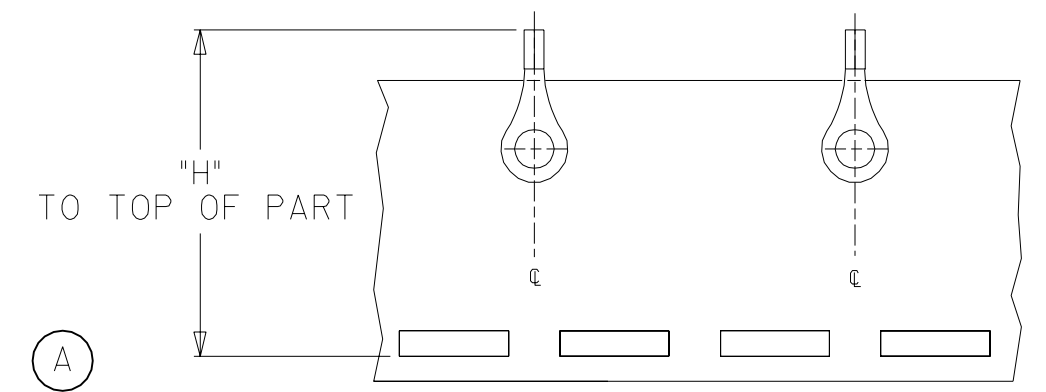
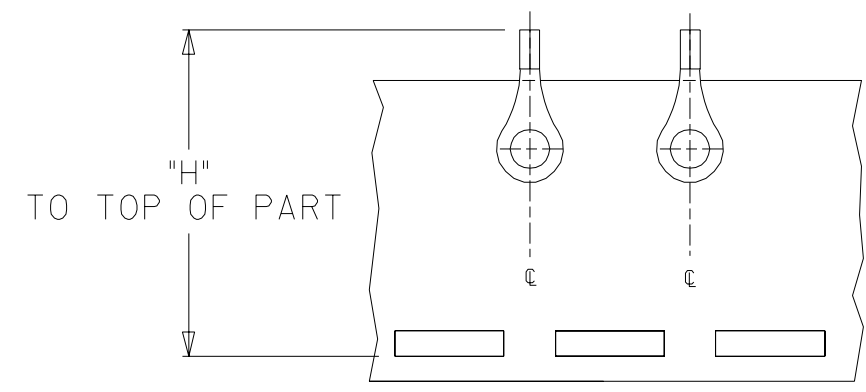
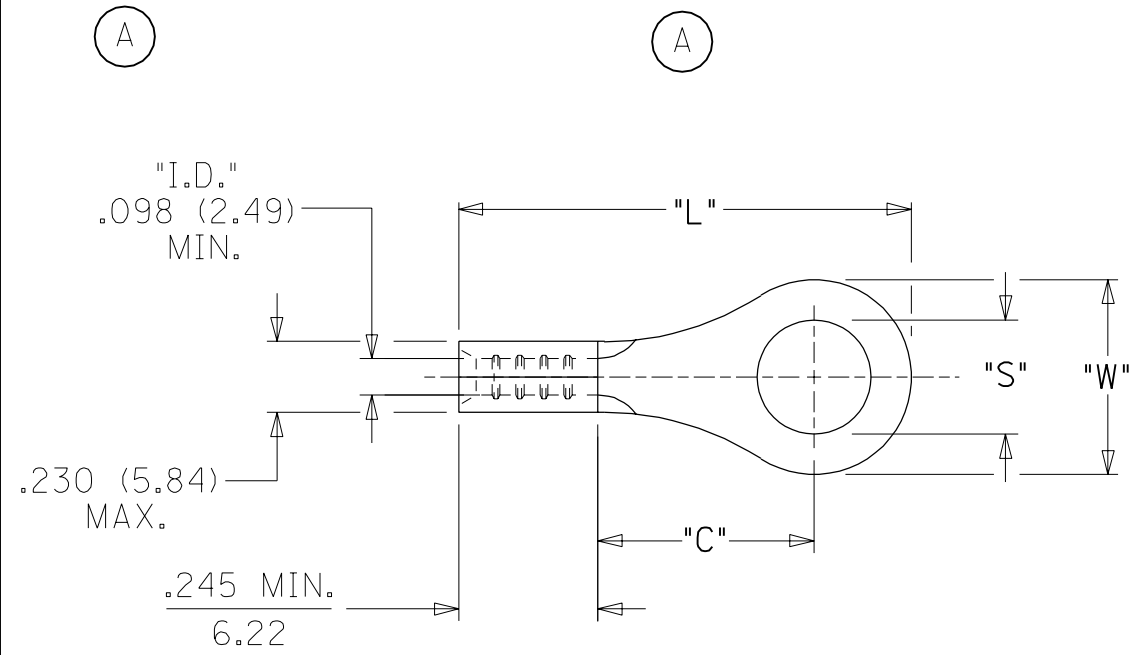
*Tooling specifications and manuals are  
 found by selecting the products below.  
 Crimp Height Specifications are then  
 contained in the Application Tooling  
 Specification document.*

**Global**

Description	Product #
ATP Perishable Tool Kit, Used in ATP Presses that Process Product on Tape	<a href="#">0190270088</a>
ATP Perishable Tool Kit Used in ATP Presses that Process Product on Tape	<a href="#">0190270300</a>
Mini-Mac™ Applicator	<a href="#">0638851000</a>

**PLEASE CHECK [WWW.MOLEX.COM](http://WWW.MOLEX.COM) FOR LATEST PART INFORMATION**

MATERIAL NO. LOOSE PIECE	ENG. NO.	MATERIAL NO. TAPE MOUNTED	ENG. NO.	STUD SIZE	±.003 "S"	"W" MAX. (A)	"C" MIN.	"L" MAX.	"H" ±.020/0.51 (A)
190440137	B-101-12HD	190440138	B-101-12HDT	12	.515 (13.10)	.760 (19.30)	.611 (15.52)	1.280 (32.51)	1.556 (39.52)
190440139	B-101-14HD	-----	-----	14	.265 (6.73)				
190440140	B-101-38HD	-----	-----	38	.390 (9.91)				
190440141	B-101-56HD	-----	-----	56	.328 (8.33)				
190440142	B-101-76HD	190440229	B-101-76HDT	76	.453 (11.51)	.385 (9.78)	.303 (7.70)	.785 (19.94)	
190440161	B-128-06HD	-----	-----	6	.146 (3.71)				
190440162	B-128-08HD	-----	-----	8	.173 (4.39)				
190440163	B-128-10HD	190440164	B-128-10HDT	10	.198 (5.03)	.540 (13.72)	.393 (9.98)	.952 (24.18)	1.234 (31.34)
190440166	B-130-10HD	190440022	B-130-10HDT	10	.198 (5.03)				
190440167	B-130-14HD	190440023	B-130-14HDT	14	.265 (6.73)	.292 (7.42)	.303 (7.70)	.741 (18.82)	
190440168	B-130-56HD	190440024	B-130-56HDT	56	.328 (8.33)				
190440172	B-136-04HD	-----	-----	4	.119 (3.02)	.598 (15.19)	.466 (11.84)	1.056 (26.82)	1.426 (36.22)
190440173	B-136-06HD	190440026	B-136-06HDT	6	.146 (3.71)				
190440174	B-136-08HD	190440027	B-136-08HDT	8	.173 (4.39)				
190440180	B-140-10HD	-----	-----	10	.198 (5.03)				
190440182	B-140-14HD	190440183	B-140-14HDT	14	.265 (6.73)				
190440184	B-140-38HD	190440185	B-140-38HDT	38	.390 (9.91)				
190440186	B-140-56HD	190440187	B-140-56HDT	56	.328 (8.33)				



DOUBLE SPACE ON B-101-\*\*HDT AND B-140-\*\*HDT ONLY

### SALES DRAWING

NOTE(S):  
 1. MATERIAL: COPPER (.050/1.27 THICK)  
 2. PLATING: ELECTROPLATE TIN.  
 3. ALL DIMENSIONS IN INCHES/(MM).

WIRE SIZE: 16-14 AWG  
 1.0 - 2.5 MM<sup>2</sup>

UPDATE TO MX STDS. EC NO. ETC2003-0203 DRWN: DLM 04/05/05 CHK: HB 04/05/05 APPR: RWD 04/05/05	QUALITY SYMBOLS	GENERAL TOLERANCES: (UNLESS SPECIFIED)	SCALE NTS	DESIGN UNITS <input type="checkbox"/> mm <input checked="" type="checkbox"/> INCH	THIRD ANGLE PROJECTION <input checked="" type="checkbox"/> mm <input type="checkbox"/> INCH	SHT	REV	
	MAJOR	mm	INCH	DRAWN BY & DATE	TITLE:			
	CRITICAL	4 PLACES ±0.----- ±.-----		DLM 03/02/28	RING TONGUE TERMINAL			
		3 PLACES ±0.--- ±.005		CHECKED BY & DATE	HEAVY-DUTY KRIMPTITE			
	2 PLACES ±0.13 ±.010		SB 03/02/28	16-14 AWG				
	1 PLACE ±0.25 ±.---		APPROVED BY & DATE					
		ANGULAR: ±1/2°	RWD 03/02/28	MOLEX INCORPORATED				
		DRAFT WHERE APPLICABLE MUST REMAIN WITHIN DIMENSIONS	CAD FILENAME	MATERIAL NO.	DRAWING NO.	SHEET NO.		
			SD19044008.DGN	(SEE CHART)	SD-19044-008	1 OF 1		
			THIS DRAWING CONTAINS INFORMATION THAT IS PROPRIETARY TO MOLEX INCORPORATED AND SHOULD NOT BE USED WITHOUT WRITTEN PERMISSION.				SIZE B	