

PLEASE CHECK WWW.MOLEX.COM FOR LATEST PART INFORMATION

Part Number: **0190090016**
Status: **Active**
Description: VibraKrimp™ Quick Disconnect Flag, Female, for 14-16 AWG Wire, Metal Strip Carrier

Documents:

[Drawing \(PDF\)](#) [RoHS Certificate of Compliance \(PDF\)](#)
[Product Specification PS-19902-005 \(PDF\)](#)

Agency Certification

CSA LR18689
 UL E79133

General

Product Family Quick Disconnects
 Series [19009](#)
 Comments Wire Grip
 Crimp Quality Equipment Yes
 Product Name VibraKrimp™
 Type Quick Disconnect

Physical

Barrel Type Closed
 Gender Female
 Glow-Wire Compliant No
 Insulation None
 Lock to Mating Part None
 Material - Metal Brass
 Orientation Flag
 Packaging Type Reel
 Polarized to Mating Part No
 Tab Thickness 0.81mm (.032")
 Tab Width 6.35mm (.250")
 Temperature Range - Operating Per Wire Specification
 Wire Insulation Diameter 3.68mm (.145")
 Wire Size AWG 14, 16
 Wire Size mm² 1.30 - 2.00

Electrical

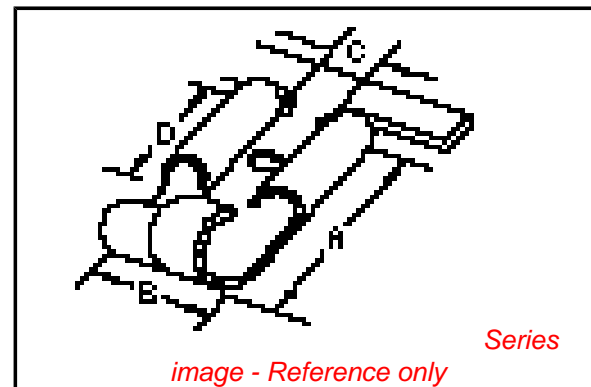
Voltage - Maximum Per Wire Specification

Material Info

Old Part Number BBZ-4169

Reference - Drawing Numbers

Product Specification PS-19902-005
 Sales Drawing CDFGS250



EU RoHS

ELV and RoHS Compliant
REACH SVHC Contains SVHC: No
Halogen-Free Status

China RoHS



Need more information on product environmental compliance?

Email productcompliance@molex.com
 For a multiple part number RoHS Certificate of Compliance, [click here](#)

Please visit the [Contact Us](#) section for any non-product compliance questions.

Search Parts in this Series

[19009Series](#)

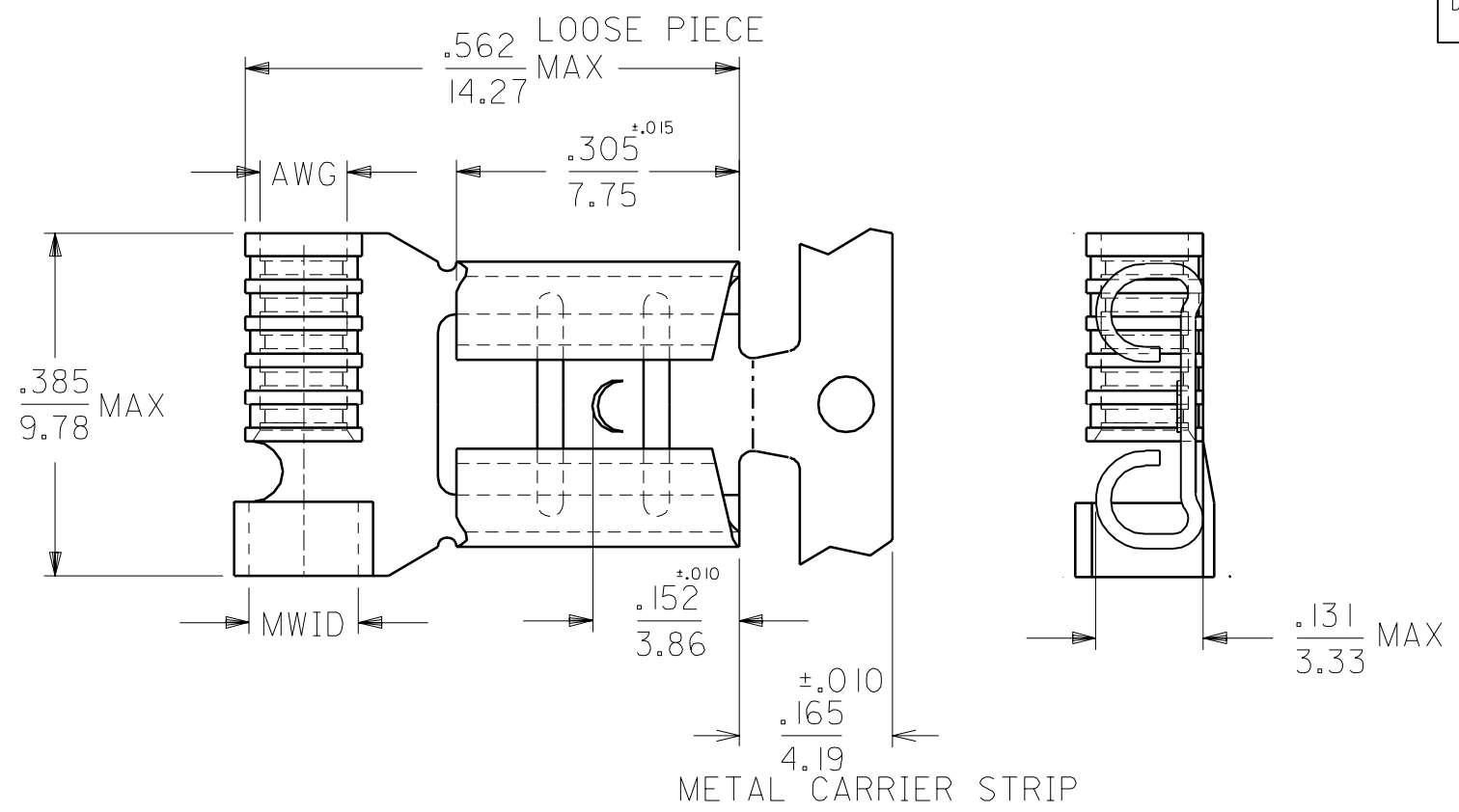
Application Tooling | [FAQ](#)

Tooling specifications and manuals are found by selecting the products below. Crimp Height Specifications are then contained in the Application Tooling Specification document.

Global

Description	Product #
Rear Feed Applicator for VibraKrimp™ Quick Disconnect Female Flag Terminals, 14-16 AWG.	0638027700
ASP Perishable Tool Kit used in ASP presses that process metal strip product	0190290152

PLEASE CHECK WWW.MOLEX.COM FOR LATEST PART INFORMATION



METAL STRIP PART NO.	LOOSE PIECE PART NO.	AWG	MWID	PLATING
AAZ-4168	AA-4168	22-18	.135/3.43	TIN
BBZ-4169	BB-4169	16-14	.145/3.68	TIN
NA	AA-4168-N	22-18	.135/3.43	NICKEL
NA	BB-4169-N	16-14	.145/3.68	NICKEL

A	ADD NICKLE PLATED PARTS TO CHART ET80171 04/24 JH
LTR.	REVISIONS

MATERIAL: .016 THICK BRASS

NOTES:
1. ALL DIMENSIONS = INCHES/MM

DIMENSIONS SHOWN (METRIC) INCH	
UNLESS OTHERWISE SPECIFIED TOLERANCES: ANGULAR ± 1/2°	
	INCH METRIC
3 PLACE	± .005 ± ---
2 PLACE	± .01 ± 0.13
1 PLACE	± --- ± 0.25
DRAFT WHERE APPLICABLE MUST REMAIN WITHIN DIMENSIONS	
DRWG. BY RCM	CHK'D. BY JM
APP'D. BY FP	SCALE 5: 1

REVISE ONLY ON CAD SYSTEM			
TITLE NON-INSULATED FLAG WITH INSULATION SUPPORT .250 X .032 TAB			
molex ETC INC. PINELLAS PARK, FLA. 33781 U.S.A.		SHEET NO.	DATE 11/07/91
PART NO.		DRWG. NO. CUST. DRWG.	
FILE NAME CDFGS250 DGN	THIS DRAWING CONTAINS INFORMATION THAT IS PROPRIETARY TO MOLEX-ETC INC. AND SHOULD NOT BE USED WITHOUT WRITTEN PERMISSION.		DIV. SIZE A