



TS925

RAIL TO RAIL HIGH OUTPUT CURRENT QUAD OPERATIONAL AMPLIFIER

- RAIL TO RAIL INPUT AND OUTPUT
- LOW NOISE : $9\text{nV}/\sqrt{\text{Hz}}$
- LOW DISTORTION
- HIGH OUTPUT CURRENT : **80mA**
(able to drive 32Ω loads)
- HIGH SPEED : **4MHz**, **1.3V/ μs**
- OPERATING FROM **2.7V TO 12V**
- LOW INPUT OFFSET VOLTAGE : $900\mu\text{V}$ max.
(TS925A)

- **ADJUSTABLE PHANTOM GROUND ($V_{\text{CC}}/2$)**
- **STANDBY MODE**

- ESD INTERNAL PROTECTION : 2kV
- LATCH-UP IMMUNITY
- **MACROMODEL INCLUDED IN THIS SPECIFICATION**

DESCRIPTION

The TS925 is a RAIL TO RAIL quad BiCMOS operational amplifier optimized and fully specified for 3V and 5V operations.

It includes a high output current and low impedance PHANTOM GROUND (no external reference requested).

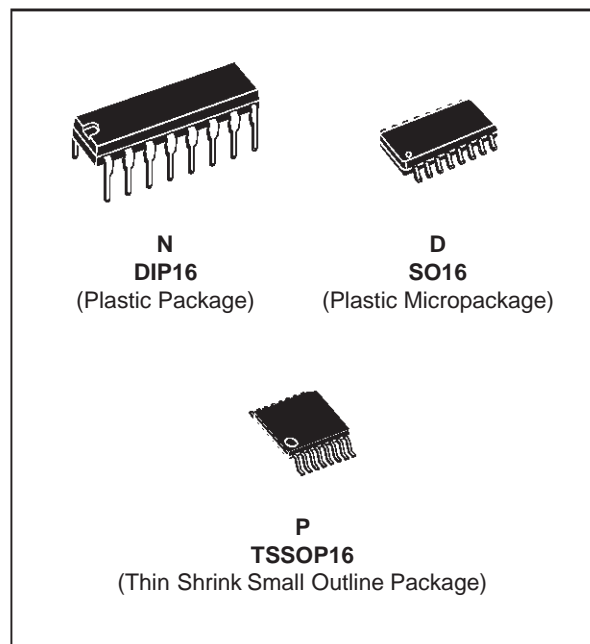
The TS925 exhibits a very low noise, low distortion and high output current making this device an excellent choice for high quality, low voltage or battery operated audio/telecom systems.

This device is stable when charging the output with capacitive loads up to 500pF.

When the STANDBY mode is enabled, the total consumption drops to $6\mu\text{A}$ ($V_{\text{CC}} = 3\text{V}$).

APPLICATIONS

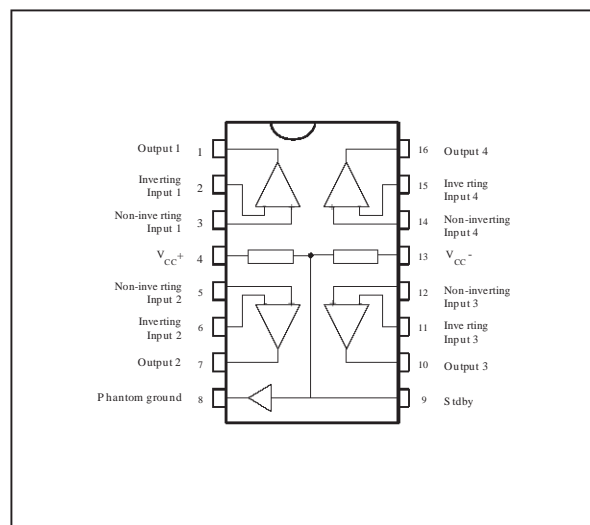
- Headphone amplifier
- Soundcard amplifier, piezoelectric speaker
- MPEG boards, multimedia systems, ...
- Cordless telephones and portable communication equipment
- Line driver, buffer
- Instrumentation with low noise as key factor



ORDER CODES

Part Number	Temperature Range	Package		
		N	D	P
TS925I	-40, +125°C	•	•	•

PIN CONNECTIONS



ABSOLUTE MAXIMUM RATINGS

Symbol	Parameter	Value	Unit
V_{CC}	Supply Voltage - (note 1)	14	V
V_{id}	Differential Input Voltage - (note 2)	± 1	V
V_i	Input Voltage - (note 3)	-0.3 to 14	V
T_{oper}	Operating Free Air Temperature Range	-40 to +125	$^{\circ}\text{C}$
T_j	Maximum Junction Temperature	150	$^{\circ}\text{C}$
R_{thja}	Thermal Resistance Junction to Ambient	130	$^{\circ}\text{C}/\text{W}$
	Output Short-Circuit Duration	see note 4	

Notes :

1. All voltage values, except differential voltage are with respect to network ground terminal.
2. Differential voltages are the non-inverting input terminal with respect to the inverting input terminal.
3. The magnitude of input and output voltages must never exceed $V_{CC} + 0.3\text{V}$.
4. Short-circuits can cause excessive heating. Destructive dissipation can result from simultaneous short-circuit on all amplifiers. Do not short circuit outputs to V_{CC} when exceeding 8V : this can induce reliability defects.

OPERATING CONDITIONS

Symbol	Parameter	Value	Unit
V_{CC}	Supply Voltage	2.7 to 12	V
V_{icm}	Common Mode Input Voltage Range	$V_{CC} - 0.2$ to $V_{CC} + 0.2$	V

ELECTRICAL CHARACTERISTICS
 $V_{CC}^+ = 3V, V_{CC}^- = 0V, T_{amb} = 25^{\circ}C$ (unless otherwise specified)
OPERATIONAL AMPLIFIER

Symbol	Parameter	Test Condition	Min.	Typ.	Max.	Unit
V_{io}	Input Offset Voltage	TS925 TS925A $T_{min.} < T_{amb.} < T_{max.}$ TS925 TS925A			3 0.9 5 1.8	mV
DV_{io}	Input Offset Voltage Drift			2		$\mu V/^{\circ}C$
I_{io}	Input Offset Current	$V_{out} = 1.5V$		1	30	nA
I_{ib}	Input Bias Current	$V_{out} = 1.5V$		15	100	nA
V_{OH}	High Level Output Voltage R_L connected to $V_{CC/2}$	$R_L = 10k$ $R_L = 600\Omega$ $R_L = 32\Omega$	2.90 2.87	2.63		V
V_{OL}	Low Level Output Voltage R_L connected to $V_{CC/2}$	$R_L = 10k$ $R_L = 600\Omega$ $R_L = 32\Omega$		180	50 100	mV
A_{vd}	Large Signal Voltage Gain	$V_{out} = 2V_{pk-pk}$ $R_L = 10k$ $R_L = 600\Omega$ $R_L = 32\Omega$		200 35 16		V/mV
GBP	Gain Bandwidth Product	$R_L = 600\Omega$		4		MHz
CMR	Common Mode Rejection Ratio		60	80		dB
SVR	Supply Voltage Rejection Ratio	$V_{CC} = 2.7V$ to $3.3V$	60	85		dB
I_o	Output Short-circuit Current		50	80		mA
SR	Slew Rate		0.7	1.3		V/ μs
Pm	Phase Margin at Unit Gain	$R_L = 600\Omega, C_L = 100pF$		68		Degrees
GM	Gain Margin	$R_L = 600\Omega, C_L = 100pF$		12		dB
e_n	Equivalent Input Noise Voltage	$f = 1KHz$		9		$\frac{nV}{\sqrt{Hz}}$
THD	Total Harmonic Distortion	$V_{out} = 2V_{pk-pk}, f = 1kHz$ $A_V = 1$ $R_L = 600\Omega$		0.01		%
C_s	Channel Separation			120		dB

GLOBAL CIRCUIT

Symbol	Parameter	Test Condition	Min.	Typ.	Max.	Unit
I _{CC}	Total Supply Current	No load, V _{out} = V _{CC/2}		5	7	mA
I _{stby}	Total Supply Current in STANDBY (pin 9 connected to V _{CC})			6		μA
V _{enstby}	Pin 9 Voltage to enable the STANDBY mode - (note 1)	T _{min.} ≤ T _{amb} ≤ T _{max.}			0.3 0.4	V
V _{distby}	Pin 9 Voltage to disable the STANDBY mode - (note 1)	T _{min.} ≤ T _{amb} ≤ T _{max.}	1.1 1			V

Note 1 : the STANDBY mode is currently enabled when Pin 9 is GROUNDED and disabled when Pin 9 is left OPEN.

PHANTOM GROUND

Symbol	Parameter	Test Condition	Min.	Typ.	Max.	Unit
V _{pg}	Phantom Ground Output Voltage	No Output Current	V _{CC/2} -5%	V _{CC/2}	V _{CC/2} +5%	V
I _{pgsc}	Phantom Ground Output Short Circuit Current (sourced)		12	18		mA
Z _{pg}	Phantom Ground Impedance	DC to 20kHz		3		Ω
E _{npG}	Phantom Ground Output Voltage Noise (f = 1kHz)	C _{dec} = 100pF C _{dec} = 1nF C _{dec} = 10nF (note 2)		200 40 17		nV/√Hz
I _{pgsk}	Phantom Ground Output Short Circuit Current (sunked)		12	18		mA

Note 2 : C_{dec} is the decoupling capacitor on Pin 9.

ELECTRICAL CHARACTERISTICS
 $V_{CC}^+ = 5V, V_{CC}^- = 0V, T_{amb} = 25^{\circ}C$ (unless otherwise specified)
OPERATIONAL AMPLIFIER

Symbol	Parameter	Test Condition	Min.	Typ.	Max.	Unit
V_{io}	Input Offset Voltage	TS925 TS925A $T_{min.} < T_{amb.} < T_{max.}$ TS925 TS925A			3 0.9 5 1.8	mV
DV_{io}	Input Offset Voltage Drift			2		$\mu V/^{\circ}C$
I_{io}	Input Offset Current	$V_{out} = 2.5V$		1	30	nA
I_{ib}	Input Bias Current	$V_{out} = 2.5V$		15	100	nA
V_{OH}	High Level Output Voltage R_L connected to $V_{CC}/2$	$R_L = 10k$ $R_L = 600\Omega$ $R_L = 32\Omega$	4.9 4.85	4.4		V
V_{OL}	Low Level Output Voltage R_L connected to $V_{CC}/2$	$R_L = 10k$ $R_L = 600\Omega$ $R_L = 32\Omega$		300	50 120	mV
A_{vd}	Large Signal Voltage Gain	$V_{out} = 4V_{pk-pk}$ $R_L = 10k$ $R_L = 600\Omega$ $V_{out} = 2V_{pk-pk}, R_L = 32\Omega$		200 40 17		V/mV
GBP	Gain Bandwidth Product	$R_L = 600\Omega$		4		MHz
CMR	Common Mode Rejection Ratio		60	80		dB
SVR	Supply Voltage Rejection Ratio	$V_{CC} = 3V$ to $5V$	60	85		dB
I_o	Output Short-circuit Current		50	80		mA
SR	Slew Rate		0.7	1.3		V/ μs
Pm	Phase Margin at Unit Gain	$R_L = 600\Omega, C_L = 100pF$		68		Degrees
GM	Gain Margin	$R_L = 600\Omega, C_L = 100pF$		12		dB
e_n	Equivalent Input Noise Voltage	$f = 1KHz$		9		$\frac{nV}{\sqrt{Hz}}$
THD	Total Harmonic Distortion	$V_{out} = 3V_{pk-pk}, f = 1kHz$ $A_V = 1$ $R_L = 600\Omega$		0.01		%
C_s	Channel Separation			120		dB

GLOBAL CIRCUIT

Symbol	Parameter	Test Condition	Min.	Typ.	Max.	Unit
I _{CC}	Total Supply Current	No load, V _{out} = V _{CC/2}		6	8	mA
I _{stby}	Total Supply Current in STANDBY (pin 9 connected to V _{CC})			10		μA
V _{enstby}	Pin 9 Voltage to enable the STANDBY mode - (note 1)	T _{min.} ≤ T _{amb} ≤ T _{max.}			0.3 0.4	V
V _{distby}	Pin 9 Voltage to disable the STANDBY mode - (note 1)	T _{min.} ≤ T _{amb} ≤ T _{max.}	1.1 1			V

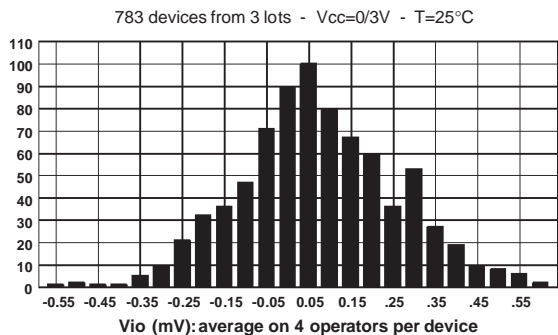
Note 1 : the STANDBY mode is currently enabled when Pin 9 is GROUNDED and disabled when Pin 9 is left OPEN.

PHANTOM GROUND

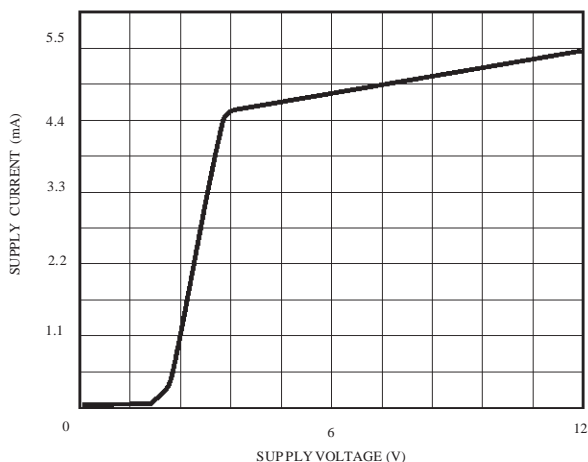
Symbol	Parameter	Test Condition	Min.	Typ.	Max.	Unit
V _{pg}	Phantom Ground Output Voltage	No Output Current	V _{CC/2} -5%	V _{CC/2}	V _{CC/2} +5%	V
I _{pgsc}	Phantom Ground Output Short Circuit Current (sourced)		12	18		mA
Z _{pg}	Phantom Ground Impedance	DC to 20kHz		3		Ω
E _{npG}	Phantom Ground Output Voltage Noise (f = 1kHz)	C _{dec} = 100pF C _{dec} = 1nF C _{dec} = 10nF (note 2)		200 40 17		nV/√Hz
I _{pgsk}	Phantom Ground Output Short Circuit Current (sunked)		12	18		mA

Note 2 : C_{dec} is the decoupling capacitor on Pin 9.

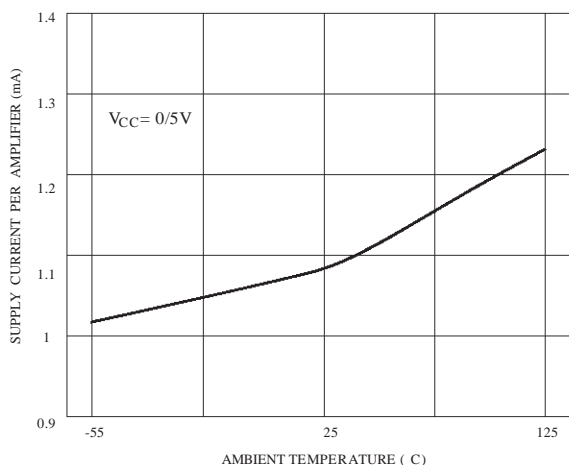
INPUT OFFSET VOLTAGE DISTRIBUTION



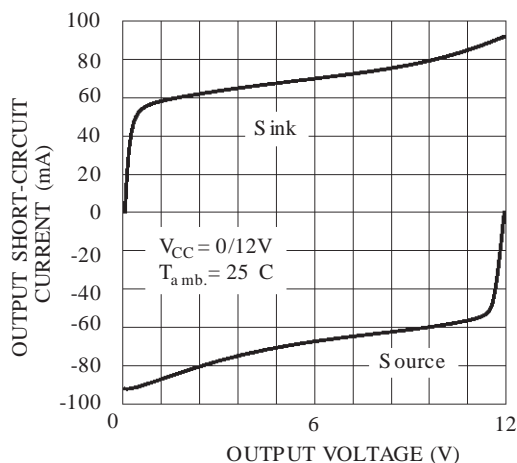
TOTAL SUPPLY CURRENT VERSUS SUPPLY VOLTAGE WITH NO LOAD



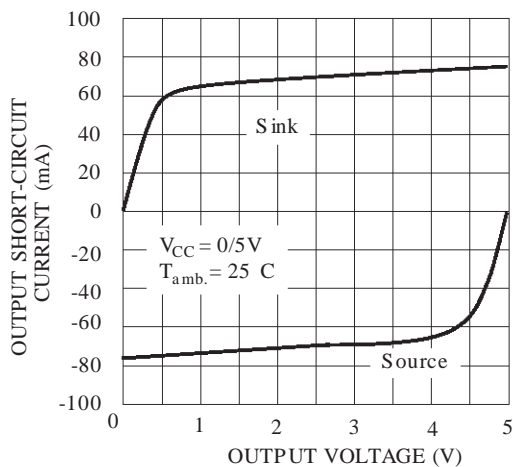
SUPPLY CURRENT/AMPLIFIER VERSUS TEMPERATURE



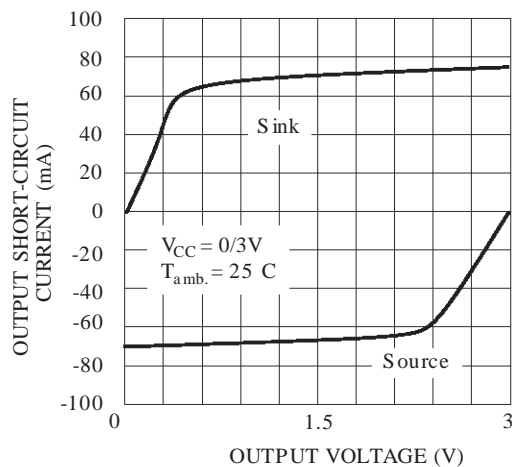
OUTPUT SHORT CIRCUIT CURRENT VERSUS OUTPUT VOLTAGE



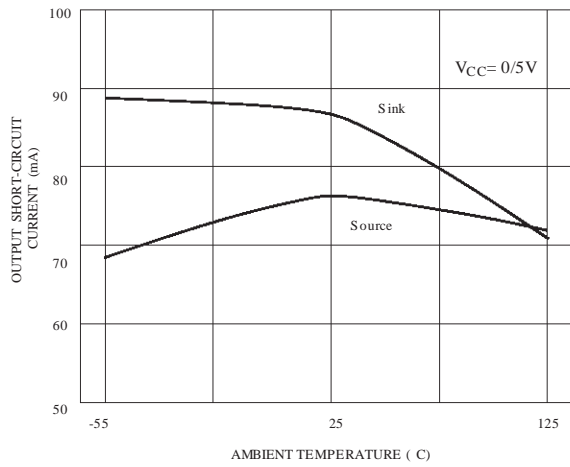
OUTPUT SHORT CIRCUIT CURRENT VERSUS OUTPUT VOLTAGE



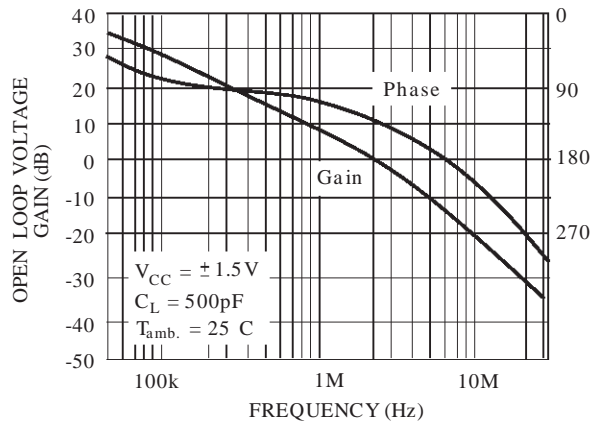
OUTPUT SHORT CIRCUIT CURRENT VERSUS OUTPUT VOLTAGE



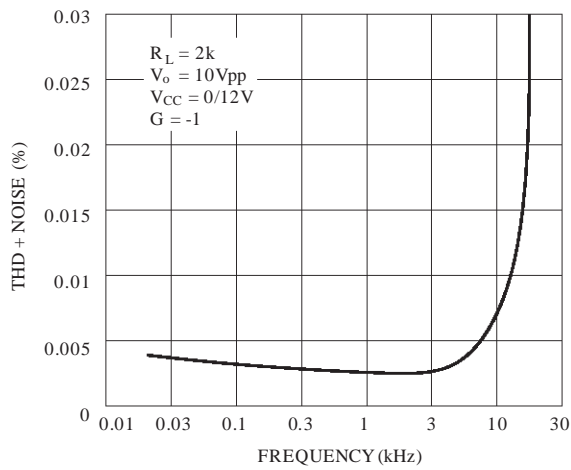
OUTPUT SHORT CIRCUIT CURRENT VERSUS TEMPERATURE



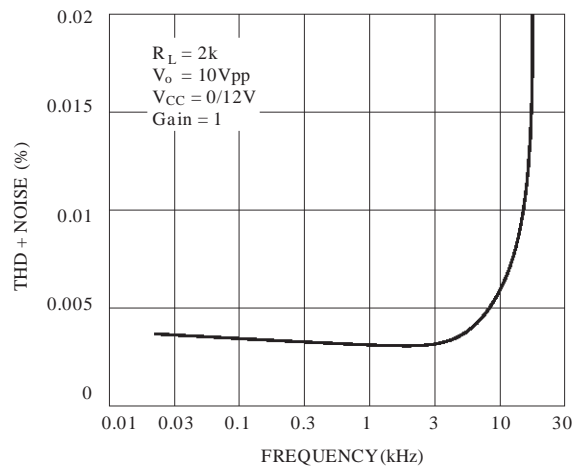
VOLTAGE GAIN AND PHASE VERSUS FREQUENCY



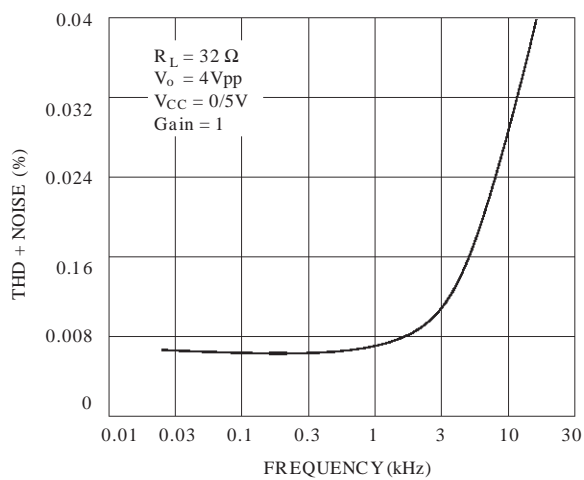
DISTORTION + NOISE VERSUS FREQUENCY



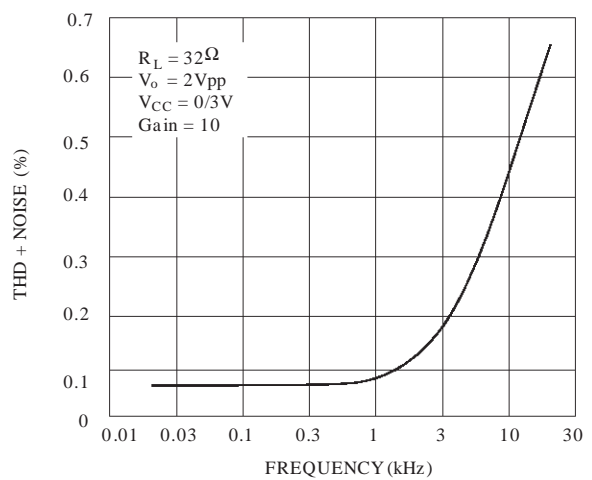
THD + NOISE VERSUS FREQUENCY



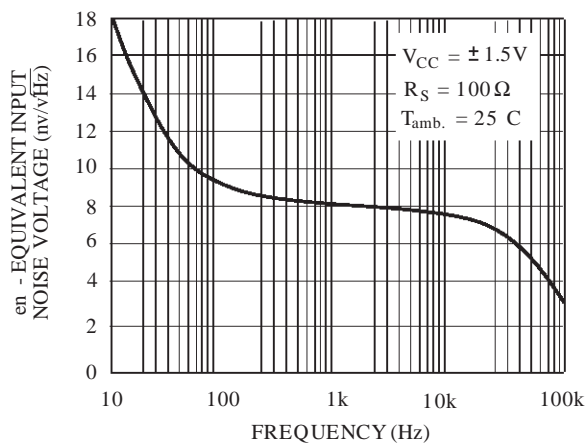
THD + NOISE VERSUS FREQUENCY



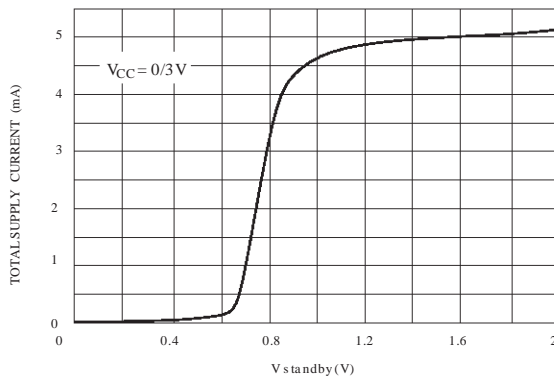
THD + NOISE VERSUS FREQUENCY



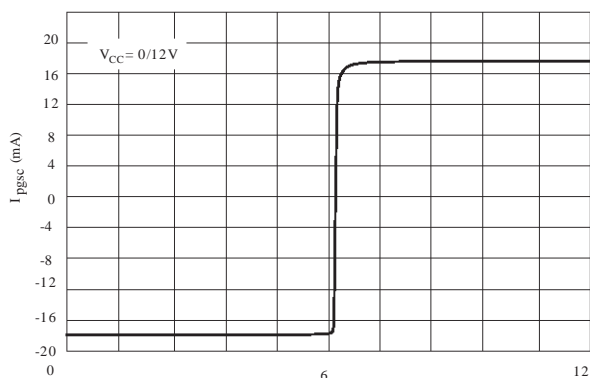
**EQUIVALENT INPUT NOISE VOLTAGE
VERSUS FREQUENCY**



**TOTAL SUPPLY CURRENT VERSUS
STANDBY INPUT VOLTAGE**



**PHANTOM GROUND SHORT CIRCUIT
OUTPUT CURRENT VERSUS PHANTOM
GROUND OUTPUT VOLTAGE**



PREAMPLIFIER AND SPEAKER DRIVER USING TS925

by F. MARICOURT

The TS925 is an input/output rail to rail quad BiCMOS operational amplifier. It is able to operate with low supply voltage (2.7V) and to drive low output loads such as 32Ω.

As an illustration of these features, the following technical note is describing the way to use all the advantages of the device in a global audio application.

APPLICATION CIRCUIT

The figure 1 is showing that two operators (A1, A4) are used in a preamplifier configuration and the two others in a push-pull configuration driving a headset. The phantom ground is used as a common reference level ($V_{CC/2}$).

The power supply is delivered with 2 batteries LR6 (2x1.5V nominal).

Preamplifier : the operators A1 and A4 are wired with a non inverting gain of respectively :

- A1# ($R4/(R3+R17)$)
- A4# $R6/R5$

With the following values chosen :

- $R4=22k\Omega$ - $R3=50\Omega$ - $R17=1.2k\Omega$
- $R6=47k\Omega$ - $R5=1.2k\Omega$,

the gain of the preamplifier chain is then 58dB.

Nevertheless, the gain of A1 can be adjusted by choosing a JFET transistor Q1 instead of R17.

Figure 1 : Electrical Schematic

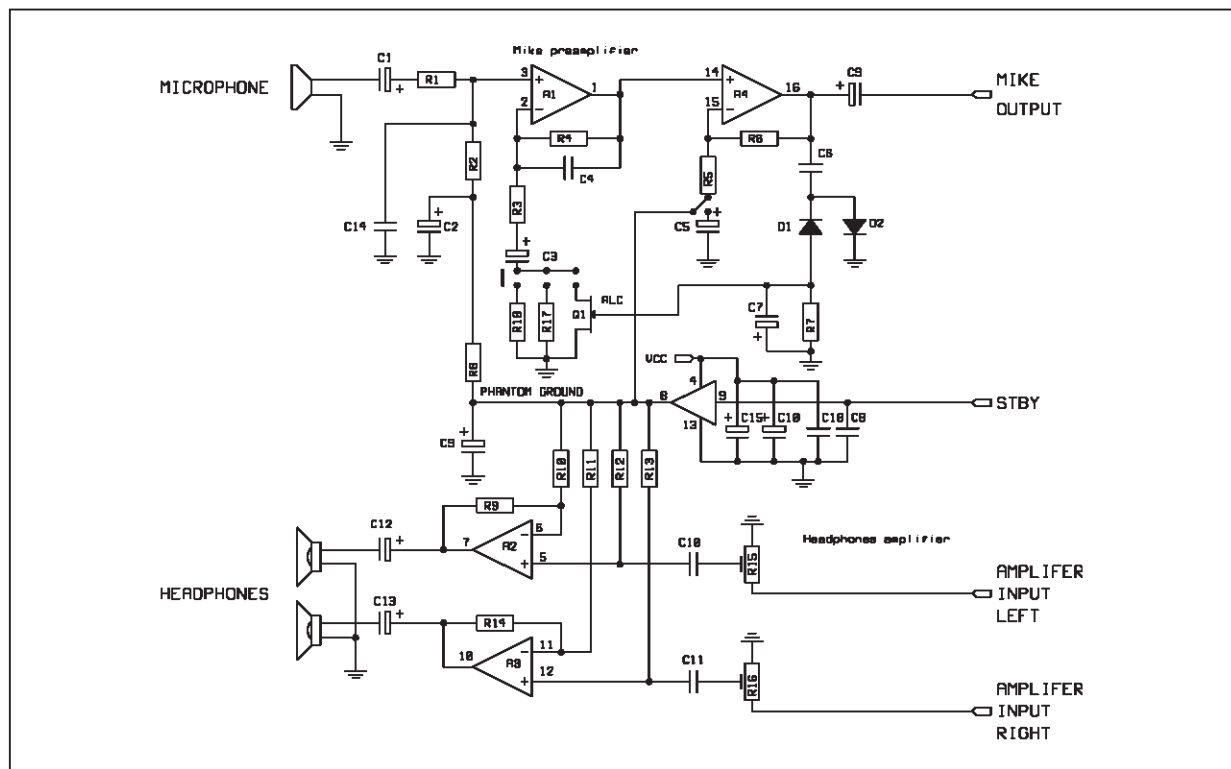


Figure 2 : Frequency Response of the Global Preamplifier Chain

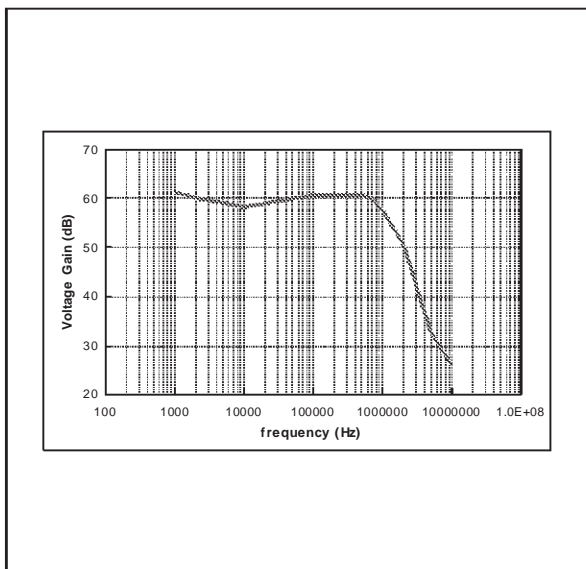
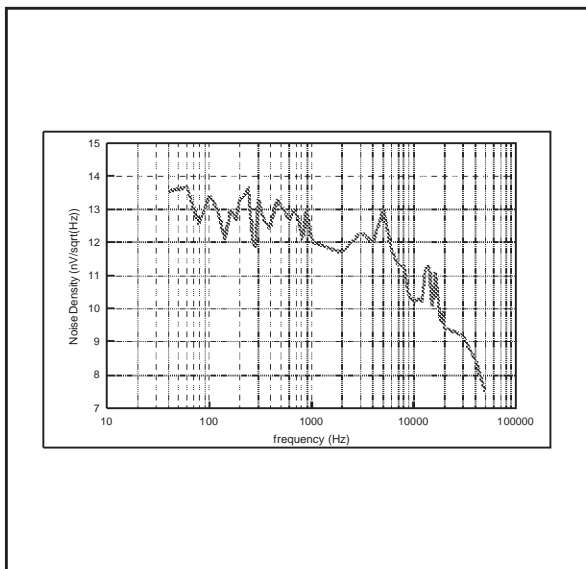


Figure 3 : Voltage Noise Density versus Frequency at Preamplifier Output



Headphone amplifier : the operators A2 and A3 are organized in a push-pull configuration with a gain of 5. The stereo inputs can be connected to a CD-player and TS925 drives directly the headphone speakers. This configuration underscores the ability of the circuit to drive 32Ω load with a maximum output swing and a high fidelity for reproducing sounds and musics.

Figure 4 is displaying the available swing at the headset outputs : this is done with TS925 (non distorted curve) and with two other rail to rail competitor parts.

Figure 4 : Maximul Output Swing Voltage at Headphone Outputs

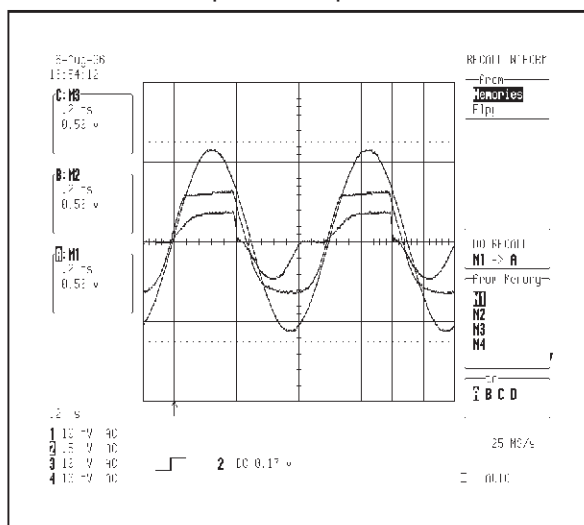
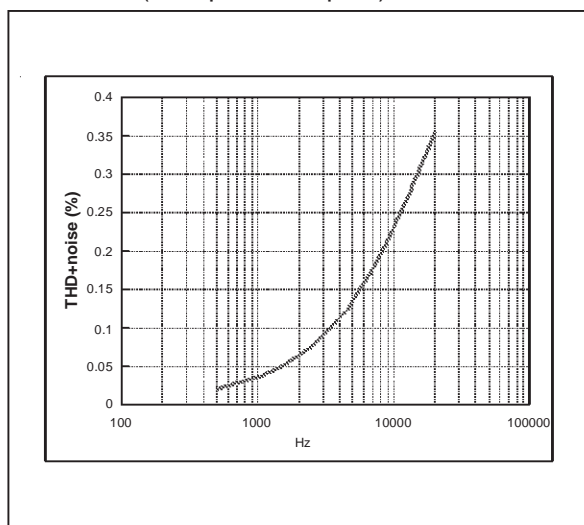


Figure 5 : THD+Noise versus Frequency (headphone outputs)



MACROMODEL

- RAIL TO RAIL INPUT AND OUTPUT
- LOW NOISE : **9nV/√Hz**
- LOW DISTORTION

- HIGH OUTPUT CURRENT : **50mA min.**
(able to drive **32Ω** loads)
- HIGH SPEED : **4MHz, 1.3V/μs**
- OPERATING FROM **2.7V TO 12V**

```

** StandardLinear Ics Macromodels, 1996.
** CONNECTIONS :
* 1 INVERTING INPUT
* 2 NON-INVERTING INPUT
* 3 OUTPUT
* 4 POSITIVE POWER SUPPLY
* 5 NEGATIVE POWER SUPPLY

.SUBCKT TS925 1 3 2 4 5 (analog)
*****
.MODEL MDTH D IS=1E-8 KF=2.664234E-16
CJO=10F
* INPUT STAGE
CIP 2 5 1.000000E-12
CIN 1 5 1.000000E-12
EIP 10 5 2 5 1
EIN 16 5 1 5 1
RIP 10 11 8.125000E+00
RIN 15 16 8.125000E+00
RIS 11 15 2.238465E+02
DIP 11 12 MDTH 400E-12
DIN 15 14 MDTH 400E-12
VOFP 12 13 DC 153.5u
VOFN 13 14 DC 0
IPOL 13 5 3.200000E-05
CPS 11 15 1e-9
DINN 17 13 MDTH 400E-12
VIN 17 5 -0.100000e+00
DINR 15 18 MDTH 400E-12
VIP 4 18 0.400000E+00
FCP 4 5 VOFP 1.865000E+02
FCN 5 4 VOFN 1.865000E+02
FIBP 2 5 VOFP 6.250000E-03
FIBN 5 1 VOFN 6.250000E-03
* GM1 STAGE *****
FGM1P 119 5 VOFP 1.1
FGM1N 119 5 VOFN 1.1
RAP 119 4 2.6E+06
RAN 119 5 2.6E+06
* GM2 STAGE *****
G2P 19 5 119 5 1.92E-02
G2N 19 5 119 4 1.92E-02

```

```

R2P 19 4 1E+07
R2N 19 5 1E+07
*****
VINT1 500 0 5
GCONVP 500 501 119 4 19.38 !envoi ds VP,
I(VP)=(V119-V4)/2/Ut VP 501 0 0
GCONVN 500 502 119 5 19.38 !envoi ds VN,
I(VN)=(V119-V5)/2/Ut VN 502 0 0
***** orientation isink isource *****
VINT2 503 0 5
FCOPY 503 504 VOUT 1
DCOPYP 504 505 MDTH 400E-9
VCOPYP 505 0 0
DCOPYN 506 504 MDTH 400E-9
VCOPYN 0 506 0
*****
F2PP 19 5 poly(2) VCOPYP VP 0 0 0 0 0.5 !multiplie
I(vout)*I(VP)=lout*(V119-V4)/2/Ut
F2PN 19 5 poly(2) VCOPYP VN 0 0 0 0 0.5
!multiplie I(vout)*I(VN)=lout*(V119-V5)/2/Ut
F2NP 19 5 poly(2) VCOPYN VP 0 0 0 0 1.75
!multiplie I(vout)*I(VP)=lout*(V119-V4)/2/Ut
F2NN 19 5 poly(2) VCOPYN VN 0 0 0 0 1.75
!multiplie I(vout)*I(VN)=lout*(V119-V5)/2/Ut
* COMPENSATION *****
CC 19 119 25p
* OUTPUT *****
DOPM 19 22 MDTH 400E-12
DONM 21 19 MDTH 400E-12
HOPM 22 28 VOUT 6.250000E+02
VIPM 28 4 5.000000E+01
HONM 21 27 VOUT 6.250000E+02
VINM 5 27 5.000000E+01
VOUT 3 23 0
ROUT 23 19 6
COUT 3 5 1.300000E-10
DOP 19 25 MDTH 400E-12
VOP 4 25 1.052
DON 24 19 MDTH 400E-12
VON 24 5 1.052
.ENDS

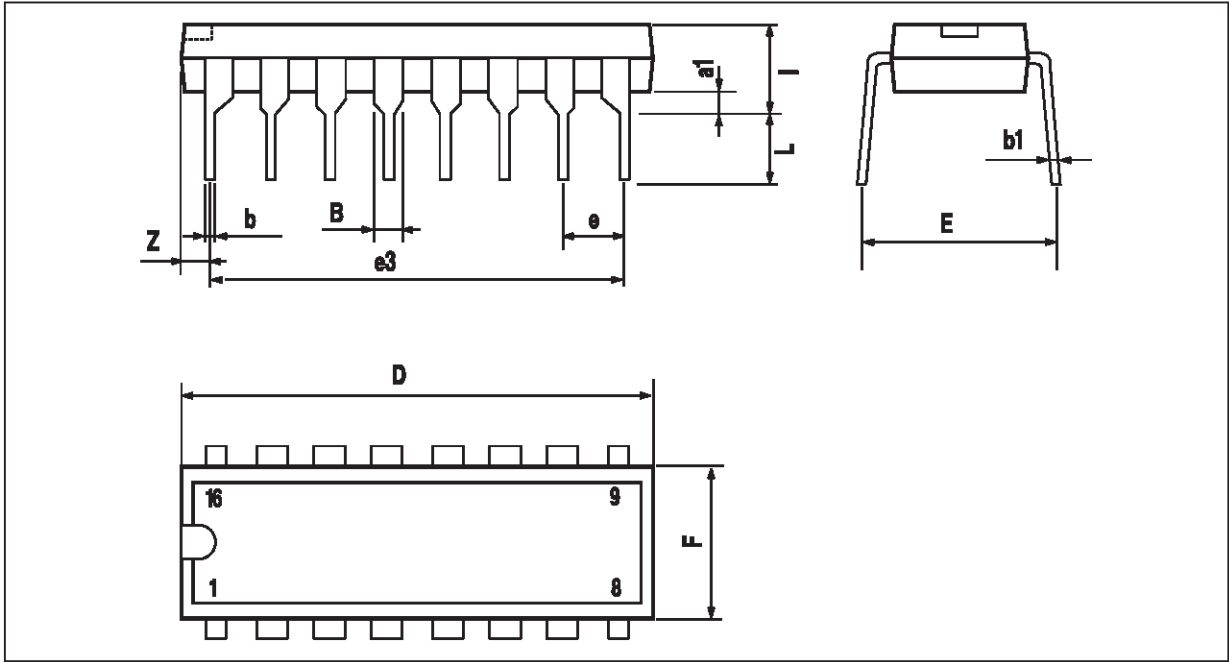
```

ELECTRICAL CHARACTERISTICS

$V_{CC}^+ = 3V$, $V_{CC}^- = 0V$, R_L, C_L connected to $V_{CC}/2$, $T_{amb} = 25^\circ C$
(unless otherwise specified)

Symbol	Conditions	Value	Unit
V_{io}		0	mV
A_{vd}	$R_L = 10k\Omega$	200	V/mV
I_{CC}	No load, per operator	1.2	mA
V_{icm}		-0.2 to 3.2	V
V_{OH}	$R_L = 10k\Omega$	2.95	V
V_{OL}	$R_L = 10k\Omega$	25	mV
I_{sink}	$V_O = 3V$	80	mA
I_{source}	$V_O = 0V$	80	mA
GBP	$R_L = 600\Omega$	4	MHz
SR	$R_L = 10k\Omega$, $C_L = 100pF$	1.3	V/ μs
$\varnothing m$	$R_L = 600\Omega$	68	Degrees

PACKAGE MECHANICAL DATA
16 PINS - PLASTIC DIP

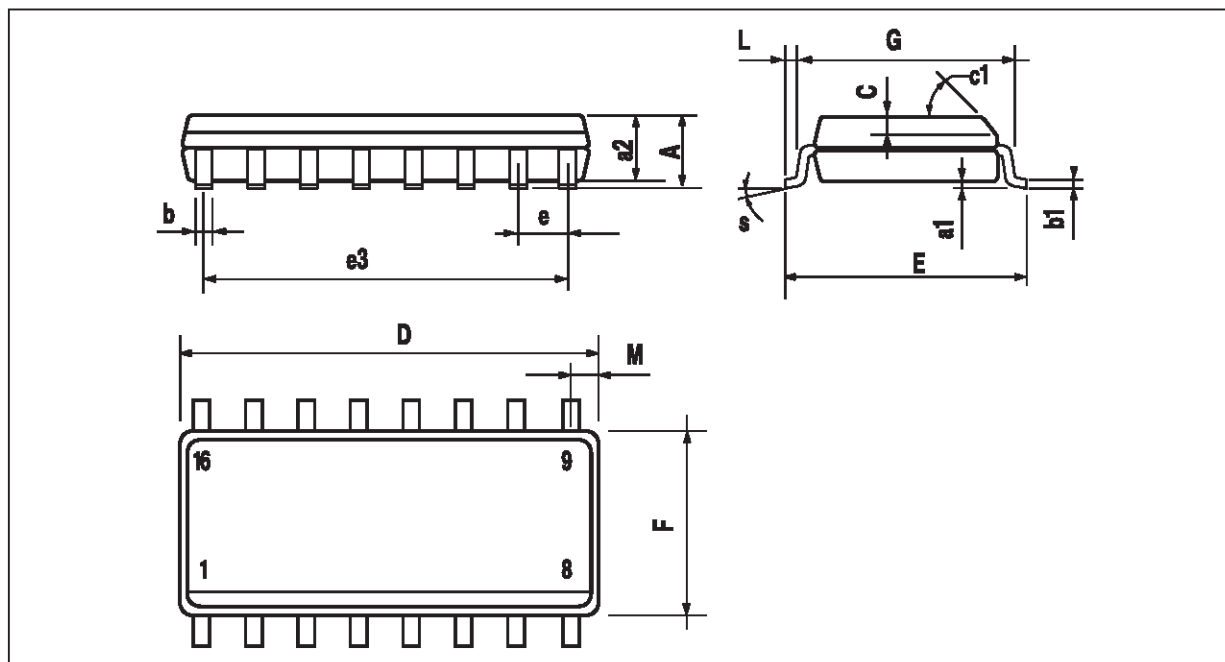


Dimensions	Millimeters			Inches		
	Min.	Typ.	Max.	Min.	Typ.	Max.
a1	0.51			0.020		
B	0.77		1.65	0.030		0.065
b		0.5			0.020	
b1		0.25			0.010	
D			20			0.787
E		8.5			0.335	
e		2.54			0.100	
e3		17.78			0.700	
F			7.1			0.280
i			5.1			0.201
L		3.3			0.130	
Z			1.27			0.050

PM-DIP16.EPS

DIP16.TBL

PACKAGE MECHANICAL DATA
 16 PINS - PLASTIC MICROPACKAGE (SO)

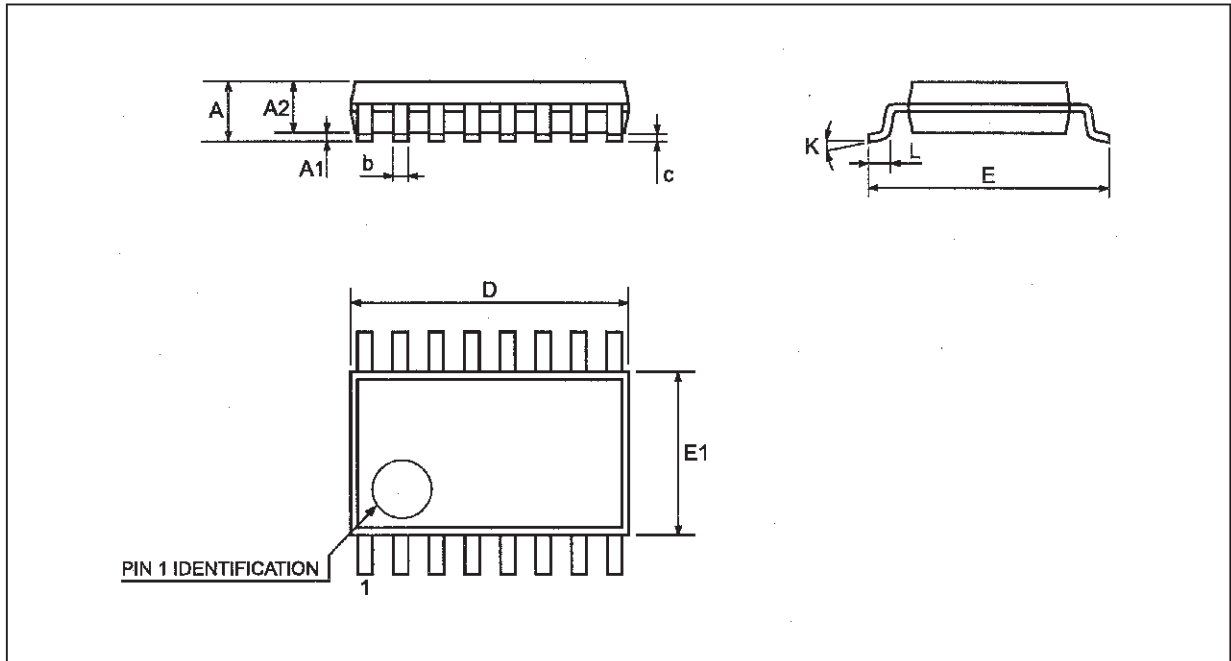


PM-SO16.EPS

Dimensions	Millimeters			Inches		
	Min.	Typ.	Max.	Min.	Typ.	Max.
A			1.75			0.069
a1	0.1		0.2	0.004		0.008
a2			1.6			0.063
b	0.35		0.46	0.014		0.018
b1	0.19		0.25	0.007		0.010
C		0.5			0.020	
c1	45° (typ.)					
D	9.8		10	0.386		0.394
E	5.8		6.2	0.228		0.244
e		1.27			0.050	
e3		8.89			0.350	
F	3.8		4.0	0.150		0.157
G	4.6		5.3	0.181		0.209
L	0.5		1.27	0.020		0.050
M			0.62			0.024

SO16.TBL

PACKAGE MECHANICAL DATA
 16 PINS - THIN SHRINK SMALL OUTLINE PACKAGE



Dim.	Millimeters			Inches		
	Min.	Typ.	Max.	Min.	Typ.	Max.
A			1.20			0.05
A1	0.05		0.15	0.01		0.006
A2	0.80	1.00	1.05	0.031	0.039	0.041
b	0.15		0.30	0.005		0.15
c	0.1		0.20	0.003		0.012
D	4.90	5.00	5.10	0.192	0.196	0.20
E		6.40			0.252	
E1	4.30	4.40	4.50	0.169	0.173	0.177
e		0.65			0.025	
k	0°		8°	0°		8°
l	0.50	0.60	0.75	0.09	0.0236	0.030

Information furnished is believed to be accurate and reliable. However, STMicroelectronics assumes no responsibility for the consequences of use of such information nor for any infringement of patents or other rights of third parties which may result from its use. No license is granted by implication or otherwise under any patent or patent rights of STMicroelectronics. Specifications mentioned in this publication are subject to change without notice. This publication supersedes and replaces all information previously supplied. STMicroelectronics products are not authorized for use as critical components in life support devices or systems without express written approval of STMicroelectronics.

© The ST logo is a trademark of STMicroelectronics

© 1998 STMicroelectronics – Printed in Italy – All Rights Reserved
 STMicroelectronics GROUP OF COMPANIES

Australia - Brazil - Canada - China - France - Germany - Italy - Japan - Korea - Malaysia - Malta - Mexico - Morocco
 The Netherlands - Singapore - Spain - Sweden - Switzerland - Taiwan - Thailand - United Kingdom - U.S.A.

ORDER CODE :