

CCD Imager Analog Processor

Features

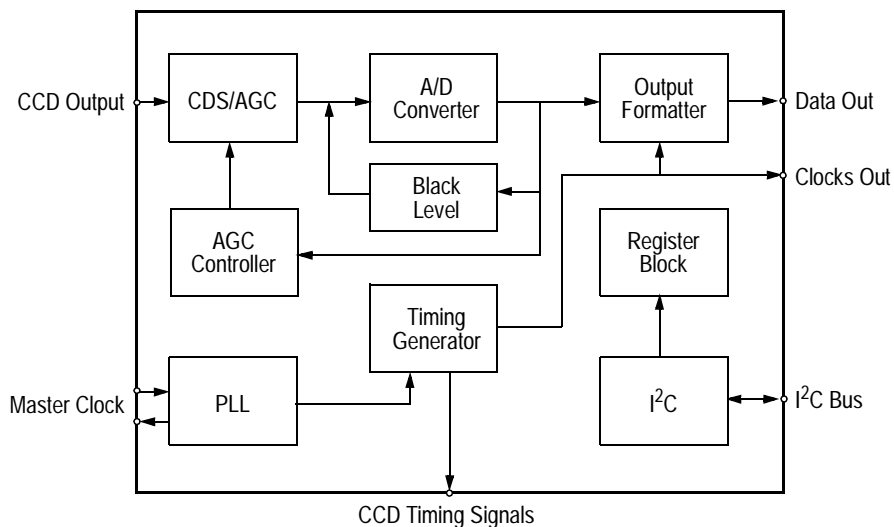
- 10-Bit A/D Converter
- Multi-Sync CCD Timing Generator, handles imagers up to 1000 pixels wide
- Integrated Correlated Double Sampler
- 38 dB Automatic Analog Gain Control
- Up to 90 dB Total Gain Adjust Range
- Closed-Loop "Fuzzy" AGC/Exposure
- Code 16 Black Level Clamp
- I²C Control Bus
- 4-Phase Vertical CCD Timing Signals
- No CCD Buffer Amplifier Required
- Master Clock or Crystal Controlled

Description

The CS7615 is a low-power Analog front-end processor for standard four-color interline transfer CCD imagers. The architecture includes a correlated double sampler, AGC amplifier, black-level clamp, 10-Bit A/D converter, and a complete multi-sync CCD timing generator. The analog CCD imager output can be directly connected to the CS7615 input, which does not require an external buffer amplifier. The pixel data is double sampled for improved noise performance, and gain adjusted prior to being digitized by the A/D converter. Feedback from the A/D converter holds the image black level at code-16 (assumes 8-bit data path), addressing ITU-601 compliance issues. The multi-sync CCD timing generator is programmed via the I²C bus, and can be used with a wide range of interline transfer CCD imagers up to 1000 pixels wide. The CS7615 supports full ITU-601 compliance for images up to 720 pixels wide, and is compatible with both NTSC and PAL timing. The CS7615 is designed to be used along with either the CS7665 or CS7666 Digital Color-Space Processor for CCD Cameras, which generates a 4:2:2 component digital video output.

ORDERING INFORMATION

CS7615-KQ 0° to +70° C 44-pin TQFP
(10 mm × 10 mm × 1.6 mm)



Preliminary Product Information

This document contains information for a new product. Cirrus Logic reserves the right to modify this product without notice.

TABLE OF CONTENTS

ANALOG CHARACTERISTICS:	3
DIGITAL CHARACTERISTICS:	3
POWER CONSUMPTION:	3
CONTROL PORT CHARACTERISTICS:	4
SWITCHING CHARACTERISTICS:	5
RECOMMENDED OPERATING CHARACTERISTICS:	5
ABSOLUTE MAXIMUM RATINGS:	5
GENERAL DESCRIPTION	6
Overview	6
Interfacing the CS7615 with CS7665 or CS7666	6
Operation	6
CCD Timing Generator	8
Vertical Timing Specifications	8
Horizontal Timing Specifications	8
Description of Operation	9
Automatic Gain Control	9
Correlated Double Sampling (CDS)	11
Analog to Digital Converter	15
Black Level Adjust to Code 16 (10-bit Code 64)	15
Formatter	15
SERIAL CONTROL BUS	16
Station Address	16
Write Operations	16
Address Set Operation	16
Read Operations	16
REGISTER DESCRIPTIONS	17
PIN DESCRIPTIONS	30
PACKAGE DIMENSIONS	34

ANALOG CHARACTERISTICS: ($T_A=25^\circ\text{C}$; $V_{AA}=V_{DD}=5\text{V}$; Output Load=30pF)

Parameter	Symbol	Min	Typ	Max	Units
Dynamic Performance					
Integral Non-Linearity	INL	-	1	-	LSB
Differential Non-Linearity	DNL	-	0.75	-	LSB
Analog Input					
Analog Input Capacitance	C_{IN}	-	10	-	pF
Automatic Gain Control					
Maximum Gain	G_{MAX}	-	20	-	dB
Minimum Gain	G_{MIN}	-	0	-	dB
Gain Increment	ΔG	-	78.4	117.6	mdB

DIGITAL CHARACTERISTICS: ($T_A=25^\circ\text{C}$; $V_{AA}=V_{DD}=5\text{V}$; Output Load=30pF)

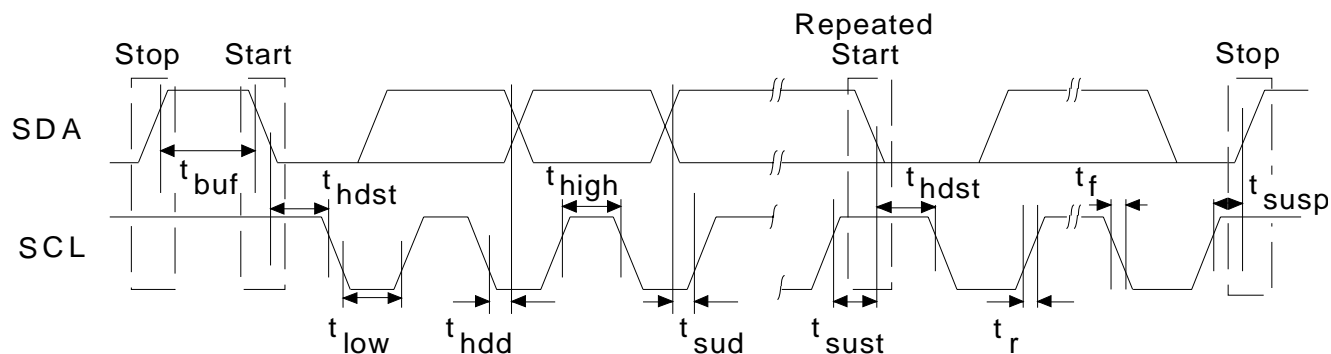
Parameter	Symbol	Min	Typ	Max	Units
Logic Inputs					
High-Level Input Voltage	V_{IH}	$V_{DD}-0.8$	-	-	V
Low-Level Input Voltage	V_{IL}	-	-	0.8	V
Input Leakage Current	I_{IN}	-	-	10	mA
Logic Outputs					
High-Level Output Source Current @ $V_{OH} = V_{DD}-0.4\text{V}$	I_{OH}	-	-	1	mA
Low-Level Output Sink Current @ $V_{OL} = 0.4\text{V}$	I_{OL}	-	-	1	mA
3-State Leakage Current	I_{OZ}	-	-	10	μA

POWER CONSUMPTION: ($T_A=25^\circ\text{C}$; $V_{AA}=V_{DD}=5\text{V}$; Output Load=30pF)

Parameter	Symbol	Min	Typ	Max	Units
Power Dissipation	P_D	-	650	-	mW
Analog Power Supply Current	Normal Mode	I_{AN}	-	99	mA
	Low-Power Mode	I_{ALP}	-	63	mA
Digital Power Supply Current	Normal Mode	I_{DN}	-	55	mA
	Low-Power Mode	I_{DLP}	-	22	mA

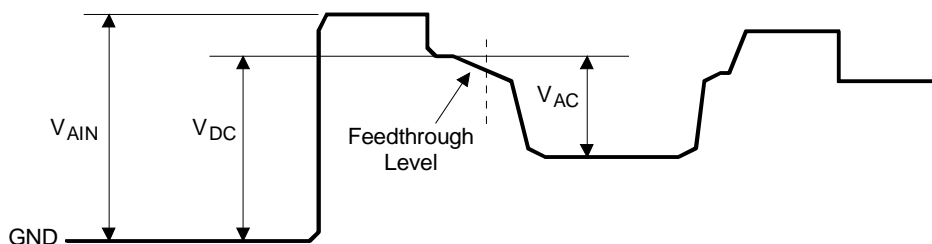
CONTROL PORT CHARACTERISTICS: ($T_A=25^\circ\text{C}$; $V_{AA}=V_{DD}=5\text{V}$; Output Load=30pF)

Parameter	Symbol	Min	Typ	Max	Units
SCL Clock Frequency	f_{SCL}	-	-	100	kHz
Bus Free Time Between Transmissions	t_{buf}	4.7	-	-	μs
Start Condition Hold Time	t_{hdst}	4.0	-	-	μs
Clock Pulse Width	High	t_{high}	-	-	μs
	Low	t_{low}	-	-	μs
Setup Time for Repeat Start Condition	t_{sust}	4.7	-	-	μs
SDAIN Hold Time from SCL Falling	t_{hdd}	0	-	-	μs
SDAIN Setup Time from SCL Rising	t_{sud}	0.25	-	-	μs
SDAIN and SCL Rise Time	t_r	-	-	1.0	μs
SDAIN and SCL Fall Time	t_f	-	-	0.3	μs
Setup Time for Stop Condition	t_{susp}	4.0	-	-	μs


Figure 1. I²C Timing Diagram

SWITCHING CHARACTERISTICS: ($T_A=25^\circ\text{C}$; $V_{SS}=V_{DD}=5\text{V}$; Output Load=30pF)

Parameter	Symbol	Min	Typ	Max	Units
Crystal Frequency Range	f_{CRY}	6.75		27	MHz
Crystal Oscillator Duty Cycle		40		60	%
CLKO Frequency	f_{pix}	6.75		13.5	MHz
CLK2XO Frequency	f_{dat}	13.5		27	MHz
CLKO duty cycle			50		%
CLK2XO duty cycle			50		%
CLK2XO falling edge to CLKO falling edge		4		8	ns
FR Clock (CCD reset gate clock) Duty Cycle			25		%
H1 Clock Duty Cycle			50		%
H2 Clock Duty Cycle			50		%

RECOMMENDED OPERATING CHARACTERISTICS:

Figure 2. Analog Input

Parameter	Symbol	Min	Typ	Max	Units
Power Supply Voltage	V_{AA}, V_{DD}	4.5	5.0	5.5	V
GNDA to GNDD Voltage Differential				10	mV
Crystal Frequency Range		6.75		27	MHz
Analog Input AC Range (Figure 2)	V_{AC}	0		1.65	V
Analog Input DC Offset (Figure 2)	V_{DC}		12		V
Analog Input Voltage (Figure 2)	A_{IN}	0		18	V

ABSOLUTE MAXIMUM RATINGS:

Parameter	Symbol	Min	Max	Units
Power Supply Voltage	V_{AA}, V_{DD}	-0.3	7.0	V
Digital Input Voltage		GNDD-0.3	$(V_{DD})+0.3$	V
Analog Input Voltage - AIN only	A_{IN}	GNDA-(0.3)	20	V
Input Current (except supply pins)			10	mA
Ambient Temperature Range		-0	+70	$^\circ\text{C}$
Lead Solder Temperature (10sec duration)			+260	$^\circ\text{C}$
Storage Temperature Range		-65	+150	$^\circ\text{C}$

Specifications are subject to change without notice.

GENERAL DESCRIPTION

Overview

The CS7615 performs the analog functions in a four chip digital CCD Camera. The four main chips include the CCD imager, the CS7615 CCD digitizer, the CS7665 or CS7666 color space processor, and a vertical drive interface-chip for the CCD imager. Several CCD imagers (and their associated vertical drivers) can be used with the CS7615 digitizer and the CS7665 or CS7666 processor to form a simple and cost-effective YCrCb output format digital camera. The block diagram in Figure 3 illustrates the system interconnect.

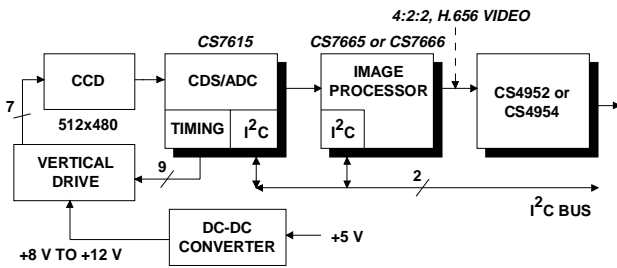


Figure 3. Typical 4-Chip Digital CCD Camera

Interfacing the CS7615 with CS7665 or CS7666

The CS7666 is a direct replacement for the CS7665. No board or software changes are needed for existing designs. However, slight changes to existing hardware and software are necessary to take advantage of the CS7666. See Figure 4 and 5 and the CS7666 data sheet for more details.

Operation

The CS7615 digitizer is designed to provide all necessary analog functions and conversion to digital data of a standard CCD imager output signal as well as provide all the timing and control signals for the CCD imager. The architecture includes a correlated double sampler, variable gain amplifier with an integrated AGC loop, black level clamp, 10-bit A/D converter, output formatter, and a complete multi-sync CCD timing generator. The output of the A/D converter ranges from code 004h to code 3FBh and the formatter adds special end-of-active-video (EAV) and start-of-active-video (SAV) codes to each line, making the output of the CS7615 similar to the description in the ITU-656 recommendation.

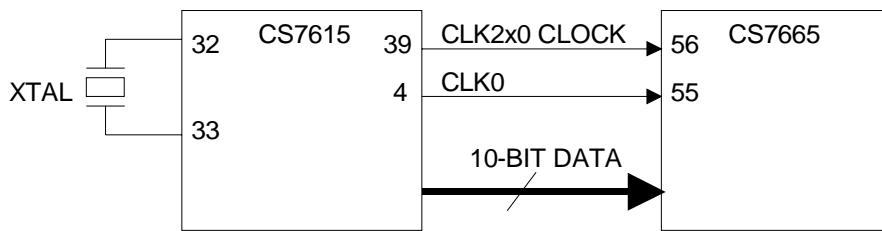


Figure 4. CS7615/CS7665 Interface

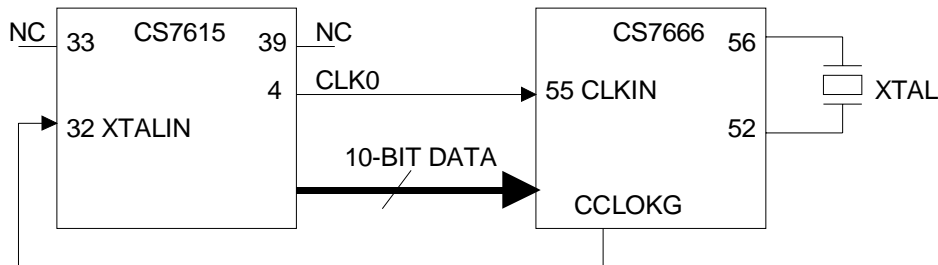
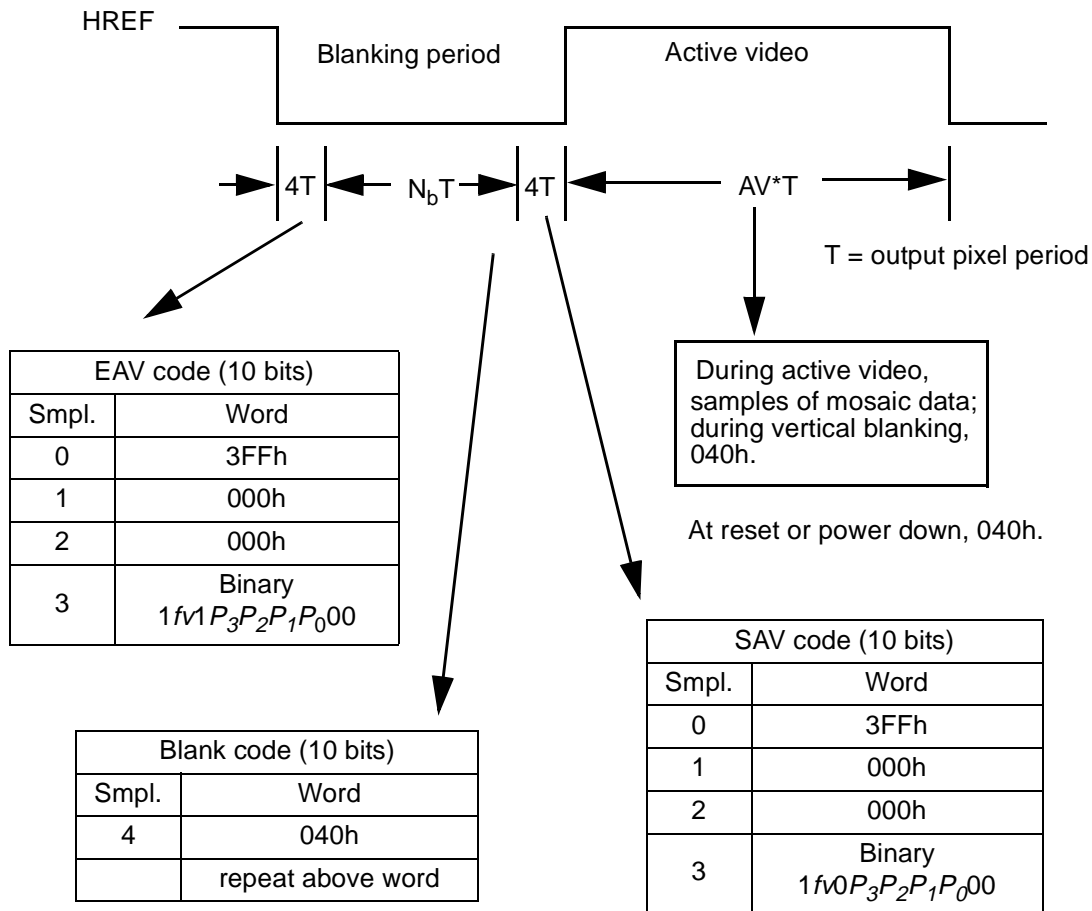


Figure 5. CS7615/CS7666 Interface

The EAV/SAV code definitions are consistent with an 8-bit data path. As per the ITU-656 recommendation, the LSB's of the CS7615 are fractional bits which are not used when delivering 8-bit output data. In 10-bit mode, all ten digital outputs can be connected directly to the CS7665.

The output data format from the CS7615 formatter is shown in Figure 6. The CS7615 also outputs two clocks, one at the pixel rate and the other at 2x the

output pixel data rate (see pin description for CLK2XO). The output of the formatter is available at the pins $D_{O[0..9]}$ and it transitions at the falling edge of the pixel rate clock CLKO. Figure 7 shows the basic output timing diagram. The falling edges of CLKO lag the falling edges of CLK2XO by 4 to 8 ns and both clocks have approximately 50% duty cycles.



f = field bit; 0 (odd field), 1 (even field)

υ = vertical blanking bit; 0 (active video lines), 1 (vertical blanking)

$P_3P_2P_1P_0$ = error protection bits (as per ITU-656).

Figure 6. CS7615 Output Data Format

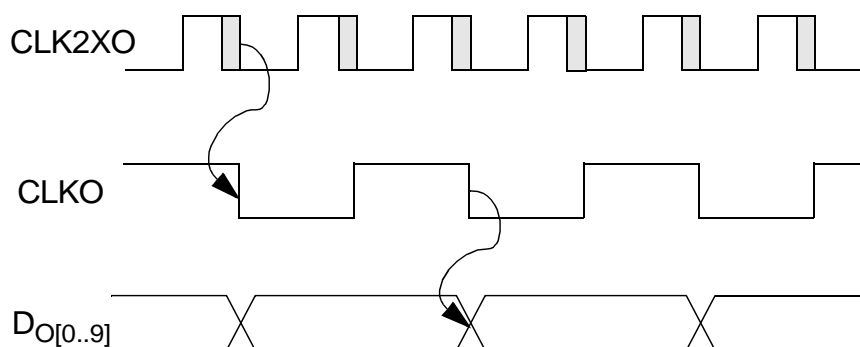


Figure 7. CS7615 Output Data and Clocks

CCD Timing Generator

The CCD timing and control signal outputs are dictated by the programmable register settings. This allows for compatibility with a variety of CCDs. The HSYNC signal is also output for use in a gen-lock configuration. The open-drain HCLK can be used to clock dc-dc voltage converters which are typically used to generate the CCD imager bias voltages. The following description explains the various output signals provided to the vertical driver and CCD as well as the programmable parameters that may be set to control these signals.

HREF* - horizontal reference signal. It stays high during the active video portion of the line.

HENB* - Horizontal shift register clock enable signal. Enables H1 and H2 out of analog timing.

CLAMP* - Black clamp signal provided to the ADC.

V1X, V2X, V3X, V4X - Vertical register shift clock. Used both during vertical transfer and charge read out.

VH1X, VH3X - CCD charge read out pulse.

HCLK - Signal used by the dc - dc converter. In the normal mode, it is the same as HREF; In fast mode, it operates at about 16× of the horizontal line frequency and is reset at the begin-

ning of HREF.

HSYNC - Horizontal sync signal.

OFDX - Overflow drain control clock. This signal sets the electronic shutter speed.

VRST - Vertical field reset signal.

VREF* - Vertical reference signal. It is high during the active video lines.

*Internal signal on the CS7615 - not a chip output.

Vertical Timing Specifications

The CCD array is read out alternately as odd and even fields with interlaced horizontal lines. Thus each field has half the total number of horizontal rows. Table 1 specifies the programmable vertical timings which are defined in Figure 8. The timings vary based on odd or even field, 525 or 625 line CCD, and the manufacturer.

Horizontal Timing Specifications

Each horizontal row of the CCD is divided into several regions corresponding to the type of pixels present. Different CCDs have different numbers of pixels in each region and the timing signals must take this into account. The different pixel types include optical black pixels (front and rear), dummy pixels, active video pixels, and blank video. The horizontal timing for the CCD is based on maintaining a fixed 63.5 μs horizontal line time.

Symbol	Description	Register
VLO	# of lines in odd field	33h, 39h
VLE	# of lines in even field	34h, 39h
VBO	End of VREF line #	36h, 39h
XSO	Charge transfer line #	38h, 39h
VBE	End of VREF line #	35h, 39h
XSE	Charge transfer line #	37h, 39h

Table 1. CCD vertical timing specifications

Table 2 specifies all of the programmable timing parameters related to horizontal timing signals. These parameters are defined in Figure 9.

Figure 9 shows the timings for HREF, HSYNC, CLAMP, and HENB. Their relationship to different kinds of pixels on each horizontal row output from the CCD is also shown. The waveforms for these signals are repeated on every line. The horizontal shift register clocks, H1 and H2, operate at the CLKO frequency and are active throughout the horizontal line period except when HENB is high.

Figure 10 shows the timings for the V1X through V4X signals. The specified waveforms repeat on every horizontal line except during the charge transfer line. During this line the CCD charge is read out and the timing is different as shown in Figure 11. In addition signals VH1X and VH3X are also required during charge read out as shown in Figure 12.

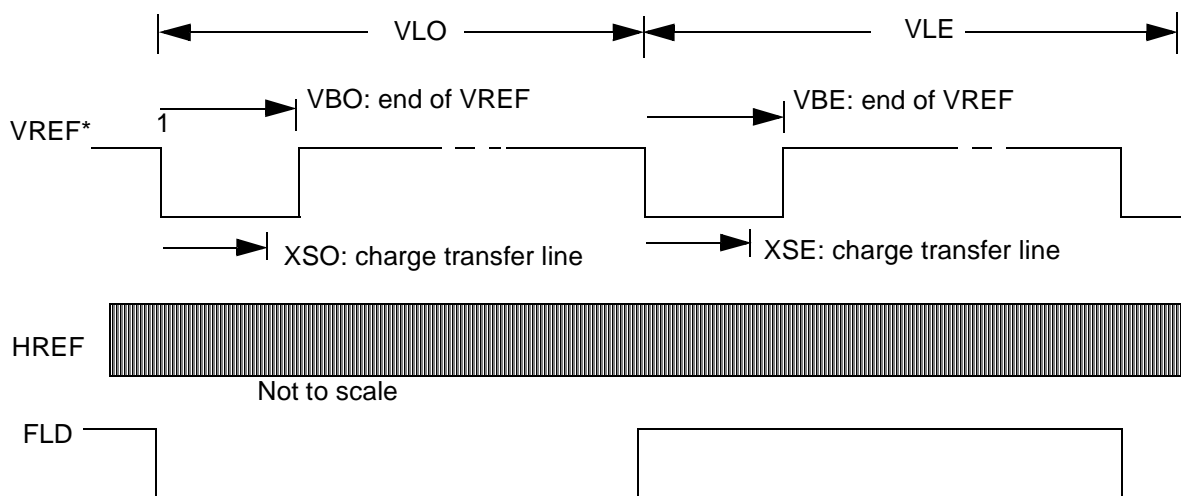
The overflow drain control signal is shown in Figure 13. The OFDX signal is used to control the electronic shutter timing of the CCD. Shutter timing for various settings of the shutter control is described in the register section of this document.

Description of Operation

The internal operation of the CS7615 can be separated into several distinct blocks. The following section provides an overview of how these blocks operate and interact.

Automatic Gain Control

The pixel data entering the CS7615 from the CCD is scaled as determined by the automatic gain control loop. By properly applying gain to the signal, the full range of the A/D converter is used. The in-


Figure 8. Vertical Timing Signals -Internal to CS7615

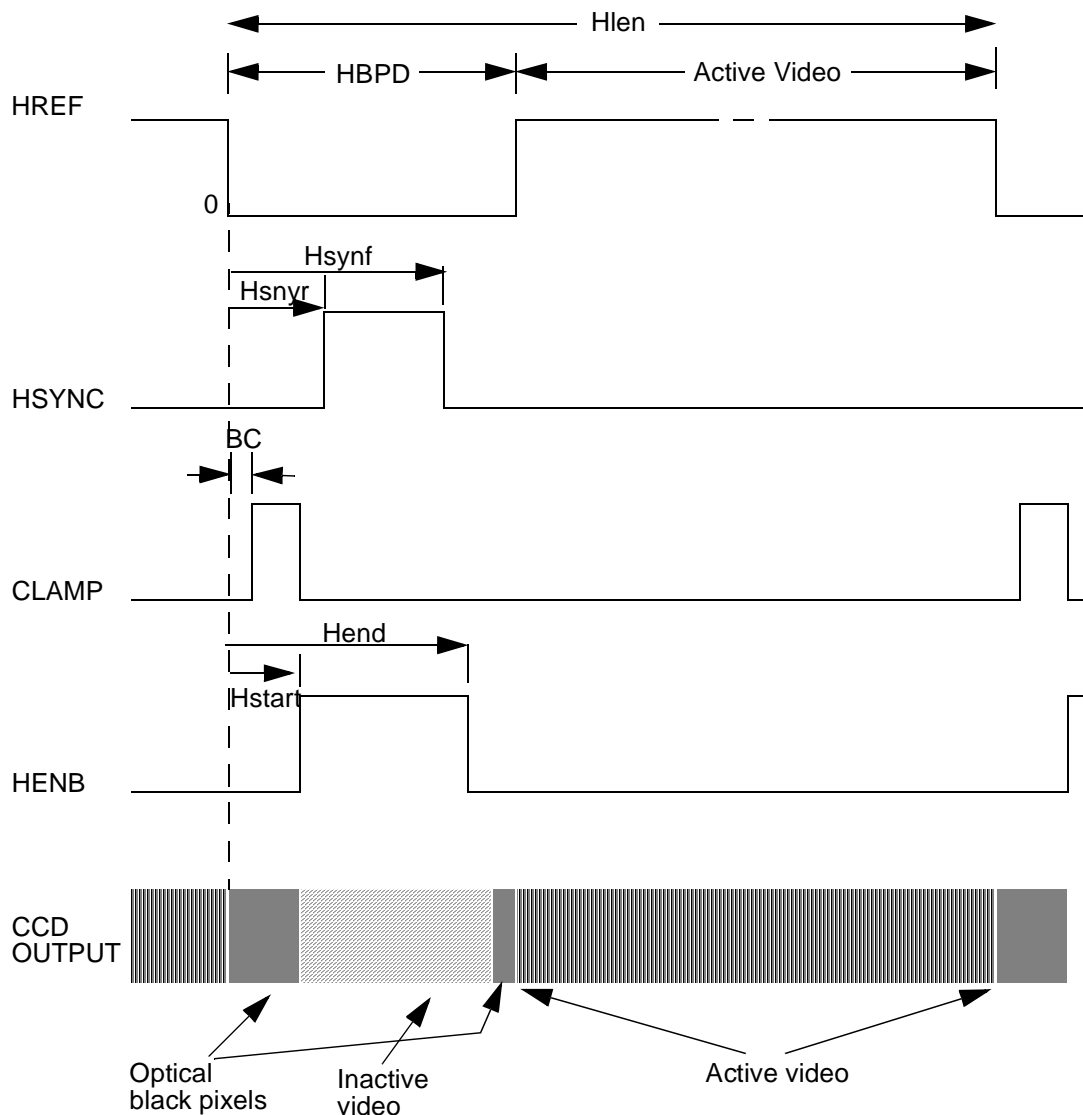


Figure 9. Timing Diagram for Href, HSYNC, Clamp, and Henb

ternal analog gain range is 38 dB in steps of 0.078 dB ideal. Adjustments made in these small steps should cause no noticeable brightness change in the image from frame to frame. In addition to the internal analog gain, the control loop will vary the shutter speed through the OFDX output from 0 to -54 dB as it deems necessary.

The AGC algorithm uses a luma or mosaic histogramming technique in which the brightness of each pixel is binned into one of seven bins. The

number of pixels in a bin will produce an error signal that is then used to update the gain. The following parameters control the loop dynamics and are programmable to meet the needs of the user.

PAL bit: Selects a PAL or NTSC camera system.

AGC Window: Adjusts what portion of the frame is used for the AGC algorithm.

Luma/Mosaic: Selects whether luma or mosaic data are used in the histogramming.

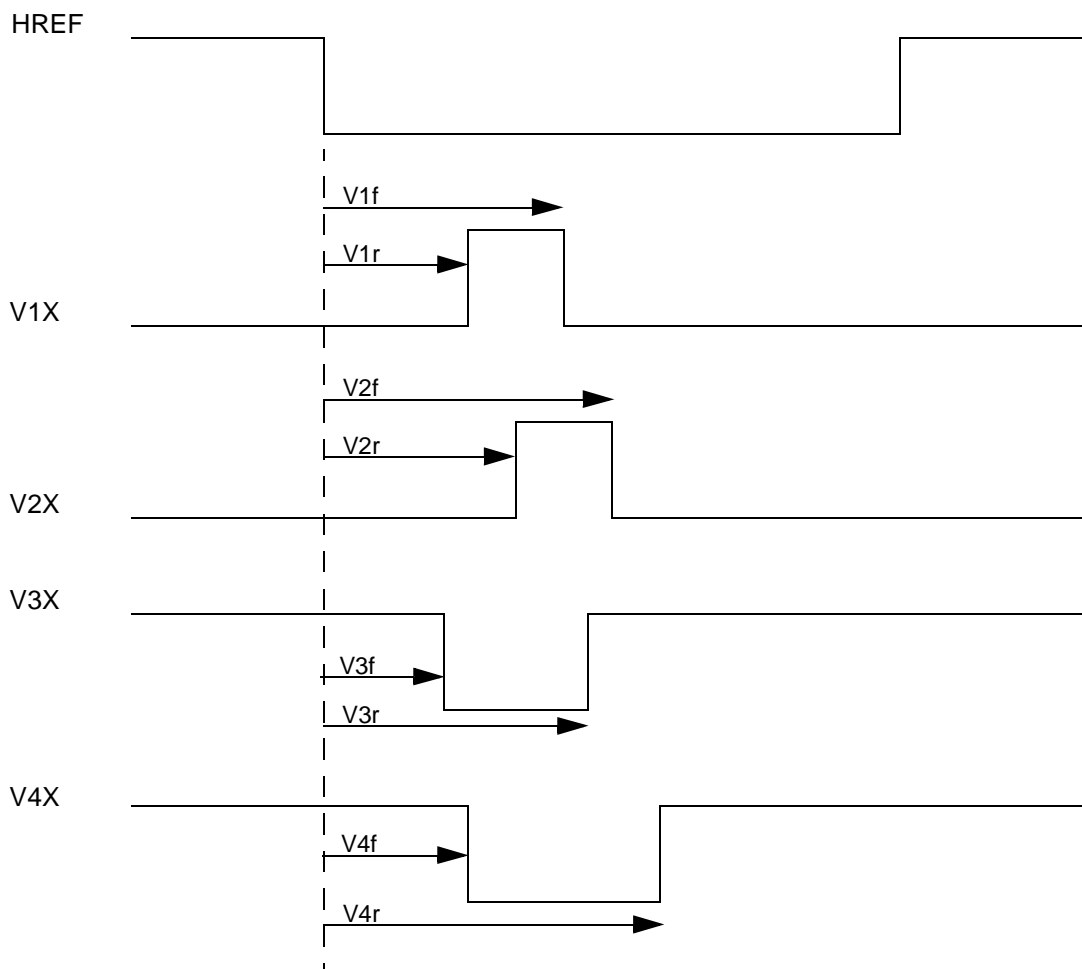


Figure 10. Vertical Shift Register Signal Timings

Flickerless Mode: Restricts the shutter speed to only flickerless values for the given system and environment. If the scene is too bright, the AGC loop will select exposure settings shorter than the flickerless modes.

PAL Environment: Selects PAL or NTSC environment.

Target Value: Adjusts the brightness threshold. A lower target results in the loop settling to a lower gain.

Max Gain: Sets a maximum gain value that will not be exceeded even if the target brightness has not been met.

Slew: Controls the rate of decay of the gain as

the AGC loop slews because of light intensity variation.

Speed: Controls the overall loop gain and thus speed of gain correction.

Min Gain: Sets the minimum on-chip gain allowed. This value should be used if the saturation voltage is less than 1.6V.

Correlated Double Sampling (CDS)

Correlated Double Sampling, as applied to CCD-based imaging systems, is a method used to remove low-frequency noise from the output of a CCD imager leaving only the signal of interest. The CDS is applied prior to amplification by the VGA.

Note: line #s shown here are for 525 line systems

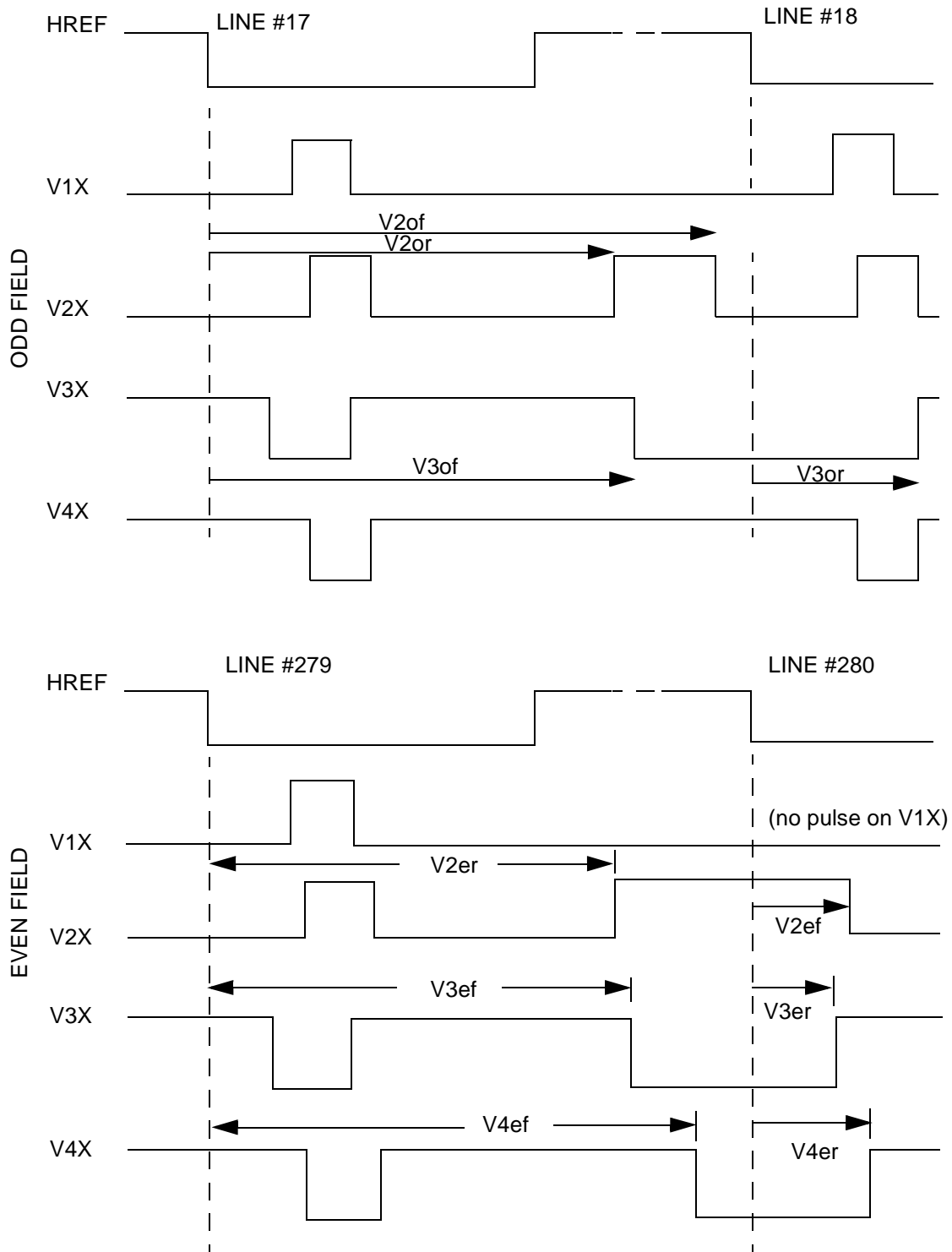


Figure 11. Vertical Shift Register Signal Timings for Charge Read Out Phase

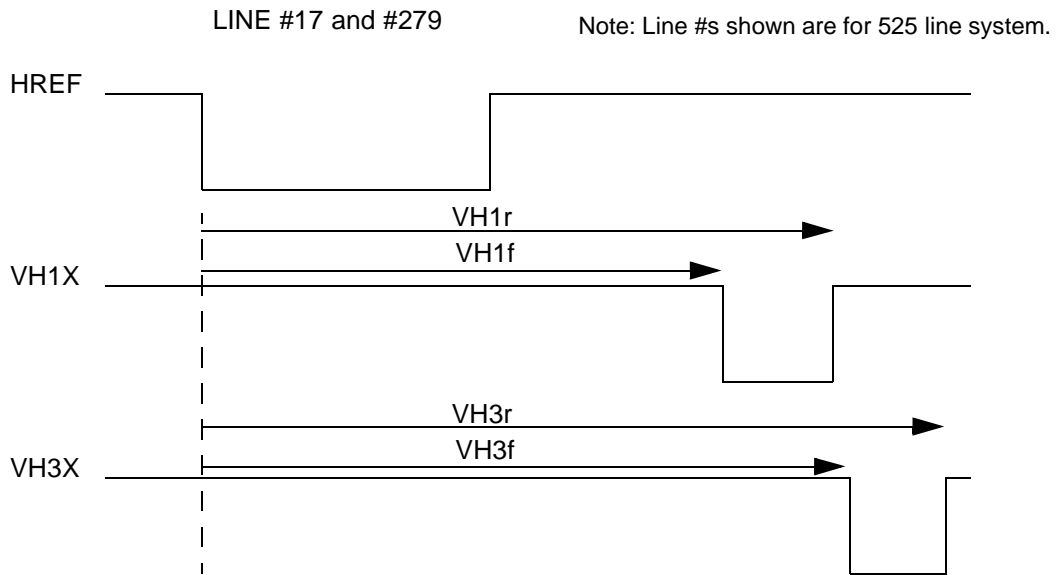


Figure 12. Charge Read Out Signal Timing

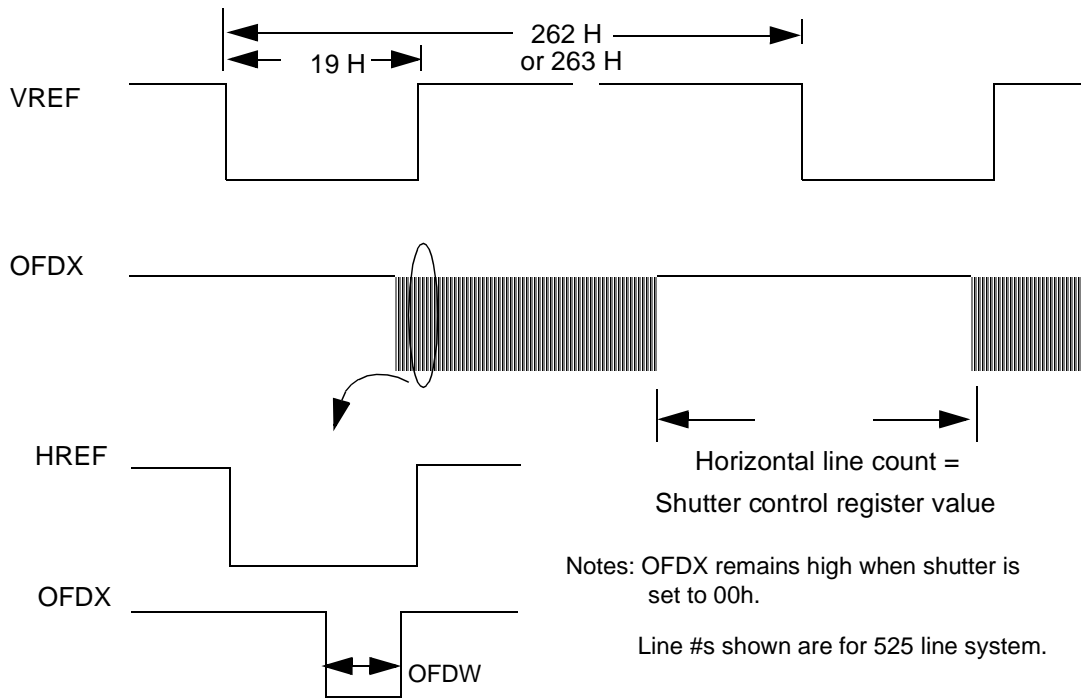


Figure 13. Electronic Shutter Control Signal Timing

Symbol	Description	Register
HBPd	Horizontal blanking period	40h
Hlen	Total number of horizontal pixels	41h, 42h
Hsynr	HREF to HSYNC leading edge	43h
Hsynf	HREF to HSYNC trailing edge	44h
BC	HREF to CLAMP leading edge (clamp trailing edge at H _{end})	45h
H _{end}	HREF to HENB leading edge	46h
Hstart	H _z . clock disable period	47h
V1r	V1 clock leading edge	48h
V1f	V1 clock trailing edge	47h
V2r	V2 clock leading edge	4Ah
V2f	V2 clock trailing edge	4Bh
V3f	V3 clock leading edge	4Ch
V3r	V3 clock trailing edge	4Dh
V4f	V4 clock leading edge	4Eh
V4r	V4 clock trailing edge	4Fh
V2or	V2 _{odd} clock leading edge	50h, 52h
V2of	V2 _{odd} clock trailing edge	51h, 52h
V3of	V3 _{odd} clock leading edge	53h, 55h
V3or	V3 _{odd} clock trailing edge	54h
V2er	V2 _{even} clock leading edge	56h, 58h
V2ef	V2 _{even} clock trailing edge	57h
V3ef	V3 _{even} clock leading edge	59h, 5Bh
V3er	V3 _{even} clock trailing edge	5Ah
V4ef	V4 _{even} clock leading edge	5Ch, 5Eh
V4er	V4 _{even} clock trailing edge	5Dh
VH1f	Charge read clock leading edge	5Fh, 61h
VH1r	Charge read clock trailing edge	60h, 61h
VH3f	Charge rd clock leading edge	62h, 64h
VH3r	Charge rd clock trailing edge	63h, 64h
OFDW	OFDW pulse width	65h

Table 2. Horizontal timing specifications

Analog to Digital Converter

After the pixel data is double sampled and the appropriate gain has been applied, it is digitized by the internal 10-bit A/D converter. These resulting mosaic data are input to the formatter which formats the data before sending it to the chip output. The output of the A/D converter is also used by the internal AGC loop in determining the proper gain setting, and by the black level adjust when reading the black pixels.

Black Level Adjust to Code 16 (10-bit Code 64)

The output data are adjusted to hold the image black level at the 8-bit code of 16, in compliance to the ITU-601 recommendation. During the blanking periods, the black level adjustment is updated when over black pixels. The number of black pixels used

is programmable by the user through the I²C interface.

Formatter

The formatter adds the necessary EAV/SAV timing codes to the output data in accordance with the ITU-656 recommendation.

Schematic & Layout Review Service

Confirm Optimum
Schematic & Layout
Before Building Your Board.

For Our Free Review Service
Call Applications Engineering.



Call : (5 1 2) 4 4 5 - 7 2 2 2

SERIAL CONTROL BUS

The serial control bus protocol is an 8-bit protocol controlled receiver. To the receiver, the control bus looks like an 8-bit bi-directional channel down which short packets are sent or received. Each source device appears to the receiver as a set of 8-bit registers, which are addressable to a device through a station address. Packets are used to write and read the contents of these device registers.

There are three packet formats: WRITE format, ADDRESS SET format, and READ format. Each packet is addressed to a device by its station address. The LSB of the station address is the data direction bit. This bit is set LOW in the WRITE and ADDRESS SET packets, and it is set HIGH for READ packets. The receiver can read and write to non-existent registers within the selected device. WRITE operations will have no effect; READ operations will return a value of 00h.

Station Address

The CS7615 rev A default station address is A8h for writes and A9h for reads. Subsequent versions of the CS7615, starting with rev B, will use a default station address of 68h for writes and 69h for reads.

The station address can be changed by writing a new base station address to internal I²C register FEh. Note that the station address register describes only the 7 MSBs of the CS7615 station address. The base write address will need to be right shifted by one place before being written into the FEh register.

Write Operations

The WRITE format consists of a three-byte packet. The first byte is the station address with the data direction bit set LOW to indicate a write. The second byte is the device register address (0..255). The

third byte is the register data (0..255). No extra bytes should be sent.

Byte Sequence	WRITE Format Packet Detail
First Byte	Station Address with LSB Set LOW
Second Byte	Device Register Address (0..255)
Third Byte	Register Data (0..255)

Table 3. WRITE Format Packet

Address Set Operation

The ADDRESS SET format consists of a two-byte packet which sets the address of a subsequent READ operation. The first byte of the station Address with the LSB (data direction bit) set LOW to indicate a write operation. The second byte is the register address (0..255). The ADDRESS SET format is the same as the WRITE format, without the register data.

Byte Sequence	ADDRESS SET format Packet Details
First Byte	Station Address with LSB Set LOW
Second Byte	Device Register Address (0..255)

Table 4. ADDRESS SET Format Packet Operation

Read Operations

The READ operation consist of two or more bytes. The first byte is the station address with the LSB (data direction bit) set HIGH indicating a read operation. The addressed device then sends one or more bytes back from the register last addressed by the previous WRITE operation, or ADDRESS SET operation.

Byte Sequence	READ Format Packet Details
First Byte	Station Address with LSB set HIGH; Source Device then Returns One Byte of Register Data (0..255)
Second Byte	Returned data from CS7615

Table 5. READ Format Packet.

REGISTER DESCRIPTIONS
Software Reset Register (00h)

7	6	5	4	3	2	1	0
res	res	res	SR4	res	res	res	res
r	r	r	w	r	r	r	r

SR4 Setting bit SR4 to logic high will initiate a CS7615 software reset. Software reset resets all the digital blocks except for I²C and the ADC calibration logic. The clocks remain running. This reset bit automatically clears.

Low Power Register (20h)

7	6	5	4	3	2	1	0
res	res	res	PD4	res	res	res	res
r	r	r	r/w	r	r	r	r

PD4 Setting bit PD4 to logic high will place the CS7615 chip in a low power mode. The I²C interface and clock generation circuitry will remain powered up.

Operational control #1 Register (24h)

7	6	5	4	3	2	1	0
PAL	AGCW1	AGCW2	AGCDIS	AGCCALG	CCDTYP	FLCKLS	PALENV
r/w	r/w	r/w	r/w	r/w	r/w	r/w	r/w

PAL Logic high indicates a PAL standard camera system, logic low indicates NTSC. Default = 0.

AGCW Used to window the portion of the frame to use for AGC. Default = 00.
 00 = use entire frame
 01 = use center 1/4 area of frame
 10 = use center 1/16 area of frame
 11 = reserved

AGCDI Logic high disables CS7615's automatic gain control circuitry. User may manually control gain through the gain register 25h/26h. Default = 0.

AGCALG Controls data used in CS7615's AGC loop. Logic high indicates mosaic data, logic low indicates luma data. Default = 0.

CCDTYP Logic high signifies that a Type B CCD is being used, logic low signifies a Type A CCD. Default = 0.

FLCKLS Logic high restricts shutter to flickerless settings. Default = 0.

PALENV Logic high when the camera system is being used in a PAL environment, logic low in an NTSC environment. Default = 0.

R/W Read/Write

R Read

W Write

RES Reserved

Gain Registers (25-26h)
25h:

7	6	5	4	3	2	1	0
AGC10	AGC9	AGC8	AGC7	AGC6	AGC5	AGC4	AGC3
r/w	r/w	r/w	r/w	r/w	r/w	r/w	r/w

26h:

7	6	5	4	3	2	1	0
res	res	res	res	res	AGC2	AGC1	AGC0
r	r	r	r	r	r/w	r/w	r/w

AGC(10:0) Gain control word for the automatic gain control. This 11 bit word is a 2's compliment number which has a minimum value of -784 (decimal) (Reg 26h = 04h; Reg 25h = 5F0h) for PAL or -765d for NTSC (Reg 26h = 05h; Reg 25h = 03) and a maximum value of 484d (Reg 26h = 01h; Reg 25h = E4h). The gain range is -54 dB to 38 dB in steps of 0.078 dB ideal, 0.12 dB max step is guaranteed only for chip GAIN. Default is 000h.

AGC Error Statistic Register (27h):

7	6	5	4	3	2	1	0
agcer7	agcer6	agcer5	agcer4	agcer3	agcer2	agcer1	agcer0
r	r	r	r	r	r	r	r

AGCER The 8 MSBs of the gain error statistic calculated as part of the AGC loop.

AGC Count Statistic Register (28h)

7	6	5	4	3	2	1	0
res	agcct6	agcct5	agcct4	agcct3	agcct2	agcct1	agcct0
r	r	r	r	r	r	r	r

AGCCT The output of the 1-of-7 block which denotes the bin where the AGC target was met.

AGC Target Value Register (29h)

7	6	5	4	3	2	1	0
res	res	res	res	res	agctg2	agctg1	agctg0
r	r	r	r	r	r/w	r/w	r/w

AGCTG The target value used in the AGC loop. It denotes the number of pixels that must be exceeded for an intensity bin to give an output of '1'. Default is 0h.

000=64	100=1024
001=128	101=2048
010=256	110=4096
011=512	111=8192

AGC Maximum Gain Register (2Ah)

7	6	5	4	3	2	1	0
mgn7	mgn6	mgn5	mgn4	mgn3	mgn2	mgn1	mgn0
r/w	r/w	r/w	r/w	r/w	r/w	r/w	r/w

MGN Sets the maximum gain allowable if the user chooses to limit the chip gain beyond a certain value. The range is 0-242, with the actual max gain word being twice this value. Default is F2h.

AGC Slew and Speed Register (2Bh)

7	6	5	4	3	2	1	0
res	res	res	res	slew1	slew0	spd1	spd0
r	r	r	r	r/w	r/w	r/w	r/w

SLEW Sets the rate of decay of gain when the gain target is exceeded in the maximum intensity bin. Default is 0h.
 00 = -8 10 = -32
 01 = -16 11 = -64

SPD Varies the AGC loop gain. The error signal used for correction is multiplied by the speed number before being added to the accumulator. Default is 0h.
 00 = 1x 10 = 4x
 01 = 2x 11 = 8x

AGC Minimum Gain Register (2Ch)

7	6	5	4	3	2	1	0
mng7	mng6	mng5	mng4	mng3	mng2	mng1	mng0
r/w	r/w	r/w	r/w	r/w	r/w	r/w	r/w

MNGN Sets the minimum gain allowable if the user chooses to limit the chip gain from a certain value. Default is 00h.

CCD Signal Alignment Register (2Dh)

7	6	5	4	3	2	1	0
HR1	HR0	HF1	HF0	FRR1	FRR0	FRF1	FRF0
r/w	r/w	r/w	r/w	r/w	r/w	r/w	r/w

These signals adjust the edges of H1 or FR with respect to the internal sampling clock.

- HR** Adjusts the location of the rising edge of H1.
- HF** Adjusts the location of the falling edge of H1.
- FRR** Adjusts the location of the rising edge of FR.
- FRF** Adjusts the location of the falling edge of FR.

VRST Registers (2Eh, 2Fh)
2Eh:

7	6	5	4	3	2	1	0
VRSTN8	VRSTN7	VRSTN6	VRSTN5	VRSTN4	VRSTN3	VRSTN2	VRSTN1
r/w	r/w	r/w	r/w	r/w	r/w	r/w	r/w

2Fh:

7	6	5	4	3	2	1	0
res	res	res	res	res	VRSTDY	VRSTFLD	VRSTN0
r	r	r	r	r	r/w	r/w	r/w

These parameters are needed only when the VRST input is used.

- VRSTN** The line number gets reset to this value on a negative edge of VRST. Default is 004h.
- VRSTDY** Logic high denotes VRST will be delayed with respect to the line position. Default = 0 (no delay).
- VRSTFLD** Logic high denotes the field is reset to even on a negative edge of VRST, logic low denotes the field is reset to odd. Default = 0.

Maximum Shutter Exposure Register (30h)

7	6	5	4	3	2	1	0
MSXH7	MSXH6	MSXH5	MSXH4	MSXH3	MSXH2	MSXH1	MSXH0
r/w	r/w	r/w	r/w	r/w	r/w	r/w	r/w

- MXSH** If the user chooses to limit the exposure time, the max shutter gain is set to this value. 00h=full exposure, BFh=min exposure for NTSC, C4h= min exposure for PAL.

Operational Control #2 Register (31h)

7	6	5	4	3	2	1	0
res	res	res	res	BLKDIS	ADCAL1	ADCAL2	CNVFST
r	r	r	r	r/w	r/w	r/w	r/w

- BLKDIS** Logic high disables the black level loop. Black level remains at the current value. Default =0.
- ADCAL1** Analog-to-digital converter option. When written to a logic high, calibration is immediately entered. This bit goes back low when calibration is complete.
- ADCAL2** Analog-to-digital converter option. Logic high results in calibration being done after every frame, logic low results in calibration only on power up. Default = 0.
- CNVFST** Logic high sets the frequency of HCLK to 16xthe line frequency, logic low sets HCLK to 1xthe line frequency. Default = 0.

Timing Control- Line Number Registers (33h-39h)
33h:

7	6	5	4	3	2	1	0
VLO8	VLO7	VLO6	VLO5	VLO4	VLO3	VLO2	VLO1
r/w	r/w	r/w	r/w	r/w	r/w	r/w	r/w

34h:

7	6	5	4	3	2	1	0
VLE8	VLE7	VLE6	VLE5	VLE4	VLE3	VLE2	VLE1
r/w	r/w	r/w	r/w	r/w	r/w	r/w	r/w

35h:

7	6	5	4	3	2	1	0
VBE8	VBE7	VBE6	VBE5	VBE4	VBE3	VBE2	VBE1
r/w	r/w	r/w	r/w	r/w	r/w	r/w	r/w

36h:

7	6	5	4	3	2	1	0
VBO8	VBO7	VBO6	VBO5	VBO4	VBO3	VBO2	VBO1
r/w	r/w	r/w	r/w	r/w	r/w	r/w	r/w

37h:

7	6	5	4	3	2	1	0
XSE8	XSE7	XSE6	XSE5	XSE4	XSE3	XSE2	XSE1
r/w	r/w	r/w	r/w	r/w	r/w	r/w	r/w

38h:

7	6	5	4	3	2	1	0
XSO8	XSO7	XSO6	XSO5	XSO4	XSO3	XSO2	XSO1
r/w	r/w	r/w	r/w	r/w	r/w	r/w	r/w

39h:

7	6	5	4	3	2	1	0
res	res	VLO0	VLE0	VBE0	VBO0	XSE0	XSO0
r	r	r/w	r/w	r/w	r/w	r/w	r/w

VLO The number of lines in an odd field. Default is 106h.

VLE The number of lines in an even field. Default is 107h.

VBE Line number for end of VREF for even field. Default is 013h.

VBO Line number for end of VREF for odd field. Default is 012h.

XSE Line number for charge transfer for even field. Default is 011h.

XSO Line number for charge transfer for odd field. Default is 010h.

Timing Control-Horizontal Blank Pd Register (40h)

7	6	5	4	3	2	1	0
HBPDP7	HBPDP6	HBPDP5	HBPDP4	HBPDP3	HBPDP2	HBPDP1	HBPDP0
r/w	r/w	r/w	r/w	r/w	r/w	r/w	r/w

HBPDP Number of pixel clocks in the horizontal blank period. Default is 70h.

Timing Control- Line Length Register (41h-42h)

41h:

7	6	5	4	3	2	1	0
HLEN9	HLEN8	HLEN7	HLEN6	HLEN5	HLEN4	HLEN3	HLEN2
r/w	r/w	r/w	r/w	r/w	r/w	r/w	r/w

42h:

7	6	5	4	3	2	1	0
res	res	res	res	res	res	HLEN1	HLEN0
r	r	r	r	r	r	r/w	r/w

HLEN Total number of pixels in line length. Default is 270h.

Timing Control- HSYNC Registers (43h-44h)

43h:

7	6	5	4	3	2	1	0
HSYNR7	HSYNR6	HSYNR5	HSYNR4	HSYNR3	HSYNR2	HSYNR1	HSYNR0
r/w	r/w	r/w	r/w	r/w	r/w	r/w	r/w

44h:

7	6	5	4	3	2	1	0
HSYNF7	HSYNF6	HSYNF5	HSYNF4	HSYNF3	HSYNF2	HSYNF1	HSYNF0
r/w	r/w	r/w	r/w	r/w	r/w	r/w	r/w

HSYNR Number of pixels from HREF to leading edge of HSYNC. Default is 14h.

HSYNF Number of pixels from HREF to trailing edge of HSYNC. Default is 44h.

Timing Control - Black Clamp Register (45h)

7	6	5	4	3	2	1	0
BC7	BC6	BC5	BC4	BC3	BC2	BC1	BC0
r/w	r/w	r/w	r/w	r/w	r/w	r/w	r/w

BC Number of pixels from HREF to leading edge of black clamp. Default is 08h. Black clamp falls on leading edge of HENB.

Timing Control - HENB Registers (46h-47h)
46h:

7	6	5	4	3	2	1	0
HEND7	HEND6	HEND5	HEND4	HEND3	HEND2	HEND1	HEND0
r/w	r/w	r/w	r/w	r/w	r/w	r/w	r/w

47h:

7	6	5	4	3	2	1	0
HSTART7	HSTART6	HSTART5	HSTART4	HSTART3	HSTART2	HSTART1	HSTART0
r/w	r/w	r/w	r/w	r/w	r/w	r/w	r/w

HEND Number of pixels from HREF to leading edge of HENB. Default is 1Ch.

HSTART Number of pixels from HREF to trailing edge of HENB. Default is 68h.

Timing Control - V1X Registers (48h-49h)
48h:

7	6	5	4	3	2	1	0
V1R7	V1R6	V1R5	V1R4	V1R3	V1R2	V1R1	V1R0
r/w	r/w	r/w	r/w	r/w	r/w	r/w	r/w

49h:

7	6	5	4	3	2	1	0
V1F7	V1F6	V1F5	V1F4	V1F3	V1F2	V1F1	V1F0
r/w	r/w	r/w	r/w	r/w	r/w	r/w	r/w

V1X is a vertical register shift clock.

V1R Number of pixels from HREF to leading edge of V1X. Default is 22h.

V1F Number of pixels from HREF to trailing edge of V1X. Default is 36h.

Timing Control - V2X Registers (4Ah-4Bh)
4Ah:

7	6	5	4	3	2	1	0
V2R7	V2R6	V2R5	V2R4	V2R3	V2R2	V2R1	V2R0
r/w	r/w	r/w	r/w	r/w	r/w	r/w	r/w

4Bh:

7	6	5	4	3	2	1	0
V2F7	V2F6	V2F5	V2F4	V2F3	V2F2	V2F1	V2F0
r/w	r/w	r/w	r/w	r/w	r/w	r/w	r/w

V2X is a vertical register shift clock.

V2R Number of pixels from HREF to leading edge of V2X. Default is 2Ch.

V2F Number of pixels from HREF to trailing edge of V2X. Default is 40h.

Timing Control - V3X Registers (4Ch-4Dh)
4Ch:

7	6	5	4	3	2	1	0
V3F7	V3F6	V3F5	V3F4	V3F3	V3F2	V3F1	V3F0
r/w	r/w	r/w	r/w	r/w	r/w	r/w	r/w

4Dh:

7	6	5	4	3	2	1	0
V3R7	V3R6	V3R5	V3R4	V3R3	V3R2	V3R1	V3R0
r/w	r/w	r/w	r/w	r/w	r/w	r/w	r/w

V3X is a vertical register shift clock.

V3F Number of pixels from HREF to leading edge of V3X. Default is 1Dh.

V3R Number of pixels from HREF to trailing edge of V3X. Default is 3Bh.

Timing Control - V4X Registers (4Eh-4Fh):
4Eh:

7	6	5	4	3	2	1	0
V4F7	V4F6	V4F5	V4F4	V4F3	V4F2	V4F1	V4F0
r/w	r/w	r/w	r/w	r/w	r/w	r/w	r/w

4Fh:

7	6	5	4	3	2	1	0
V4R7	V4R6	V4R5	V4R4	V4R3	V4R2	V4R1	V4R0
r/w	r/w	r/w	r/w	r/w	r/w	r/w	r/w

V4X is a vertical register shift clock.

V4F Number of pixels from HREF to leading edge of V4X. Default is 29h.

V4R Number of pixels from HREF to trailing edge of V4X. Default is 45h.

Timing Control - Charge Read Out in Odd Field V2X Registers (50h-52h)
50h:

7	6	5	4	3	2	1	0
V2OR9	V2OR8	V2OR7	V2OR6	V2OR5	V2OR4	V2OR3	V2OR2
r/w	r/w	r/w	r/w	r/w	r/w	r/w	r/w

51h:

7	6	5	4	3	2	1	0
V2OF9	V2OF8	V2OF7	V2OF6	V2OF5	V2OF4	V2OF3	V2OF2
r/w	r/w	r/w	r/w	r/w	r/w	r/w	r/w

52h:

7	6	5	4	3	2	1	0
res	res	res	res	V2OF1	V2OF0	V2OR1	V2OR0
r	r	r	r	r/w	r/w	r/w	r/w

Charge readout timing for V2X in an odd field in number of pixels.

V2OR From HREF to leading edge of V2X. Default is 185h.

V2OF From HREF to trailing edge of V2X. Default is 1E9h.

Timing Control - Charge Read Out in Odd Field V3X Registers (53h-55h)
53h:

7	6	5	4	3	2	1	0
V3OF9	V3OF8	V3OF7	V3OF6	V3OF5	V3OF4	V3OF3	V3OF2
r/w	r/w	r/w	r/w	r/w	r/w	r/w	r/w

54h:

7	6	5	4	3	2	1	0
V3OR7	V3OR6	V3OR5	V3OR4	V3OR3	V3OR2	V3OR1	V3OR0
r/w	r/w	r/w	r/w	r/w	r/w	r/w	r/w

55h:

7	6	5	4	3	2	1	0
res	res	res	res	res	res	V3OF1	V3OF0
r	r	r	r	r	r	r/w	r/w

Charge readout timing for V3X in an odd field in number of pixels.

V3OF From HREF to leading edge of V3X. Default is 188h.

V3OR From HREF to trailing edge of V3X. Default is 3Bh.

Timing control - Charge Read Out in Even Field V2X Registers (56h-58h)
56h:

7	6	5	4	3	2	1	0
V2ER9	V2ER8	V2ER7	V2ER6	V2ER5	V2ER4	V2ER3	V2ER2
r/w	r/w	r/w	r/w	r/w	r/w	r/w	r/w

57h:

7	6	5	4	3	2	1	0
V2EF7	V2EF6	V2EF5	V2EF4	V2EF3	V2EF2	V2EF1	V2EF0
r/w	r/w	r/w	r/w	r/w	r/w	r/w	r/w

58h:

7	6	5	4	3	2	1	0
res	res	res	res	res	res	V2ER1	V2ER0
r	r	r	r	r	r	r/w	r/w

Charge readout timing for V2X in an even field in number of pixels.

V2ER From HREF to leading edge of V2X. Default is 185h.

V2EF From HREF to trailing edge of V2X. Default is 40h.

Timing Control - Charge Read Out in Even Field V3X Registers (59h-5Bh)
59h:

7	6	5	4	3	2	1	0
V3EF9	V3EF8	V3EF7	V3EF6	V3EF5	V3EF4	V3EF3	V3EF2
r/w	r/w	r/w	r/w	r/w	r/w	r/w	r/w

5Ah:

7	6	5	4	3	2	1	0
V3ER7	V3ER6	V3ER5	V3ER4	V3ER3	V3ER2	V3ER1	V3ER0
r/w	r/w	r/w	r/w	r/w	r/w	r/w	r/w

5Bh:

7	6	5	4	3	2	1	0
res	res	res	res	res	res	V3EF1	V3EF0
r	r	r	r	r	r	r/w	r/w

Charge readout timing for V3X in an even field in number of pixels.

V3EF From HREF to leading edge of V3X. Default is 188h.

V3ER From HREF to trailing edge of V3X. Default is 3Bh.

Timing Control - Charge Read Out in Even Field V4X Registers (5Ch-5Eh)
5Ch:

7	6	5	4	3	2	1	0
V4EF9	V4EF8	V4EF7	V4EF6	V4EF5	V4EF4	V4EF3	V4EF2
r/w	r/w	r/w	r/w	r/w	r/w	r/w	r/w

5Dh:

7	6	5	4	3	2	1	0
V4ER7	V4ER6	V4ER5	V4ER4	V4ER3	V4ER2	V4ER1	V4ER0
r/w	r/w	r/w	r/w	r/w	r/w	r/w	r/w

5Eh:

7	6	5	4	3	2	1	0
res	res	res	res	res	res	V4EF1	V4EF0
r	r	r	r	r	r	r/w	r/w

Charge readout timing for V4X in an even field in number of pixels.

V4EF From HREF to leading edge of V4X. Default is 1E9h.

V4ER From HREF to trailing edge of V4X. Default is 45h.

Timing Control - H1X Registers (5Fh-61h)
5Fh:

7	6	5	4	3	2	1	0
VH1F9	VH1F8	VH1F7	VH1F6	VH1F5	VH1F4	VH1F3	VH1F2
r/w	r/w	r/w	r/w	r/w	r/w	r/w	r/w

60h:

7	6	5	4	3	2	1	0
VH1R9	VH1R8	VH1R7	VH1R6	VH1R5	VH1R4	VH1R3	VH1R2
r/w	r/w	r/w	r/w	r/w	r/w	r/w	r/w

61h:

7	6	5	4	3	2	1	0
res	res	res	res	VH1R1	VH1R0	VH1F1	VH1F0
r	r	r	r	r/w	r/w	r/w	r/w

Charge read out timing for VH1X in number of pixels.

VH1F From HREF to leading edge of VH1X. Default is 18Fh.

VH1R From HREF to trailing edge of VH1X. Default is 1ADh.

Timing Control - VH1X Registers (62h-64h)
62h:

7	6	5	4	3	2	1	0
VH3F9	VH3F8	VH3F7	VH3F6	VH3F5	VH3F4	VH3F3	VH3F2
r/w	r/w	r/w	r/w	r/w	r/w	r/w	r/w

63h:

7	6	5	4	3	2	1	0
VH3R9	VH3R8	VH3R7	VH3R6	VH3R5	VH3R4	VH3R3	VH3R2
r/w	r/w	r/w	r/w	r/w	r/w	r/w	r/w

64h:

7	6	5	4	3	2	1	0
res	res	res	res	VH3R1	VH3R0	VH3F1	VH3F0
r	r	r	r	r/w	r/w	r/w	r/w

Charge read out timing for VH3X in number of pixels.

VH3F From HREF to leading edge of VH3X. Default is 1B7h.

VH3R From HREF to trailing edge of VH3X. Default is 1D5h.

Black Level Adjust Register (68h)

7	6	5	4	3	2	1	0
BLK7	BLK6	BLK5	BLK4	BLK3	BLK2	BLK1	BLK0
r/w	r/w	r/w	r/w	r/w	r/w	r/w	r/w

BLK Offset added to input of ADC so that the output of ADC during black pixels is code 64. 00h-FFh represents a voltage range of 0-186mV. Default is 8Fh. This register is automatically updated when black level adjust is enabled.

Version (Minor) Register (69h)

7	6	5	4	3	2	1	0
7	6	5	4	3	2	1	0
r	r	r	r	r	r	r	r

The minor version register in the CS7615 rev A is assigned the value 00h. The Rev B device is assigned the value 01h. With each minor version the value is increased by 1.

Version (Major) Register (6Ah)

7	6	5	4	3	2	1	0
7	6	5	4	3	2	1	0
r	r	r	r	r	r	r	r

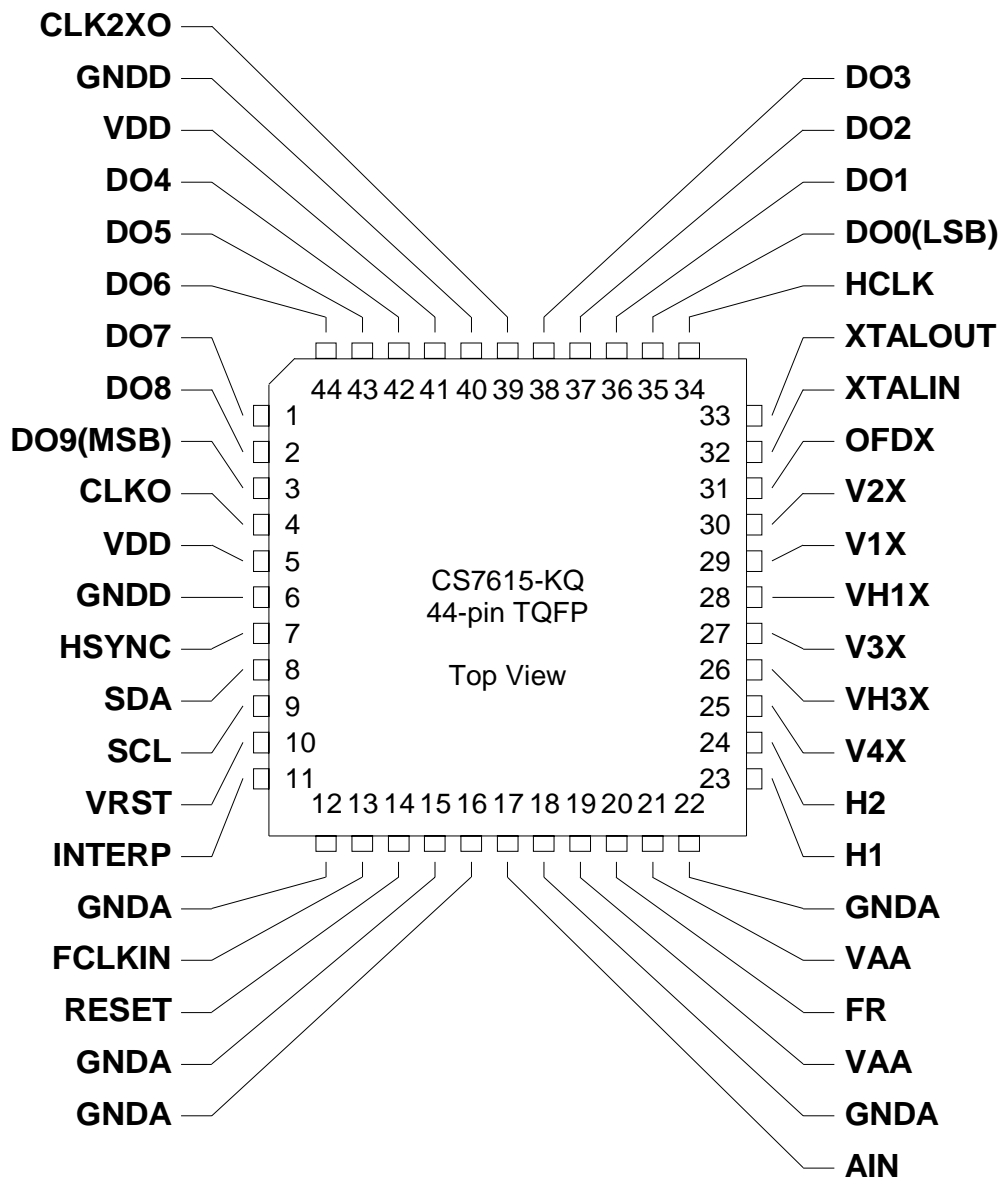
The major version register in the CS7615 rev A is assigned the value FFh. With each major version the value is decreased by 1.

Station Address Register (FEh)

7	6	5	4	3	2	1	0
res	STA6	STA5	STA4	STA3	STA2	STA1	STA0
r	r/w	r/w	r/w	r/w	r/w	r/w	r/w

STA CS7615's Station address, 7 MSBs (LSB of complete 8-bit station address determined by read/write bit).

PIN DESCRIPTIONS



Power Supply Connections

VAA - Analog power supply, PIN 19, 21.
Nominally +5 volts.

VDD - Digital power supply, PIN 5, 41.
Nominally +5 volts.

GNDA - Analog Ground, PIN 12, 15, 16, 18, 22.

Analog ground reference.

GNDD - Digital Ground, PIN 6, 40.

Digital ground reference.

*Analog Input***AIN - Video Input, PIN 17.**

CCD output signal.

*Digital Inputs***VRST - Vertical sync reset, PIN 10.**

Used to reset vertical line counter in genlock mode. VRST is falling edge triggered.

INTERP - Digital Video Horizontal Data Rate Scaler Enable, PIN 11.

Active high logic input sets CLKO output rate to 1× non-interpolated data rate, and the CLK2XO output rate to 2× interpolated data rate (5/2× CLKO rate). Logic low causes the CLKO output rate to be the pixel rate, while CLKX2O is set to twice the pixel rate.

FCLKIN - Frequency of crystal input, PIN 13.

Logic input identifying the external crystal as a 1× rate or a 2× rate crystal. This pin should be set high for a 1× crystal or clock source; logic low for a 2× crystal or clock source.

RESET - Master reset, PIN 14.

May be connected to external power-on-reset-circuit. Clears registers to default values. Active logic high.

XTALIN - Crystal input, PIN 32.

May be 1× or 2× the data rate.

XTALOUT - Oscillator output to crystal, PIN 33.

If the on-chip oscillator is used, this output connects to the crystal.

*Timing Generator Outputs***HSYNC - Horizontal sync signal, PIN 7.**

To be used in genlock mode. HSYNC is a rising pulse.

FR- Reset gate clock pulse for CCD, PIN 20.

Connect directly to CCD. FR is a rising pulse.

H1- Horizontal shift register clock #1, PIN 23.

Connect directly to CCD.

H2- Horizontal shift register clock #2, PIN 24.

Connect directly to CCD.

V4X- Vertical shift register clock, PIN 25.

Connects to vertical driver.

VH3X- Charge read out pulse, PIN 26.

Connect to vertical driver.

V3X- Vertical shift register clock, PIN 27.

Connects to vertical driver.

VH1X- Charge read out pulse, PIN 28.

Connect to vertical driver.

V1X- Vertical shift register clock, PIN 29.

Connects to vertical driver.

V2X- Vertical shift register clock, PIN 30.

Connects to vertical driver.

OFDX- Charge sweep out pulse for shutter control, PIN 31.

Connect to vertical driver. OFDX is a falling pulse.

HCLK- Horizontal line frequency clock, PIN 34.

Connect to DC-DC converter. HCLK is a falling pulse when it is in “HREF” output mode.

Mosaic Data and clock Outputs**D_O[0..9] - Digital Mosaic Outputs.**

CMOS level Mosaic coded CCD output data.

Pin Name	Pin Function	Pin Number
D _{O0} (LSB)	Digital Mosaic Output (LSB)	35
D _{O1}	Digital Mosaic Output	36
D _{O2}	Digital Mosaic Output	37
D _{O3}	Digital Mosaic Output	38
D _{O4}	Digital Mosaic Output	42
D _{O5}	Digital Mosaic Output	43
D _{O6}	Digital Mosaic Output	44
D _{O7}	Digital Mosaic Output	1
D _{O8}	Digital Mosaic Output	2
D _{O9} (MSB)	Digital Mosaic Output (MSB)	3

Table 6. Digital Mosaic Outputs.

CLKO - Mosaic Output Data Clock, PIN 4.

Main system output clock, used to strobe outgoing digital CCD mosaic data. Data transitions on the falling edge.

CLK2XO - Mosaic Output Data Interpolation Clock, PIN 39.

Mosaic output data interpolation clock. 2X the CLKO frequency in normal mode (non-interpolated output data... see INTERP description), and 2.5× the CLKO frequency when a 4:5 horizontal data rate scaler is used in the color processor.

I²C Serial Control

SDA - Primary I²C Data Bus, PIN 8.

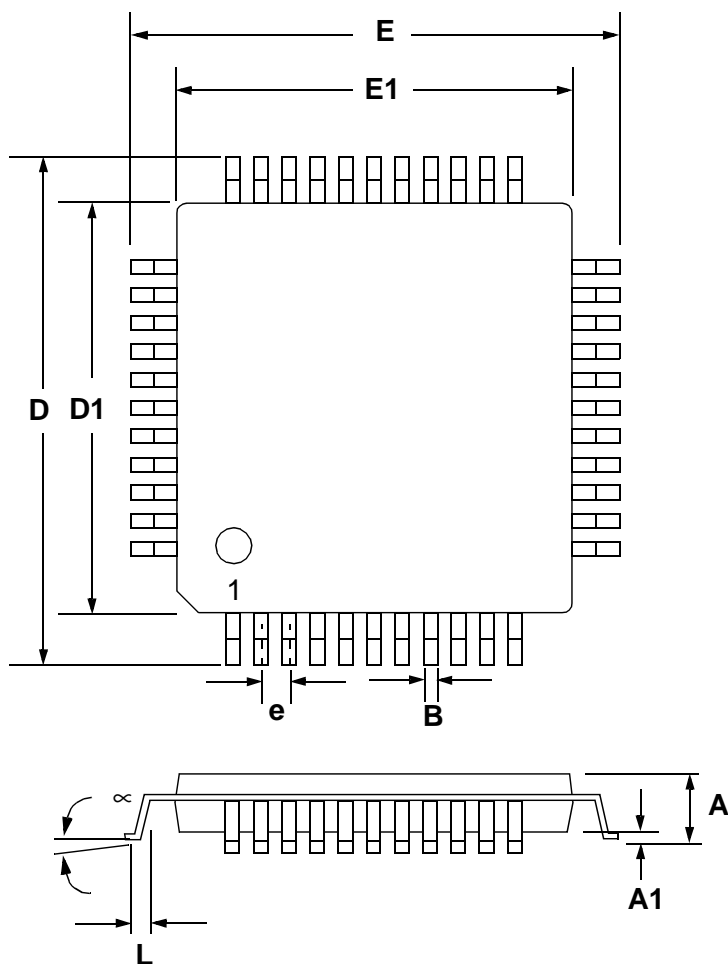
Primary I²C data bus. Used with SCL to read and write the internal register set.

SCL - Primary I²C Clock, PIN 9.

Primary I²C Clock. Used with SDA to read and write the internal register set.

PACKAGE DIMENSIONS

44L TQFP PACKAGE DRAWING



DIM	INCHES		MILLIMETERS	
	MIN	MAX	MIN	MAX
A	0.000	0.065	0.00	1.60
A1	0.002	0.006	0.05	0.15
B	0.012	0.018	0.30	0.45
D	0.478	0.502	11.70	12.30
D1	0.404	0.412	9.90	10.10
E	0.478	0.502	11.70	12.30
E1	0.404	0.412	9.90	10.10
e	0.029	0.037	0.70	0.90
L	0.018	0.030	0.45	0.75
∞	0.000	7.000	0.00	7.00

JEDEC # : MS-026

• Notes •

SMART
Analog™