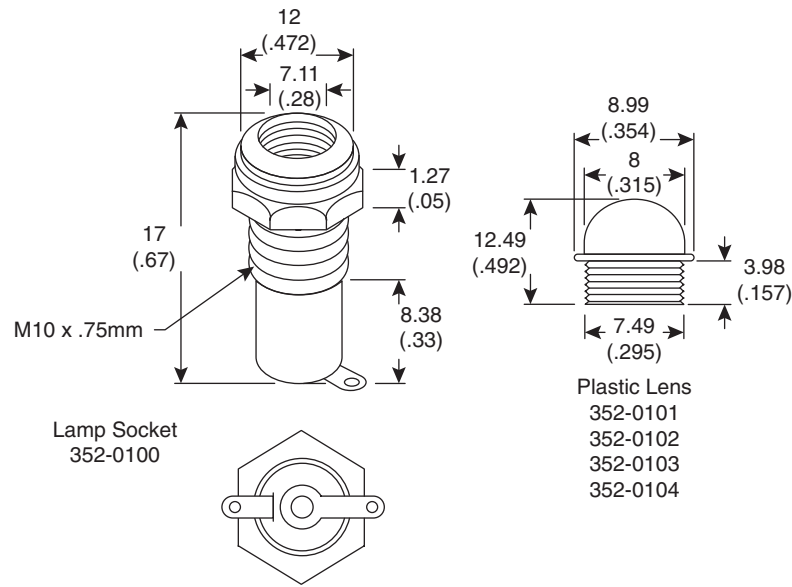




# Lamp Socket Lenses 352-0100, 352-0101, 352-0102, 352-0103, 352-0104



Dimensions: mm (in)

### Specifications:

- Type: T-1 3/4 insulated midget screw
- Insulation resistance: 100M $\Omega$  (min.) @ 500VDC
- Dielectric Strength: 1000VAC for 1 minute
- Thread size: 10mm
- Thread pitch: .75mm
- Lens material: acryl resin
- Lens color: red(352-0101), green(352-0102), clear(352-0103), orange(352-104)

