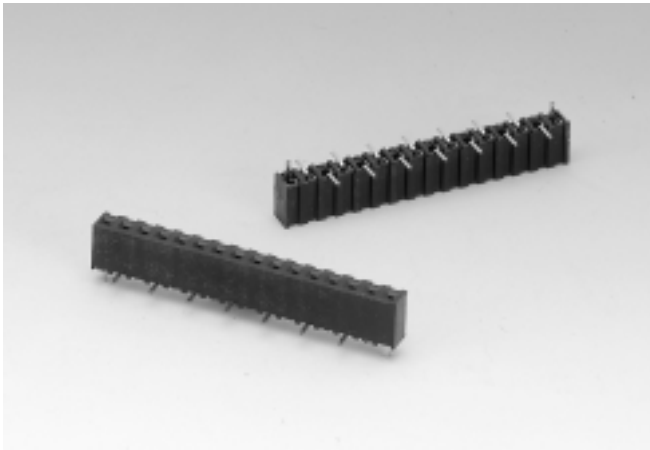


2.0mm PITCH SINGLE ROW SOCKET

VERTICAL SMD TYPE



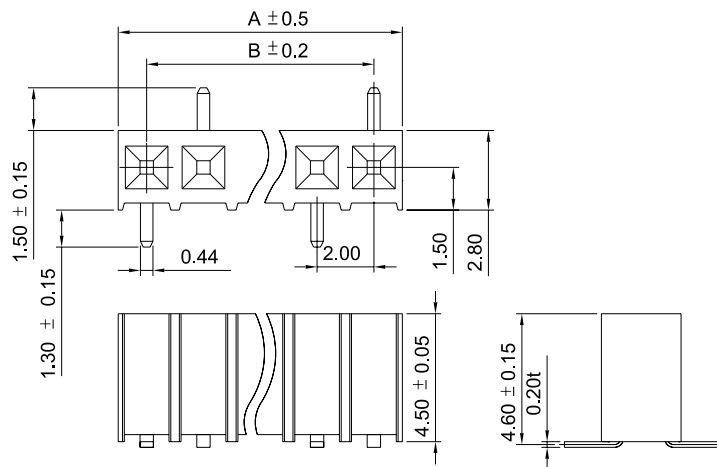
200129FS Series

Mates With SUYIN 200110, 200111 Series

Specifications:

- **2-40 Circuits** : Black High Temp. Plastic
- **Insulator Material** : -40°C to +105°C
- **Temp. Range** : Phosphor Bronze
- **Terminal Material** : Full Gold Plated
- **Plating** : 1.5A
- **Max. Current Rating** : 150V AC
- **Voltage Rating** : 500V (Min. 60 Seconds)
- **Dielectric Strength**

2.0
mm



Order Information

200129FS□□□□00ZU
1 2 3 4 5

1. 'S': Straight DIP Type
 2. No. of Pins
 3. Plating
 4. Color 'Z': Black
 5. Package
'U': Tube Package Without CAP
- Reference Page 11

Dimensional Information

SUYIN P/NO.	DIM.A	DIM.B	SUYIN P/NO.	DIM.A	DIM.B
200129FS002□□00ZU	4.0	2.0	200129FS022□□00ZU	44.0	42.0
200129FS003□□00ZU	6.0	4.0	200129FS023□□00ZU	46.0	44.0
200129FS004□□00ZU	8.0	6.0	200129FS024□□00ZU	48.0	46.0
200129FS005□□00ZU	10.0	8.0	200129FS025□□00ZU	50.0	48.0
200129FS006□□00ZU	12.0	10.0	200129FS026□□00ZU	52.0	50.0
200129FS007□□00ZU	14.0	12.0	200129FS027□□00ZU	54.0	52.0
200129FS008□□00ZU	16.0	14.0	200129FS028□□00ZU	56.0	54.0
200129FS009□□00ZU	18.0	16.0	200129FS029□□00ZU	58.0	56.0
200129FS010□□00ZU	20.0	18.0	200129FS030□□00ZU	60.0	58.0
200129FS011□□00ZU	22.0	20.0	200129FS031□□00ZU	62.0	60.0
200129FS012□□00ZU	24.0	22.0	200129FS032□□00ZU	64.0	62.0
200129FS013□□00ZU	26.0	24.0	200129FS033□□00ZU	66.0	64.0
200129FS014□□00ZU	28.0	26.0	200129FS034□□00ZU	68.0	66.0
200129FS015□□00ZU	30.0	28.0	200129FS035□□00ZU	70.0	68.0
200129FS016□□00ZU	32.0	30.0	200129FS036□□00ZU	72.0	70.0
200129FS017□□00ZU	34.0	32.0	200129FS037□□00ZU	74.0	72.0
200129FS018□□00ZU	36.0	34.0	200129FS038□□00ZU	76.0	74.0
200129FS019□□00ZU	38.0	36.0	200129FS039□□00ZU	78.0	76.0
200129FS020□□00ZU	40.0	38.0	200129FS010□□00ZU	80.0	78.0
200129FS021□□00ZU	42.0	40.0			

Recommended P.C.B Layout

