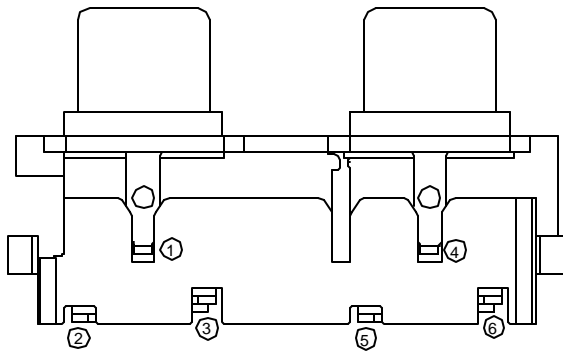
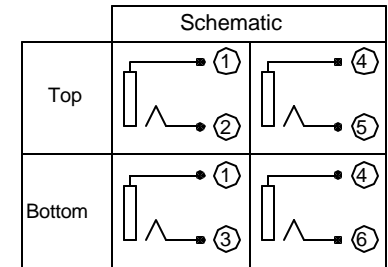
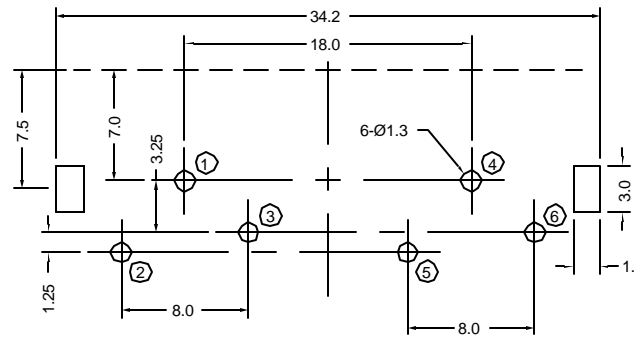


**Materials and Finish**

- Base: PBT UL 94V-0
- Cover: PBT UL 94V-0
- Color: Black
- Barrel: Brass
- Plating: Nickel Plated
- Terminals: Brass
- Plating: Tin Plated
- ground pin: Nickel Plated
- Operating Temp: -25°C to +70°C



Recommended PCB Layout (Bottom View)



**RoHS COMPLIANT**  
EU Directive 2002/95/EC



Tolerances  
X.X ± 0.25  
X.XX ± 0.15  
Unless Stated  
Otherwise

REV.	DATE	DESCRIPTION	REV. BY	CHK. BY	DRAWN BY	DATE
A1	6/27/05	New Drawing	N.Chang	C. Furumasu	N.Chang	6/27/05
A2	3/24/06	Release Drawing	H. MA	N/A		
A3	4/26/06	ECO#06-030	H. MA	C.Furumasu		

**KLP42X-61-YY/YY**

Stacked RCA Jack, RoHS Compliant

Right Angle PCB Mount, Yellow-Yellow over Yellow-Yellow

