

FEATURES

Monolithic 12-Bit 5 MSPS A/D Converter
Low Noise: 0.17 LSB RMS Referred to Input
No Missing Codes Guaranteed
Differential Nonlinearity Error: 0.5 LSB
Signal-to-Noise and Distortion Ratio: 68 dB
Spurious-Free Dynamic Range: 73 dB
Power Dissipation: 1.03 W
Complete: On-Chip Track-and-Hold Amplifier and Voltage Reference
Pin Compatible with the AD872
Twos Complement Binary Output Data
Out of Range Indicator
28-Lead Side Brazed Ceramic DIP or 44-Terminal Surface Mount Package

PRODUCT DESCRIPTION

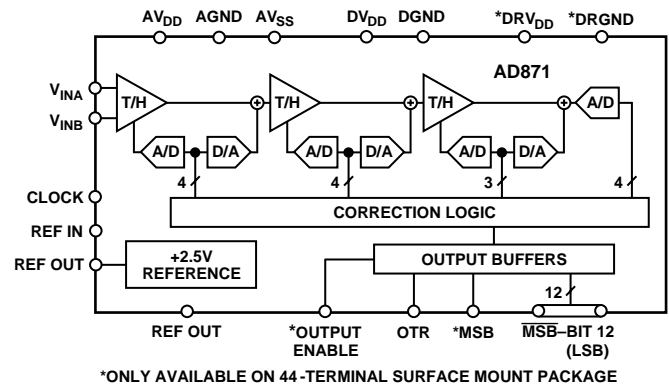
The AD871 is a monolithic 12-bit, 5 MSPS analog-to-digital converter with an on-chip, high performance track-and-hold amplifier and voltage reference. The AD871 uses a multistage differential pipelined architecture with error correction logic to provide 12-bit accuracy at 5 MSPS data rates and guarantees no missing codes over the full operating temperature range. The AD871 is a redesigned variation of the AD872 12-bit, 10 MSPS ADC, optimized for lower noise in applications requiring sampling rates of 5 MSPS or less. The AD871 is pin compatible with the AD872, allowing the parts to be used interchangeably as system requirements change.

The low-noise input track-and-hold (T/H) of the AD871 is ideally suited for high-end imaging applications. In addition, the T/H's high input impedance and fast settling characteristics allow the AD871 to easily interface with multiplexed systems that switch multiple signals through a single A/D converter. The dynamic performance of the input T/H also renders the AD871 suitable for sampling single channel inputs at frequencies up to and beyond the Nyquist rate. The AD871 provides both reference output and reference input pins, allowing the onboard reference to serve as a system reference. An external reference can also be chosen to suit the dc accuracy and temperature drift requirements of the application. A single clock input is used to control all internal conversion cycles. The digital output data is presented in twos complement binary output format. An out-of-range signal indicates an overflow condition, and can be used with the most significant bit to determine low or high overflow.

REV. A

Information furnished by Analog Devices is believed to be accurate and reliable. However, no responsibility is assumed by Analog Devices for its use, nor for any infringements of patents or other rights of third parties which may result from its use. No license is granted by implication or otherwise under any patent or patent rights of Analog Devices.

FUNCTIONAL BLOCK DIAGRAM



The AD871 is fabricated on Analog Devices' ABCMOS-1 process, which uses high speed bipolar and CMOS transistors on a single chip. High speed, precision analog circuits are now combined with high density logic circuits.

The AD871 is packaged in a 28-lead ceramic DIP and a 44-terminal leadless ceramic surface mount package and is specified for operation from 0°C to +70°C and -55°C to +125°C.

PRODUCT HIGHLIGHTS

The AD871 offers a complete single-chip sampling 12-bit, 5 MSPS analog-to-digital conversion function in a 28-lead DIP or 44-terminal leadless ceramic surface mount package (LCC).

Low Noise—The AD871 features 0.17 LSB referred-to-input noise, producing essentially a “1 code wide” histogram for a code-centered dc input.

Low Power—The AD871 at 1.03 W consumes a fraction of the power of presently available hybrids.

On-Chip Track-and-Hold (T/H)—The low noise, high impedance T/H input eliminates the need for external buffers and can be configured for single ended or differential inputs.

Ease of Use—The AD871 is complete with T/H and voltage reference and is pin-compatible with the AD872 (12-bit, 10 MSPS monolithic ADC).

Out of Range (OTR)—The OTR output bit indicates when the input signal is beyond the AD871's input range.

AD871—SPECIFICATIONS

DC SPECIFICATIONS (T_{MIN} to T_{MAX} with $AV_{DD} = +5$ V, $DV_{DD} = +5$ V, $DRV_{DD} = +5$ V, $AV_{SS} = -5$ V, $f_{SAMPLE} = 5$ MHz, unless otherwise noted)

Parameter	J Grade ¹	S Grade ¹	Units
RESOLUTION	12	12	Bits min
MAX CONVERSION RATE	5	5	MHz min
INPUT REFERRED NOISE	0.17	0.17	LSB rms typ
ACCURACY			
Integral Nonlinearity (INL)	±1.5	±1.5	LSB typ
Differential Nonlinearity (DNL)	±0.5	±0.5	LSB typ
No Missing Codes	12	12	Bits Guaranteed
Zero Error (@ +25°C) ²	±0.75	±0.75	% FSR max
Gain Error (@ +25°C) ²	±1.25	±1.25	% FSR max
TEMPERATURE DRIFT ³			
Zero Error	±0.15	±0.3	% FSR max
Gain Error ^{3, 4}	±0.80	±1.75	% FSR max
Gain Error ^{3, 5}	±0.25	±0.50	% FSR max
POWER SUPPLY REJECTION ⁶			
AV_{DD} , DV_{DD} (+5 V ± 0.25 V)	±0.125	±0.125	% FSR max
AV_{SS} (-5 V ± 0.25 V)	±0.125	±0.125	% FSR max
ANALOG INPUT			
Input Range	±1	±1	Volts max
Input Resistance	50	50	kΩ typ
Input Capacitance	10	10	pF typ
INTERNAL VOLTAGE REFERENCE			
Output Voltage	2.5	2.5	Volts typ
Output Voltage Tolerance	±20	±40	mV max
Output Current (Available for External Loads) (External load should not change during conversion.)	2.0	2.0	mA typ
REFERENCE INPUT RESISTANCE	5	5	kΩ typ
POWER SUPPLIES			
Supply Voltages			
AV_{DD}	+5	+5	V (±5% AV_{DD} Operating)
AV_{SS}	-5	-5	V (±5% AV_{SS} Operating)
DV_{DD}	+5	+5	V (±5% DV_{DD} Operating)
DRV_{DD} ⁷	+5	+5	V (±5% DRV_{DD} Operating)
Supply Current			
$I_{AV_{DD}}$	87	88	mA max (82 mA typ)
$I_{AV_{SS}}$	147	150	mA max (115 mA typ)
IDV_{DD}	20	21	mA max (7 mA typ)
$IDRV_{DD}$ ⁷	2	2	mA max
POWER CONSUMPTION	1.03	1.03	W typ
	1.25	1.3	W max

NOTES

¹Temperature ranges are as follows: J Grade: 0°C to +70°C, S Grade: -55°C to +125°C.

²Adjustable to zero with external potentiometers (see Zero and Gain Error Calibration section).

³+25°C to T_{MIN} and +25°C to T_{MAX} .

⁴Includes internal voltage reference error.

⁵Excludes internal reference drift.

⁶Change in Gain Error as a function of the dc supply voltage ($V_{NOMINAL}$ to V_{MIN} , $V_{NOMINAL}$ to V_{MAX}).

⁷LCC package only.

Specifications subject to change without notice.

AC SPECIFICATIONS (T_{MIN} to T_{MAX} with AV_{DD} = +5 V, DV_{DD} = +5 V, DRV_{DD} = +5 V, AV_{SS} = -5 V, f_{SAMPLE} = 5 MSPS, unless otherwise noted)¹

	J Grade	S Grade	Units
SIGNAL-TO-NOISE AND DISTORTION RATIO (S/N+D)			
f _{INPUT} = 750 kHz	68	68	dB typ
f _{INPUT} = 1 MHz	66	66	dB typ
	63	62	dB min
f _{INPUT} = 2.49 MHz	60	60	dB typ
TOTAL HARMONIC DISTORTION (THD)			
f _{INPUT} = 750 kHz	-72	-72	dB typ
f _{INPUT} = 1 MHz	-69	-69	dB typ
	-64	-63	dB max
f _{INPUT} = 2.49 MHz	-62	-62	dB typ
SPURIOUS FREE DYNAMIC RANGE (SFDR)			
f _{INPUT} = 750 kHz	73	73	dB typ
f _{INPUT} = 1 MHz	70	70	dB typ
f _{INPUT} = 2.49 MHz	62	62	dB typ
INTERMODULATION DISTORTION (IMD) ²			
Second Order Products	-80	-80	dB typ
Third Order Products	-73	-73	dB typ
FULL POWER BANDWIDTH	15	15	MHz typ
SMALL SIGNAL BANDWIDTH	15	15	MHz typ
APERTURE DELAY	6	6	ns typ
APERTURE JITTER	16	16	ps rms typ
ACQUISITION TO FULL-SCALE STEP	80	80	ns typ
OVERVOLTAGE RECOVERY TIME	80	80	ns typ

NOTES

¹f_{IN} amplitude = -0.5 dB full scale unless otherwise indicated. All measurements referred to a 0 dB (1 V pk) input signal unless otherwise indicated.

²f_a = 1.0 MHz, f_b = 0.95 MHz with f_{SAMPLE} = 5 MHz.

Specifications subject to change without notice.

DIGITAL SPECIFICATIONS (T_{MIN} to T_{MAX} with AV_{DD} = +5 V, DV_{DD} = +5 V, AV_{SS} = -5 V unless otherwise noted)

Parameter	Symbol	J, S Grades	Units
LOGIC INPUTS			
High Level Input Voltage	V _{IH}	+2.0	V min
Low Level Input Voltage	V _{IL}	+0.8	V max
High Level Input Current (V _{IN} = DV _{DD})	I _{IH}	±115	μA max
Low Level Input Current (V _{IN} = 0 V)	I _{IL}	±115	μA max
Input Capacitance	C _{IN}	5	pF typ
LOGIC OUTPUTS			
High Level Output Voltage (I _{OH} = 0.5 mA)	V _{OH}	+2.4	V min
Low Level Output Voltage (I _{OL} = 1.6 mA)	V _{OL}	+0.4	V max
Output Capacitance	C _{OUT}	5	pF typ
Leakage (Three-State, LCC Only)	I _Z	±10	μA max

Specifications subject to change without notice.

AD871

SWITCHING SPECIFICATIONS (T_{MIN} to T_{MAX} with $AV_{DD} = +5\text{ V}$, $DV_{DD} = +5\text{ V}$, $DRV_{DD} = +5\text{ V}$, $AV_{SS} = -5\text{ V}$; $V_{IL} = 0.8\text{ V}$, $V_{IH} = 2.0\text{ V}$, $V_{OL} = 0.4\text{ V}$ and $V_{OH} = 2.4\text{ V}$)

Parameter	Symbol	J, S Grades	Units
Clock Period ¹	t_C	200	ns min
CLOCK Pulsewidth High	t_{CH}	95	ns min
CLOCK Pulsewidth Low	t_{CL}	95	ns min
Clock Duty Cycle ²		40	% min (50% typ)
		60	% max
Output Delay	t_{OD}	10	ns min (20 ns typ)
Pipeline Delay (Latency)		3	Clock Cycles
Data Access Time (LCC Package Only) ³	t_{DD}	50	ns typ (100 pF Load)
Output Float Delay (LCC Package Only) ³	t_{HL}	50	ns typ (10 pF Load)

NOTES

¹Conversion rate is operational down to 10 kHz without degradation in specified performance.

²For clock periods of 200 ns or greater, see Clock Input section.

³See section on Three-State Outputs for timing diagrams and application information.

Specifications subject to change without notice.

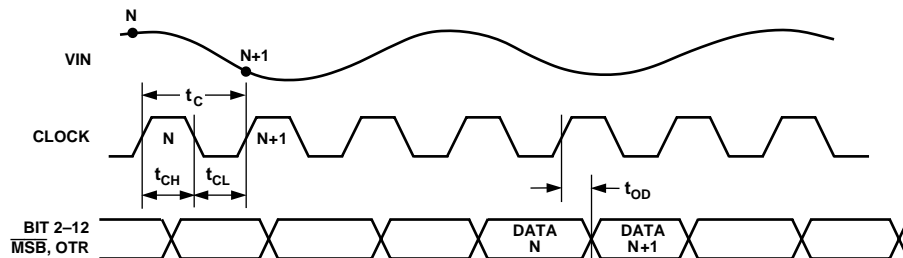


Figure 1. Timing Diagram

ABSOLUTE MAXIMUM RATINGS¹

Parameter	With Respect to	Min	Max	Units
AV_{DD}	AGND	-0.5	+6.5	Volts
AV_{SS}	AGND	-6.5	+0.5	Volts
DV_{DD} , DRV_{DD}	DGND, DRGND	-0.5	+6.5	Volts
DRV_{DD} ²	DV_{DD}	-6.5	+6.5	Volts
$DRGND$ ²	DGND	-0.3	+0.3	Volts
AGND	DGND	-1.0	+1.0	Volts
AV_{DD}	DV_{DD}	-6.5	+6.5	Volts
Clock Input, OEN	DGND	-0.5	$DV_{DD} + 0.5$	Volts
Digital Outputs	DGND	-0.5	$DV_{DD} + 0.3$	Volts
V_{INA} , V_{INB} , REF IN	AGND	-6.5	+6.5	Volts
REF IN	AGND	AV_{SS}	AV_{DD}	Volts
Junction Temperature			+150	°C
Storage Temperature		-65	+150	°C
Lead Temperature (10 sec)			+300	°C

NOTES

¹Stresses above those listed under Absolute Maximum Ratings may cause permanent damage to the device. This is a stress rating only; functional operation of the device at these or any other conditions above those indicated in the operational sections of this specification is not implied. Exposure to absolute maximum ratings for extended periods may affect device reliability.

²LCC Package Only.

CAUTION

ESD (electrostatic discharge) sensitive device. Electrostatic charges as high as 4000 V readily accumulate on the human body and test equipment and can discharge without detection. Although the AD871 features proprietary ESD protection circuitry, permanent damage may occur on devices subjected to high energy electrostatic discharges. Therefore, proper ESD precautions are recommended to avoid performance degradation or loss of functionality.



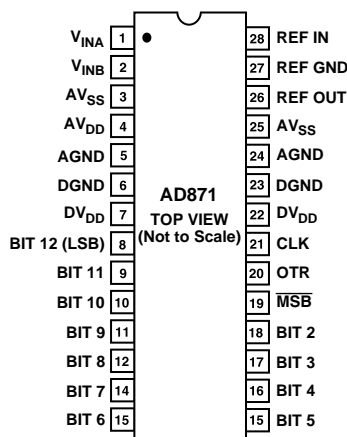
PIN FUNCTION DESCRIPTIONS

Symbol	DIP Pin No.	LCC Pin No.	Type	Name and Function
V _{INA}	1	1	AI	(+) Analog Input Signal on the differential input amplifier.
V _{INB}	2	2	AI	(-) Analog Input Signal on the differential input amplifier.
AV _{SS}	3, 25	5, 40	P	-5 V Analog Supply.
AV _{DD}	4	6, 38	P	+5 V Analog Supply.
AGND	5, 24	9, 36	P	Analog Ground.
DGND	6, 23	10	P	Digital Ground.
DV _{DD}	7, 22	33	P	+5 V Digital Supply.
BIT 12 (LSB)	8	16	DO	Least Significant Bit.
BIT 2–BIT 11	18–9	26–17	DO	Data Bits 2 through 11.
MSB	19	29	DO	Inverted Most Significant Bit. Provides twos complement output data format.
OTR	20	30	DO	Out of Range is Active HIGH on the leading edge of code 0 or the trailing edge of code 4096. See Output Data Format Table III.
CLK	21	31	DI	Clock Input. The AD871 will initiate a conversion on the rising edge of the clock input. See the Timing Diagram for details.
REF OUT	26	41	AO	+2.5 V Reference Output. Tie to REF IN for normal operation.
REF GND	27	42	AI	Reference Ground.
REF IN	28	43	AI	Reference Input. +2.5 V input gives ±1 V full-scale range.
BIT 1 (MSB)	N/A	27	DO	Most Significant Bit.
DRV _{DD}	N/A	12, 32	P	+5 V Digital Supply for the output drivers.
DRGND	N/A	11, 34	P	Digital Ground for the output drivers. (See section on Power Supply Decoupling for details on DRV _{DD} and DRGND.)
OEN	N/A	13	DI	Output Enable. See the Three State Output Timing Diagram for details.
NC	N/A	3, 4, 7, 8, 14, 15, 28, 35, 37, 39, 44		No Connect.

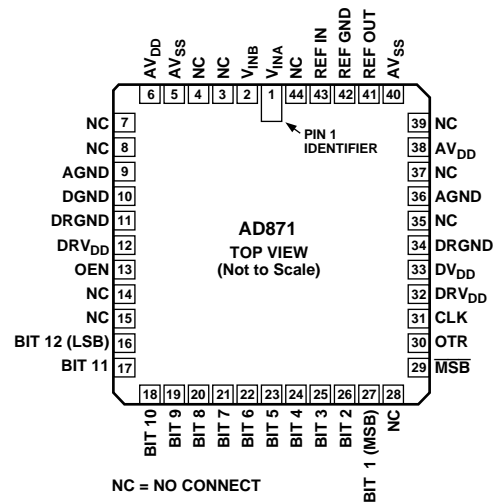
TYPE: AI = Analog Input; AO = Analog Output; DI = Digital Input; DO = Digital Output; P = Power; N/A = Not Available on 28-lead DIP, available only on 44-terminal surface mount package.

PIN CONFIGURATIONS

28-Lead Side Brazed Ceramic DIP



44-Terminal LCC



AD871

DEFINITIONS OF SPECIFICATIONS

LINEARITY ERROR

Linearity error refers to the deviation of each individual code from a line drawn from “negative full scale” through “positive full scale.” The point used as “negative full scale” occurs 1/2 LSB before the first code transition. “Positive full scale” is defined as a level 1 1/2 LSB beyond the last code transition. The deviation is measured from the middle of each particular code to the true straight line.

DIFFERENTIAL LINEARITY ERROR (DNL, NO MISSING CODES)

An ideal ADC exhibits code transitions that are exactly 1 LSB apart. DNL is the deviation from this ideal value. Guaranteed no missing codes to 12-bit resolution indicates that all 4096 codes must be present over all operating ranges.

ZERO ERROR

The major carry transition should occur for an analog value 1/2 LSB below analog common. Zero error is defined as the deviation of the actual transition from that point. The zero error and temperature drift specify the initial deviation and maximum change in the zero error over temperature.

GAIN ERROR

The first code transition should occur for an analog value 1/2 LSB above nominal negative full scale. The last transition should occur for an analog value 1 1/2 LSB below the nominal positive full scale. Gain error is the deviation of the actual difference between first and last code transitions and the ideal difference between first and last code transitions.

TEMPERATURE DRIFT

The temperature drift for zero error and gain error specifies the maximum change from the initial (25°C) value to the value at T_{MIN} or T_{MAX} .

POWER SUPPLY REJECTION

The specifications show the maximum change in the converter’s full-scale as the supplies are varied from nominal to min/max values.

APERTURE JITTER

Aperture jitter is the variation in aperture delay for successive samples and is manifested as noise on the input to the A/D.

APERTURE DELAY

Aperture delay is a measure of the Track-and-Hold Amplifier (THA) performance and is measured from the rising edge of the clock input to when the input signal is held for conversion.

OVERVOLTAGE RECOVERY TIME

Overvoltage recovery time is defined as that amount of time required for the ADC to achieve a specified accuracy after an overvoltage (50% greater than full-scale range), measured from the time the overvoltage signal reenters the converter’s range.

DYNAMIC SPECIFICATIONS

SIGNAL-TO-NOISE AND DISTORTION (S/N+D) RATIO

S/N+D is the ratio of the rms value of the measured input signal to the rms sum of all other spectral components below the Nyquist frequency, including harmonics but excluding dc. The value for S/N+D is expressed in decibels.

TOTAL HARMONIC DISTORTION (THD)

THD is the ratio of the rms sum of the first six harmonic components to the rms value of the measured input signal and is expressed as a percentage or in decibels.

INTERMODULATION DISTORTION (IMD)

With inputs consisting of sine waves at two frequencies, f_a and f_b , any device with nonlinearities will create distortion products, of order $(m + n)$, at sum and difference frequencies of $m f_a \pm n f_b$, where $m, n = 0, 1, 2, 3 \dots$. Intermodulation terms are those for which m or n is not equal to zero. For example, the second order terms are $(f_a + f_b)$ and $(f_a - f_b)$, and the third order terms are $(2 f_a + f_b)$, $(2 f_a - f_b)$, $(f_a + 2 f_b)$ and $(2 f_b - f_a)$. The IMD products are expressed as the decibel ratio of the rms sum of the measured input signals to the rms sum of the distortion terms. The two signals are of equal amplitude and the peak value of their sums is -0.5 dB from full scale. The IMD products are normalized to a 0 dB input signal.

FULL-POWER BANDWIDTH

The full-power bandwidth is that input frequency at which the amplitude of the reconstructed fundamental is reduced by 3 dB for a full-scale input.

SPURIOUS FREE DYNAMIC RANGE

The difference, in dB, between the rms amplitude of the input signal and the peak spurious signal.

ORDERING GUIDE

Model	Temperature Range	Package Option ¹
AD871JD	0°C to +70°C	D-28
AD871JE	0°C to +70°C	E-44A
AD871SD ²	-55°C to +125°C	D-28
AD871SE ²	-55°C to +125°C	E-44A

NOTES

¹D = Side Brazed Ceramic DIP, E = Leadless Ceramic Chip Carrier.

²MIL-STD-883 version will be available; contact factory.

Dynamic Characteristics—Sample Rate: 5 MSPS—AD871

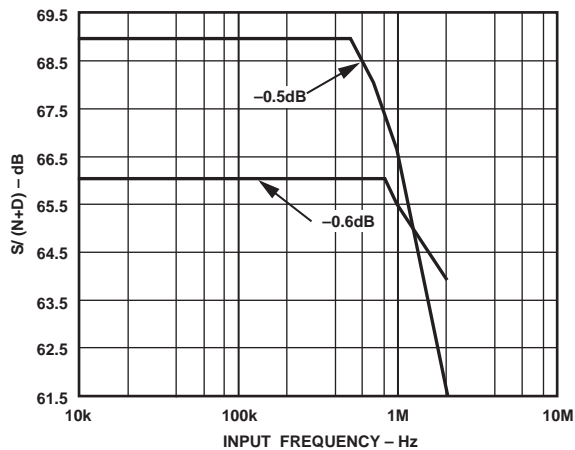


Figure 2. AD871 S/(N+D) vs. Input Frequency

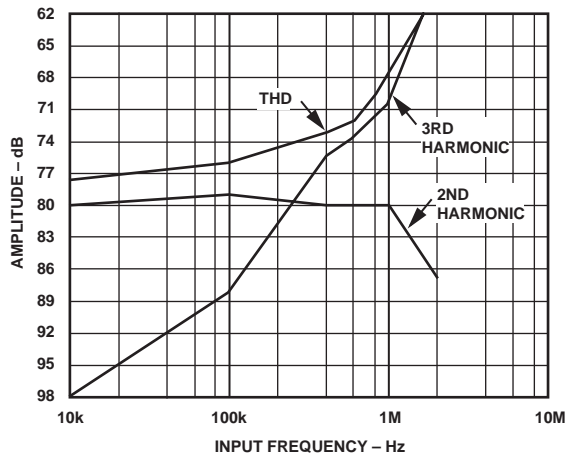


Figure 3. AD871 Distortion vs. Input Frequency, Full-Scale Input

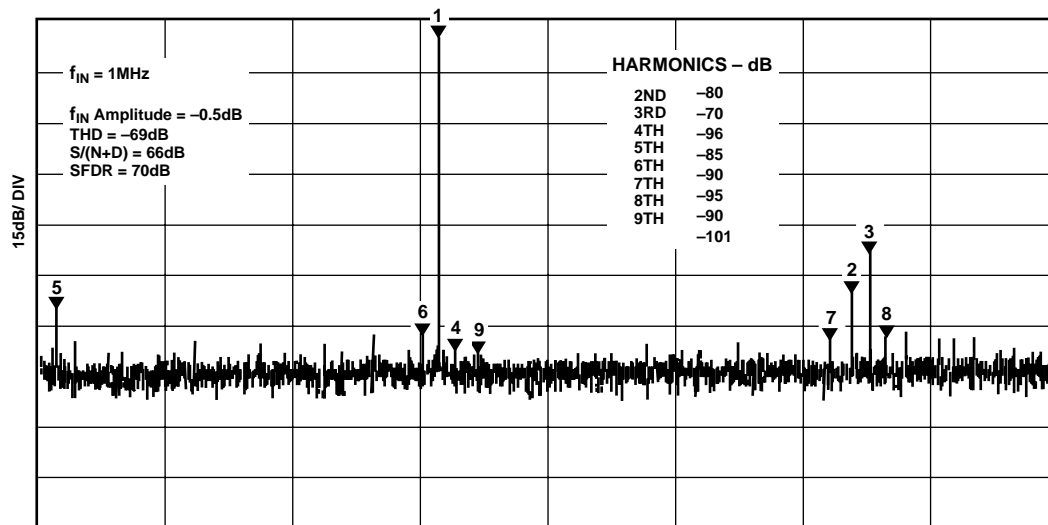


Figure 4. AD871 Typical FFT, $f_{IN} = 1$ MHz, f_{IN} Amplitude = -0.5 dB

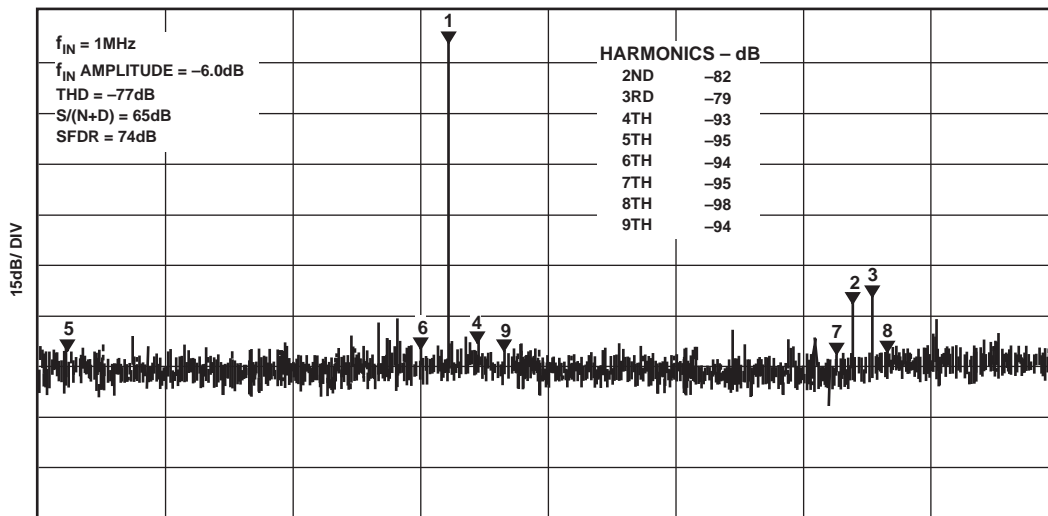


Figure 5. AD871 Typical FFT, $f_{IN} = 1$ MHz, f_{IN} Amplitude = -6 dB

AD871—Dynamic Characteristics—Sample Rate: 5 MSPS

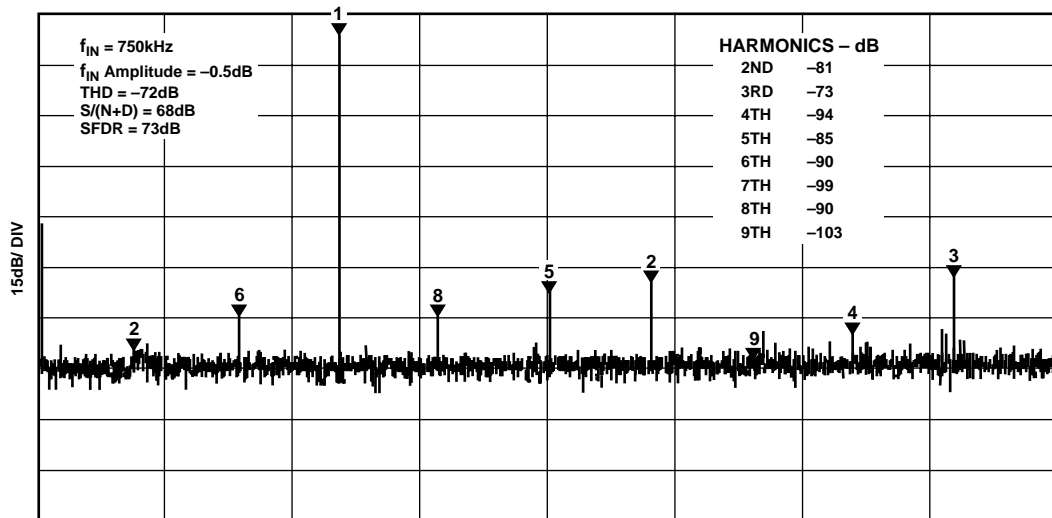


Figure 6. AD871 Typical FFT, f_{IN} = 750 kHz

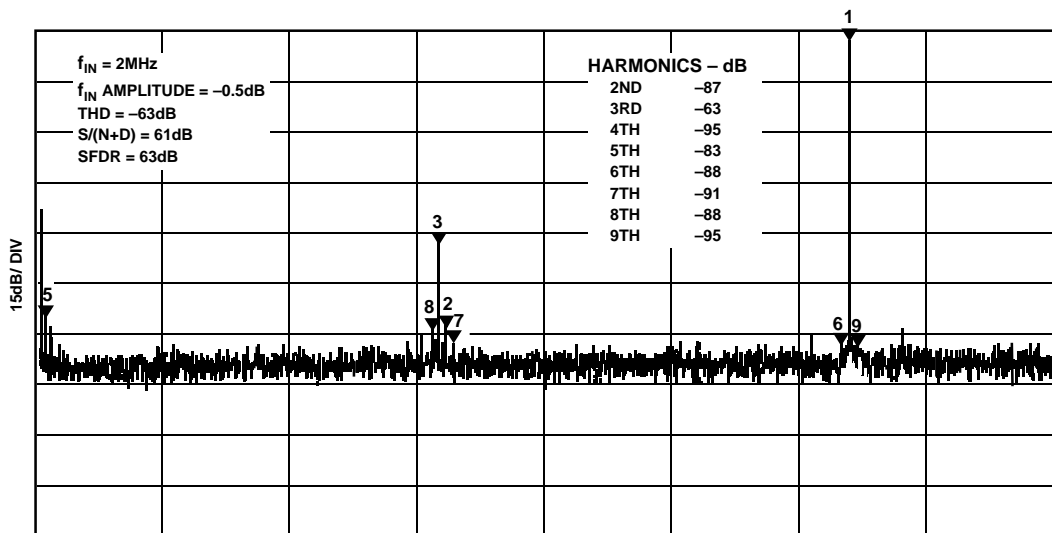


Figure 7. AD871 Typical FFT, f_{IN} = 2 MHz

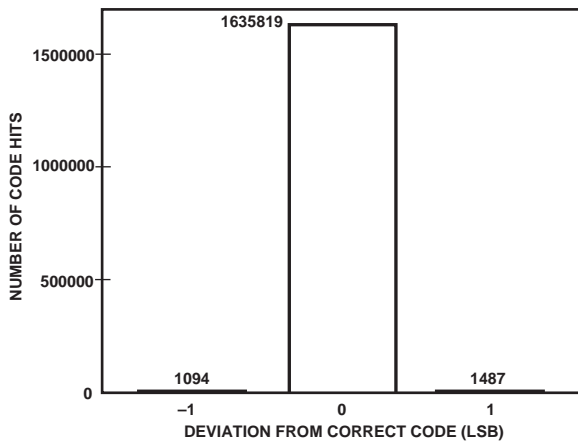


Figure 8. AD871 Output Code Histogram for DC Input

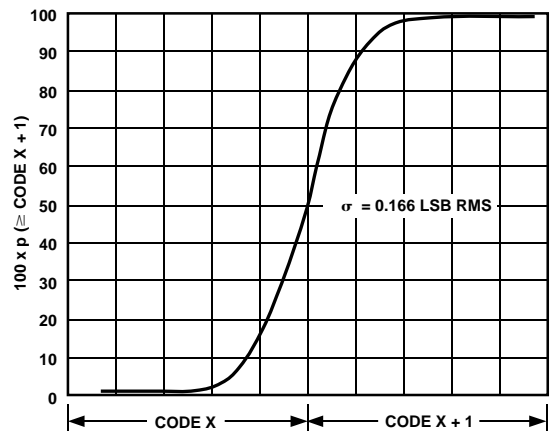


Figure 9. AD871 Code Probability at a Transition

THEORY OF OPERATION

The AD871 is implemented using a 4-stage pipelined multiple flash architecture. A differential input track-and-hold amplifier (THA) acquires the input and converts the input voltage into a differential current. A 4-bit approximation of the input is made by the first flash converter, and an accurate analog representation of this 4-bit guess is generated by a digital-to-analog converter. This approximation is subtracted from the THA output to produce a remainder, or residue. This residue is then sampled and held by the second THA, and a 4-bit approximation is generated and subtracted by the second stage. Once the second THA goes into hold, the first stage goes back into track to acquire a new input signal. The third stage provides a 3-bit approximation/subtraction operation, and produces the final residue, which is passed to a final 4-bit flash converter. The 15 output bits from the four flash converters are accumulated in the correction logic block, which adds the bits together using the appropriate correction algorithm, to produce the 12-bit output word. The digital output, together with overrange indicator, is latched into an output buffer to drive the output pins.

The additional THA inserted in each stage of the AD871 architecture allows pipelining of the conversion. In essence, the converter is simultaneously converting multiple inputs serially, processing them through the converter chain. This means that while the converter is capable of capturing a new input sample every clock cycle, it actually takes three clock cycles for the conversion to be fully processed and appear at the output. This “pipeline delay” is often referred to as latency, and is not a concern in most applications; however, there are some cases where it may be a consideration. For example, some applications call for the A/D converter to be placed in a high speed feedback loop, where its input is servoed to provide a desired result at the digital output (e.g., offset calibration or zero restoration in video applications). In these cases the 3 clock cycle delay through the pipeline must be accounted for in the loop stability calculations. Also, because the converter is simultaneously working on three conversions, major disruptions to the part (such as a large glitch on the supplies or reference) may corrupt three data samples. Finally, there will be a minimum clock rate below which the THA droop corrupts the signal in the pipeline. In the case of the AD871, this minimum clock rate is 10 kHz.

The high impedance differential inputs of the AD871 allow a variety of input configurations (see Applying the AD871). The AD871 converts the voltage difference between the V_{INA} and V_{INB} pins. For single-ended applications, one input pin (V_{INA} or V_{INB}) may be grounded, but even in this case the differential input can provide a performance boost: for example, for an input coming from a coaxial cable, V_{INB} can be tied to the shield ground, allowing the AD871 to reject shield noise as common mode. The high input impedance of the device minimizes external driving requirements and allows the user to externally select the appropriate termination impedance for the application.

The AD871 clock circuitry uses both edges of the clock in its internal timing circuitry (see Specifications page for exact timing requirements.) The AD871 samples the analog input on the rising edge of the clock input. During the clock low time (between the falling edge and rising edge of the clock) the input THA is in track mode; during the clock high time it is in hold. System disturbances just prior to the rising edge of the clock may cause the part to acquire the wrong value, and should be minimized.

While the part uses both clock edges for its timing, jitter is only a significant issue for the rising edge of the clock (see CLOCK INPUT section).

APPLYING THE AD871

ANALOG INPUTS

The AD871 features a high impedance differential input that can readily operate on either single-ended or differential input signals. Table I summarizes the nominal input voltage span for both single-ended and differential modes, assuming a 2.5 V reference input.

Table I. Input Voltage Span

	V_{INA}	V_{INB}	$V_{INA}-V_{INB}$
Single-Ended	+1 V	GND	+1 V (Positive Full Scale)
	-1 V	GND	-1 V (Negative Full Scale)
Differential	+0.5 V	-0.5 V	+1 V (Positive Full Scale)
	-0.5 V	+0.5 V	-1 V (Negative Full Scale)

Figure 10 shows an approximate model for the analog input circuit. As this model indicates, when the input exceeds 1.6 V (with respect to AGND), the input device may saturate, causing the input impedance to drop substantially and significantly reducing the performance of the part. Input compliance in the negative direction is somewhat larger, showing virtually no degradation in performance for inputs as low as -1.9 V.

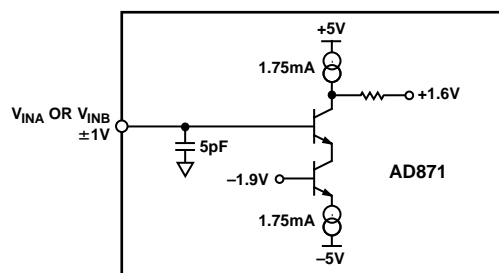


Figure 10. AD871 Equivalent Analog Input Circuit

Figure 11 illustrates the effect of varying the common-mode voltage of a -0.5 dB input signal on total harmonic distortion.

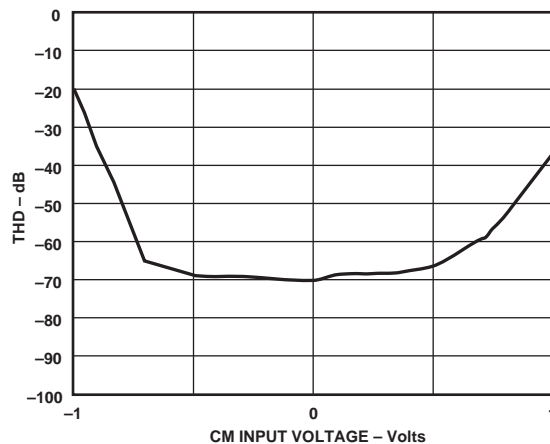


Figure 11. AD871 Total Harmonic Distortion vs. CM Input Voltage, $f_{IN} = 1$ MHz, $FS = 5$ MSPS

AD871

Figure 12 shows the common-mode rejection performance vs. frequency for a 1 V p-p common-mode input. This excellent common-mode rejection over a wide bandwidth affords the user the opportunity to eliminate many potential sources of input noise as common mode by using the differential input structure of the AD871.

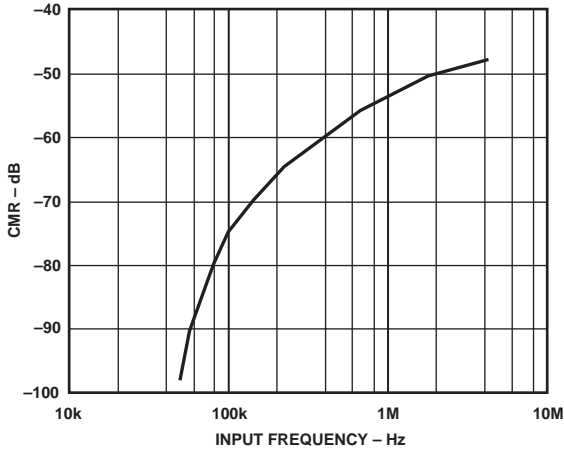


Figure 12. Common-Mode Rejection vs. Input Frequency, 1 V p-p Input

Figures 13 and 14 illustrate typical input connections for single ended inputs.

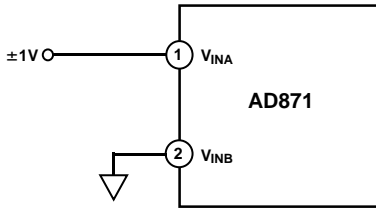


Figure 13. AD871 Single-Ended Input Connection

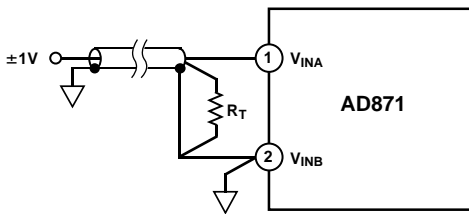


Figure 14. AD871 Single-Ended Input Connection Using a Shielded Cable

The cable shield is used as the ground connection for the V_{INB} input, providing the best possible rejection of the cable noise from the input signal. Note also that the high input impedance of the AD871 allows the user to select the termination impedance, be it 50 ohms, 75 ohms, or some other value. Furthermore, unlike many flash converters, most AD871 applications will not require an external buffer amplifier. If such an amplifier is required, we suggest either the AD811 or AD9617.

Figure 15 illustrates how external amplifiers may be used to convert a single-ended input into a differential signal. The resistor values of 536 Ω and 562 Ω were selected to provide optimum phase matching between U1 and U2.

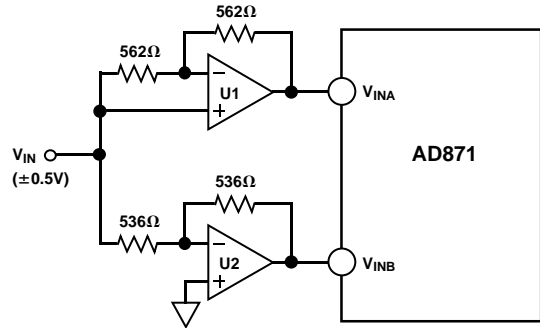


Figure 15. Single-Ended to Differential Connections; U1, U2 = AD811 or AD9617

The use of the differential input signal can help to minimize even-order distortion from the input THA where performance beyond -70 dB is desired.

Figure 16 shows the AD871 large signal (-0.5 dB) and small signal (-20 dB) frequency response.

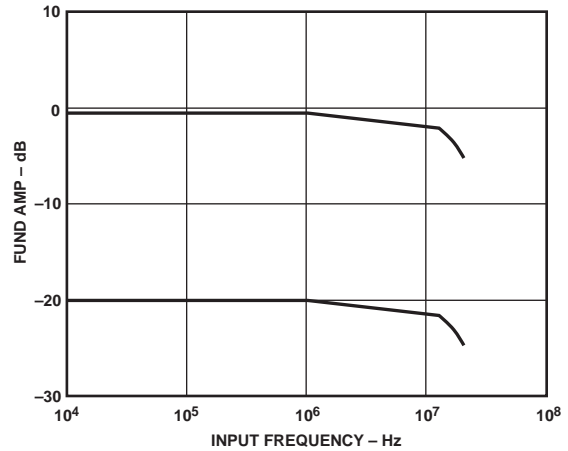


Figure 16. Full Power (-0.5 dB) and Small Signal Response (-20 dB) vs. Input Frequency

The AD871's wide input bandwidth facilitates rapid acquisition of transient input signals: the input THA can typically settle to 12-bit accuracy from a full-scale input step in less than 80 ns. Figure 17 illustrates the typical acquisition of a full-scale input step.

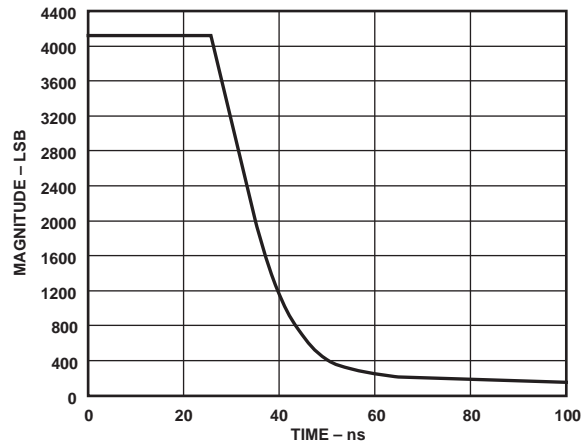


Figure 17. Typical AD871 Settling Time

The wide input bandwidth and superior dynamic performance of the input THA make the AD871 suitable for sampling inputs at frequencies up to the Nyquist Rate. The input THA is designed to recover rapidly from input overdrive conditions, returning from a 50% overdrive in less than 100 ns.

Because of the THA's exceptionally wide input bandwidth, some users may find the AD871 is sensitive to noise at frequencies from 10 MHz to 50 MHz that other converters are incapable of responding to. This sensitivity can be mitigated by careful use of the differential inputs (see previous paragraphs). Additionally, Figure 18 shows how a small capacitor (10 pF – 20 pF for 50 Ω terminated inputs) may be placed between V_{INA} and V_{INB} to help reduce high frequency noise in applications where limiting the input bandwidth is acceptable.

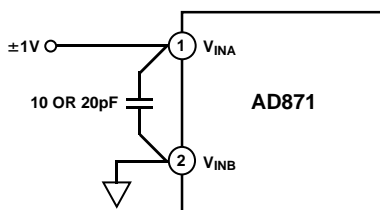


Figure 18. Optional High Frequency Noise Reduction

The AD871 will contribute its own wideband thermal noise. As a result of the integrated wideband noise (0.17 LSB rms, referred-to-input), applying a dc analog input may produce more than one code at the output. A histogram of the ADC output codes, for a dc input voltage, will be between 1 and 3 codes wide, depending on how well the input is centered on a given code and how many samples are taken. Figure 8 shows a typical AD871 code histogram, and Figure 9 illustrates the AD871's transition noise.

REFERENCE INPUT

The nominal reference input should be 2.5 V, taken with respect to REFERENCE GROUND (REF GND). Figure 19 illustrates the equivalent model for the reference input: there is no clock or signal-dependent activity associated with the reference input circuitry, therefore no “kickback” into the reference.

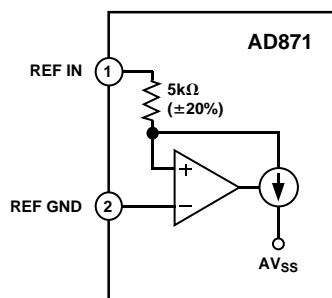


Figure 19. Equivalent Reference Input Circuit

However, in order to realize the lowest noise performance of the AD871, care should be taken to minimize noise at the reference input.

The AD871's reference input impedance is equal to 5 k Ω ($\pm 20\%$), and its effective noise bandwidth is 10 MHz, with a referred-to-input noise gain of 0.8. For example, the internal reference,

with an rms noise of 28 μ V (using an external 1 μ F capacitor), contributes 24 μ V (0.05 LSB) of noise to the transfer function of the AD871.

The full-scale peak-to-peak input voltage is a function of the reference voltage, according to the equation:

$$(V_{INA} - V_{INB}) \text{ Full Scale} = 0.8 \times (V_{REF} - REF \text{ GND})$$

Note that the AD871's performance was optimized for a 2.5 V reference input: performance may degrade somewhat for other reference voltages. Figure 20 illustrates the S/(N+D) performance vs. reference voltage for a 1 MHz, -0.5 dB input signal. Note also that if the reference is changed during a conversion, all three conversions in the pipeline will be invalidated.

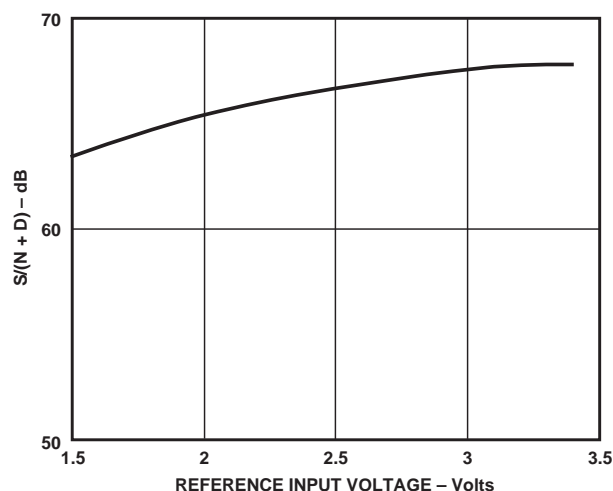


Figure 20. S/(N+D) vs. Reference Input Voltage, $f_{IN} = 1 \text{ MHz}$, $FS = 5 \text{ MHz}$

Table II summarizes various 2.5 V references suitable for use with the AD871, including the onboard bandgap reference (see REFERENCE OUTPUT section).

Table II. Suitable 2.5 V References

	Drift (PPM/°C)	Initial Accuracy %
REF-43B	6 (max)	0.2
AD680JN	10 (max)	0.4
Internal	30 (typ)	0.4

If an external reference is connected to REF IN, REF OUT must be connected to +5 V. This should lower the current in REF GND to less than 350 μ A and eliminate the need for a 1 μ F capacitor, although decoupling the reference for noise reduction purposes is recommended.

Alternatively, Figure 21 shows how the AD871 may be driven from other references by use of an external resistor. The external resistor forms a resistor divider with the on-chip 5 k Ω resistor to realize 2.5 V at the reference input pin (REF IN). A trim potentiometer is needed to accommodate the tolerance of the AD871's 5 k Ω resistor.

AD871

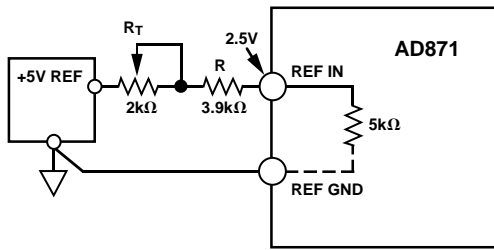


Figure 21. Optional +5 V Reference Input Circuit

REFERENCE GROUND

The REF GND pin provides the reference point for both the reference input and the reference output. When the internal reference is operating, it will draw approximately 500 μA of current through the reference ground, so a low impedance path to the external common is desirable. The AD871 can tolerate a fairly large difference between REF GND and AGND, up to $\pm 1\text{ V}$, without any performance degradation.

REFERENCE OUTPUT

The AD871 features an onboard, curvature compensated band-gap reference that has been laser trimmed for both absolute value and temperature drift. The output stage of the reference was designed to allow the use of an external capacitor to limit the wideband noise. As Figure 22 illustrates, a 1 μF capacitor on the reference output is required for stability of the reference output buffer. Note: If used, an external reference may become unstable with this capacitor in place.

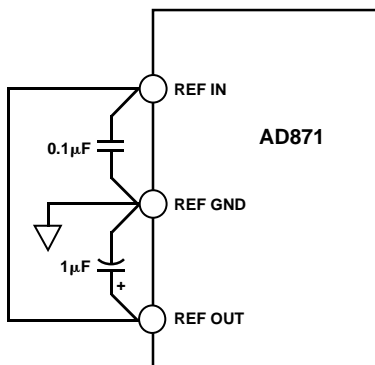


Figure 22. Typical Reference Decoupling Connection

With this capacitor in place, the noise on the reference output is approximately 28 μV rms at room temperature. Figure 23 shows the typical temperature drift performance of the reference, while Figure 24 illustrates the variation in reference voltage with load currents.

The output stage is designed to provide at least 2 mA of output current, allowing a single reference to drive up to four AD871s or other external loads. The power supply rejection of the reference is better than 54 dB at dc.

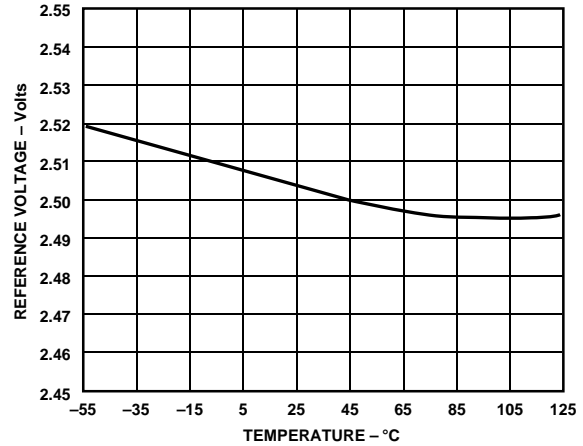


Figure 23. Reference Output Voltage vs. Temperature

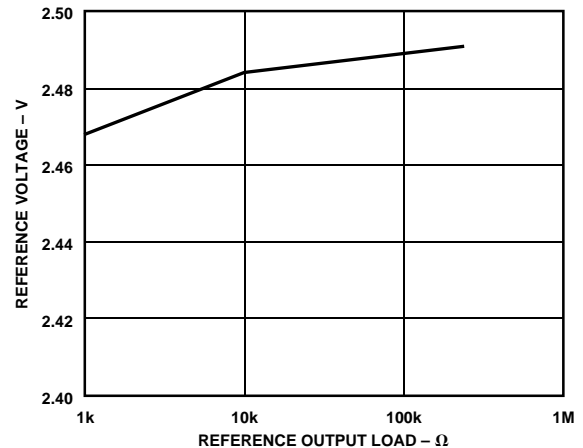


Figure 24. Reference Output Voltage vs. Output Load

DIGITAL OUTPUTS

In 28-lead packages, the AD871 output data is presented in twos complement format. Table III indicates offset binary and twos complement output for various analog inputs.

Table III. Output Data Format

Analog Input $V_{\text{INA}} - V_{\text{INB}}$	Digital Output		
	Offset Binary	Twos Complement	OTR
$\geq 0.999756\text{ V}$	1111 1111 1111	0111 1111 1111	1
0.999268 V	1111 1111 1111	0111 1111 1111	0
0 V	1000 0000 0000	0000 0000 0000	0
-1 V	0000 0000 0000	1000 0000 0000	0
-1.000244 V	0000 0000 0000	1000 0000 0000	1

Users requiring offset binary encoding may simply invert the $\overline{\text{MSB}}$ pin. In the 44-terminal surface mount packages, both $\overline{\text{MSB}}$ and $\overline{\text{MSB}}$ bits are provided.

The AD871 features a digital out-of-range (OTR) bit that goes high when the input exceeds positive full scale or falls below negative full scale. As Table III indicates, the output bits will be set appropriately according to whether it is an out-of-range high condition or an out-of-range low condition. Note that if the input is driven beyond +1.5 V, the digital outputs may not stay at +FS, but may actually fold back to midscale.

The AD871's CMOS digital output drivers are sized to provide sufficient output current to drive a wide variety of logic families. However, large drive currents tend to cause glitches on the supplies and may affect $S/(N+D)$ performance. Applications requiring the AD871 to drive large capacitive loads or large fanout may require additional decoupling capacitors on DRV_{DD} and DV_{DD} . In extreme cases, external buffers or latches could be used.

THREE-STATE OUTPUTS

The 44-terminal surface mount AD871 offers three-state outputs. The digital outputs can be placed into a three-state mode by pulling the OUTPUT ENABLE (OEN) pin LOW. Note that this function is not intended to be used to pull the AD871 on and off a bus at 5 MHz. Rather, it is intended to allow the ADC to be pulled off the bus for evaluation or test modes. Also, to avoid corruption of the sampled analog signal during conversion (three clock cycles), it is highly recommended that the AD871 be placed on the bus prior to the first sampling.

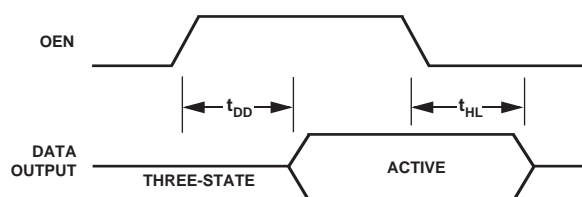


Figure 25. Three-State Output Timing Diagram

For timing budgetary purposes, the typical access and float delay times for the AD871 are 50 ns.

CLOCK INPUT

The AD871 internal timing control uses the two edges of the clock input to generate a variety of internal timing signals. The optimal clock input should have a 50% duty cycle; however, sensitivity to duty cycle is significantly reduced for clock rates of less than 5 megasamples per second.

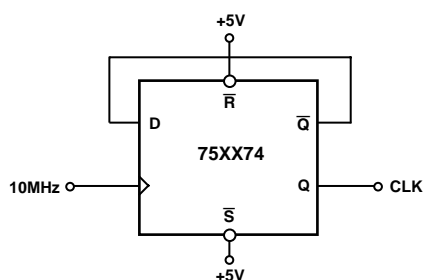


Figure 26. Divide-by-Two Clock Circuit

Due to the nature of on-chip compensation circuitry, the duty cycle should be maintained between 40% and 60%, even for clock rates less than 5 MSPS. One way to realize a 50% duty cycle clock is to divide down a clock of higher frequency, as shown in Figure 26.

In this case, a 10 MHz clock is divided by 2 to produce the 5 MHz clock input for the AD871. In this configuration, the duty cycle of the 10 MHz clock is irrelevant.

The input circuitry for the CLKIN pin is designed to accommodate both TTL and CMOS inputs. The quality of the logic input, particularly the rising edge, is critical in realizing the best possible jitter performance for the part: the faster the rising edge, the better the jitter performance.

As a result, careful selection of the logic family for the clock driver, as well as the fanout and capacitive load on the clock line, is important. Jitter-induced errors become more pronounced at higher frequency, large amplitude inputs, where the input slew rate is greatest.

The AD871 is designed to support a sampling rate of 5 MSPS; running at slightly faster clock rates may be possible, although at reduced performance levels. Conversely, some slight performance improvements might be realized by clocking the AD871 at slower clock rates. Figure 27 presents the $S/(N+D)$ vs. clock frequency for a 1 MHz analog input.

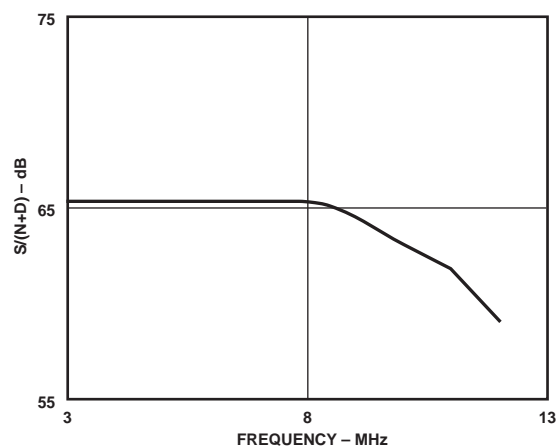


Figure 27. Typical $S/(N+D)$ vs. Clock Frequency
 $f_{IN} = 1 \text{ MHz}$, Full-Scale Input

The power dissipated by the correction logic and output buffers is largely proportional to the clock frequency; running at reduced clock rates provides a slight reduction in power consumption. Figure 28 illustrates this tradeoff.

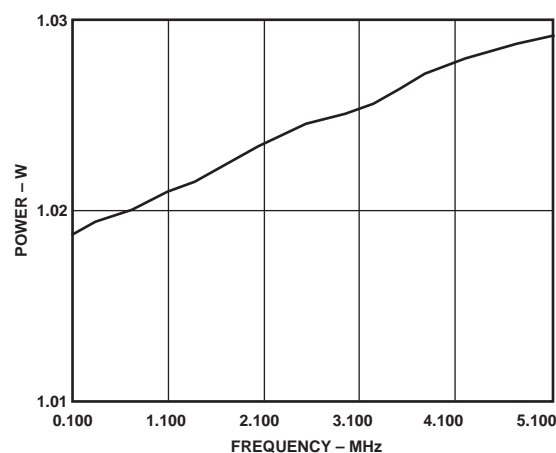


Figure 28. Typical Power Dissipation vs. Clock Frequency

ANALOG SUPPLIES AND GROUNDS

The AD871 features separate analog and digital supply and ground pins, helping to minimize digital corruption of sensitive analog signals. In general, AV_{SS} and AV_{DD} , the analog supplies, should be decoupled to AGND, the analog common, as close to the chip as physically possible. Care has been taken to minimize the signal dependence of the power supply currents; however, the analog supply currents will be proportional to the reference input. With REFIN at 2.5 V, the typical current into AV_{DD} is

AD871

82 mA, while the typical current out of AV_{SS} is 115 mA. Typically, 33 mA will flow into the AGND pin.

Careful design and the use of differential circuitry provide the AD871 with excellent rejection of power supply noise over a wide range of frequencies, as illustrated in Figure 29.

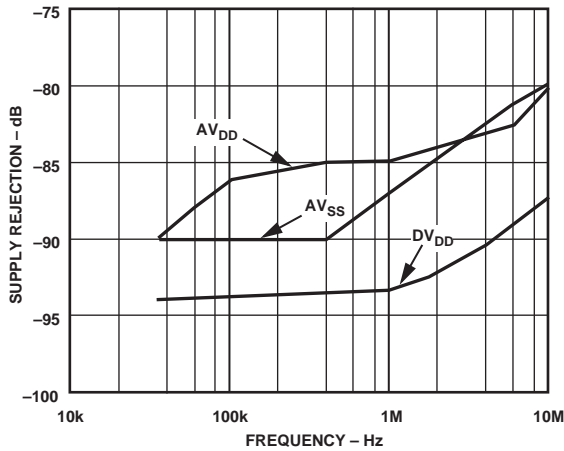


Figure 29. Power Supply Rejection vs. Frequency, 100 mV p-p Signal on Power Supplies

Figure 30 shows the degradation in SNR resulting from 100 mV of power supply ripple at various frequencies. As Figure 30 shows, careful decoupling is required to realize the specified dynamic performance. Figure 34 demonstrates the recommended decoupling strategy for the supply pins. Note that in extremely noisy environments, a more elaborate supply filtering scheme may be necessary.

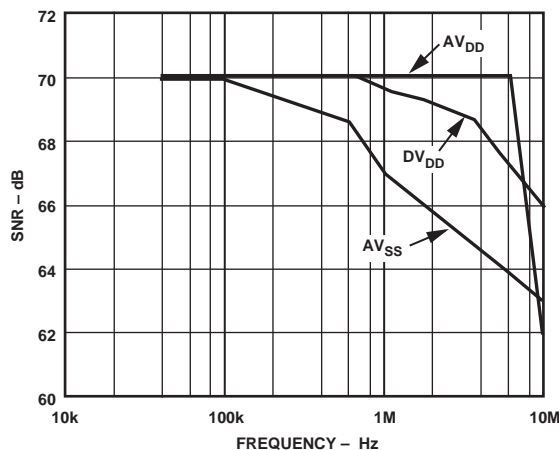


Figure 30. SNR vs. Supply Noise Frequency ($f_{IN} = 1 \text{ MHz}$)

DIGITAL SUPPLIES AND GROUNDS

The digital activity on the AD871 chip falls into two general categories: CMOS correction logic, and CMOS output drivers. The internal correction logic draws relatively small surges of current, mainly during the clock transitions; in the 44-terminal package, these currents flow through pins DGND and DV_{DD} . The output drivers draw large current impulses while the output bits are changing. The size and duration of these currents is a

function of the load on the output bits: large capacitive loads are to be avoided. In the 44-terminal package, the output drivers are supplied through dedicated pins $DRGND$ and DRV_{DD} . Pin count constraints in the 28-lead packages require that the digital and driver supplies share package pins (although they have separate bond wires and on-chip routing). The decoupling shown in Figure 34 is appropriate for a reasonable capacitive load on the digital outputs (typically 20 pF on each pin). Applications involving greater digital loads should consider increasing the digital decoupling proportionately, and/or using external buffers/latches.

APPLICATIONS

OPTIONAL ZERO AND GAIN TRIM

The AD871 is factory trimmed to minimize zero error, gain error and linearity errors. In some applications the zero and gain errors of the AD871 need to be externally adjusted to zero. If required, both zero error and gain error can be trimmed with external potentiometers as shown in Figure 31. Note that gain error adjustments must be made with an external reference.

Zero trim should be adjusted first. Connect V_{INA} to ground and adjust the 10 k Ω potentiometer so that a nominal digital output code of 0000 0000 0000 (twos complement output) exists. Note that the zero trim should be decoupled and that the accuracy of the $\pm 2.5 \text{ V}$ reference signals will directly affect the offset.

Gain error may then be calibrated by adjusting the REF IN voltage. The REF IN voltage should be adjusted such that a +1 V input on V_{INA} results in the digital output code 01111 1111 1111 (twos complement output).

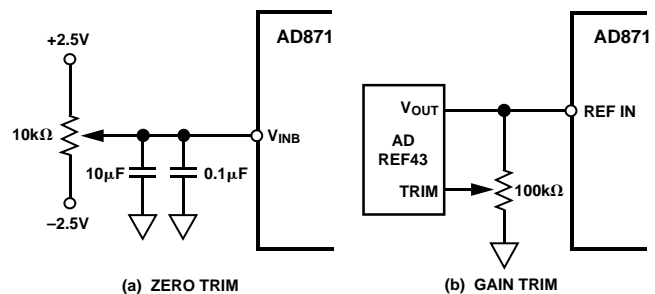


Figure 31. Zero and Gain Error Trims

DIGITAL OFFSET CORRECTION

The AD871 provides differential inputs that may be used to correct for any offset voltages on the analog input. For applications where the input signal contains a dc offset, it may be advantageous to apply a nulling voltage to the V_{INB} input. Applying a voltage equal to the dc offset will maximize the full-scale input range and therefore the dynamic range. Offsets ranging from -0.7 V to $+0.5 \text{ V}$ can be corrected.

Figure 32 shows how a dc offset can be applied using the AD568 12-bit, high speed digital-to-analog converter (DAC). This circuit can be used for applications requiring offset adjustments on every clock cycle. The AD568 connection scheme is used to provide a -0.512 V to $+0.512 \text{ V}$ output range. The offset voltage must be stable on the rising edge of the AD871 clock input.

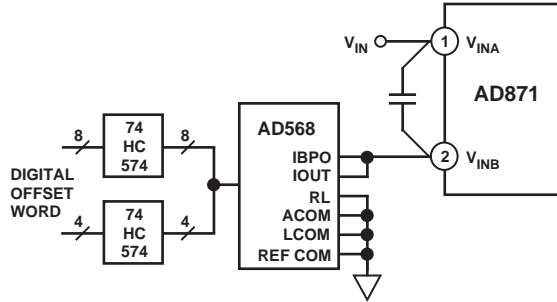


Figure 32. Offset Correction Using the AD568

UNDERSAMPLING USING THE AD871 AND AD9100

The AD871's on-chip THA optimizes transient response while maintaining low noise performance. For super-Nyquist (undersampling) applications it may be necessary to use an external THA with fast track-mode slew rate and hold mode settling time. An excellent choice for this application is the AD9100, an ultrahigh speed track-and-hold amplifier.

In order to maximize the spurious free dynamic range of the circuit in Figure 33, it is advantageous to present a small signal to the input of the AD9100 and then amplify the output to the AD871's full-scale input range. This can be accomplished with a low distortion, wide bandwidth amplifier such as the AD9617. The circuit uses a gain of 3.5 to optimize S/(N+D).

The peak performance of this circuit is obtained by driving the AD871 + AD9100 combination with a full-scale input. For small scale input signals (-20 dB, -40 dB), the AD871 performs better without the track-and-hold because slew-limiting effects are no longer dominant. To gain the advantages of the added track-and-hold, it is important to give the AD871 a full-scale input.

An alternative to the configuration presented above is to use the AD9101 track-and-hold amplifier. The AD9101 provides a built-in post amplifier with a gain of 4, providing excellent ac characteristics in conjunction with a high level of integration.

As illustrated in Figure 33, it is necessary to skew the AD871 sample clock and the AD9100 sample/hold control. Clock skew (t_s) is defined as the time starting at the AD9100's transition into hold mode and ending at the moment the AD871 samples. The AD871 samples on the rising edge of the sample clock, and the AD9100 samples on the falling edge of the sample/hold control. The choice of t_s is primarily determined by the settling time of the AD9100. The droop rate of the AD9100 must also be taken into consideration. Using these values, the ideal t_s is 17 ns. When choosing clock sources, it is extremely important that the front end track-and-hold sample/hold control is given a very low jitter clock source. This is not as crucial for the AD871 sample clock, because it is sampling a dc signal.

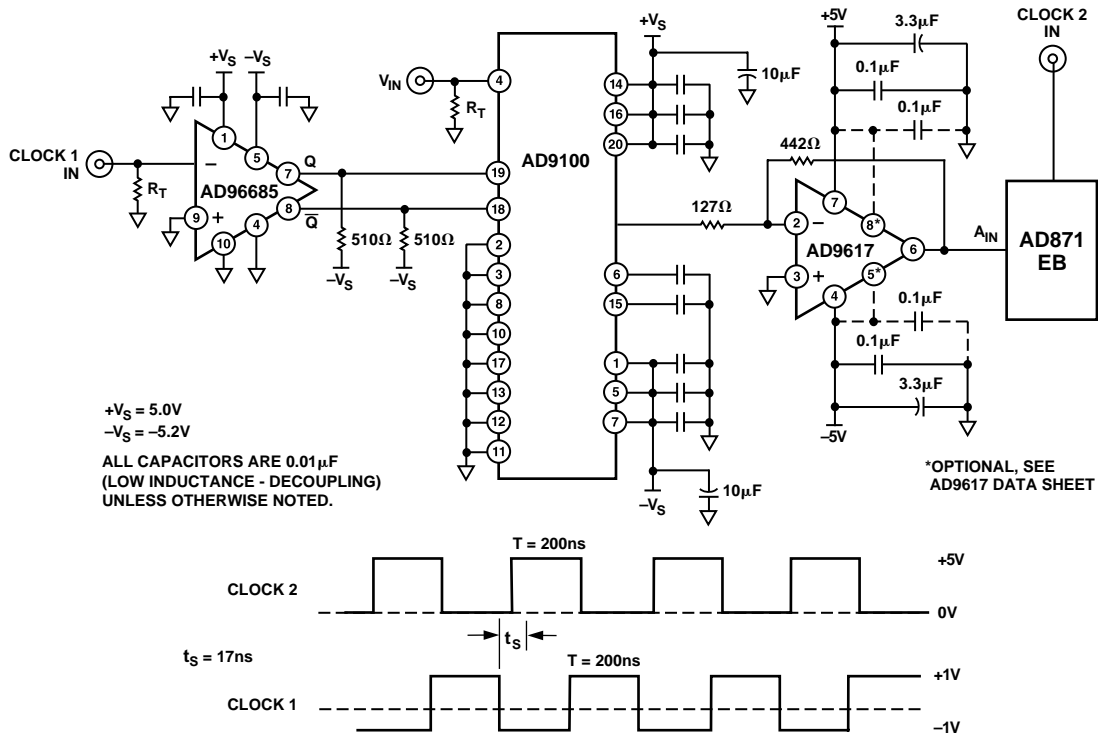


Figure 33. Undersampling Using the AD871 and AD9100

AD871

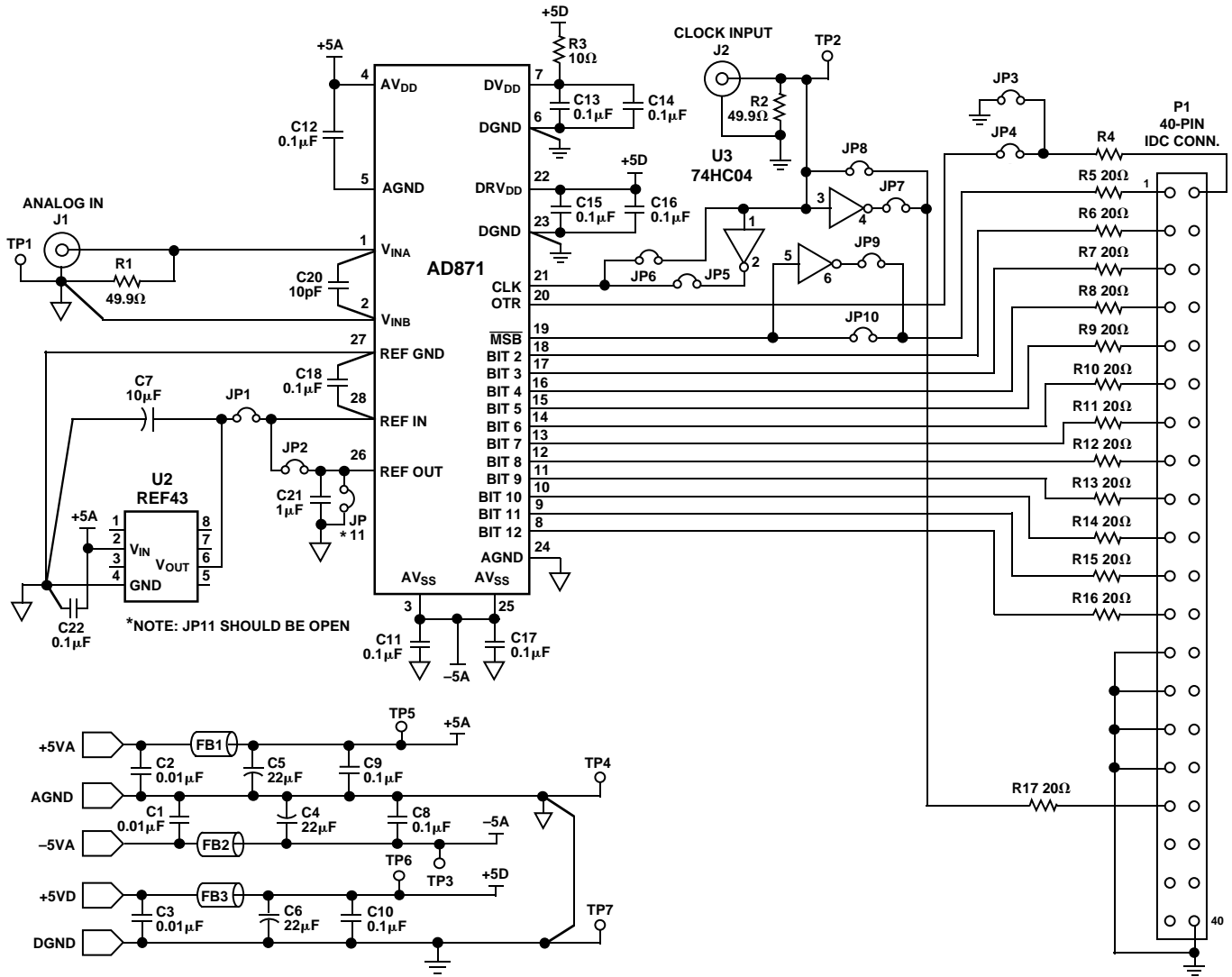


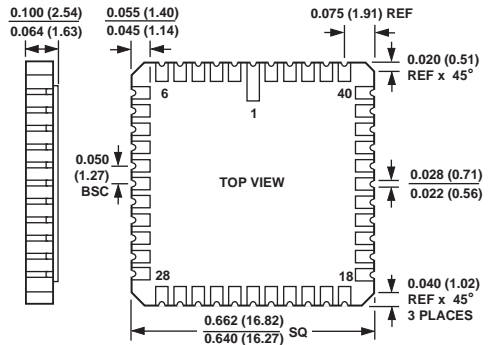
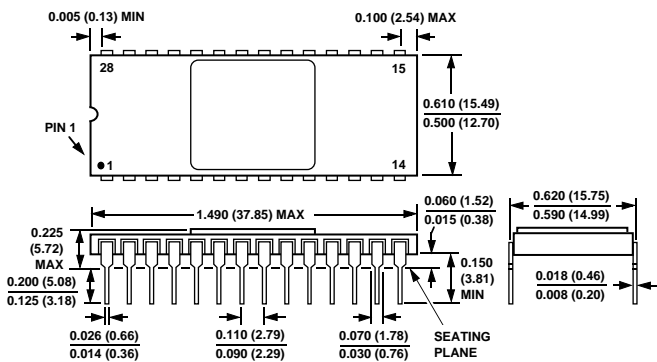
Figure 34. AD871/AD871 Evaluation Board Schematic

OUTLINE DIMENSIONS

Dimensions shown in inches and (mm).

28-Lead Side Brazed Ceramic DIP (D-28)

44-Terminal LCC (E-44A)



C:1848-0-11/97

PRINTED IN U.S.A.